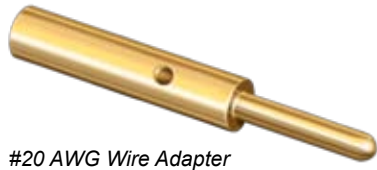


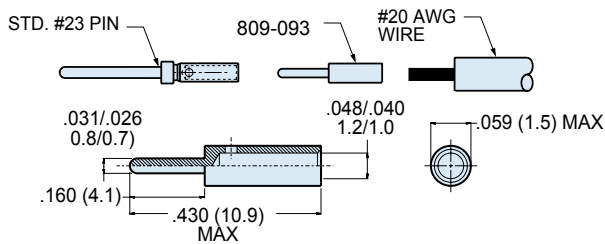
## Adapter for Crimping #20 AWG Wire to Size #23 Series 79 Contacts

Size #22 AWG wire is the largest wire size that fits standard size 23 contacts. Use this adapter to attach larger #20 gage wire. First, crimp wire to adapter, then crimp the adapter into the size #23 contact. Adapters are made of tellurium copper alloy #1452, and are gold plated. Crimp with M22520/1-01 tool and 809-138 (Daniels TH653) positioner. These adapters cannot be removed from connectors.

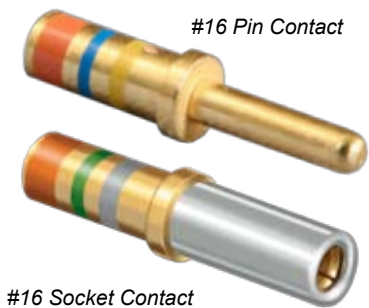


#20 AWG Wire Adapter

Adapter Size	Wire Size	Part Number	Tool Code
#22-20	#20	<b>809-093</b>	I, K



## Size #16 Power Contacts, Crimp Termination

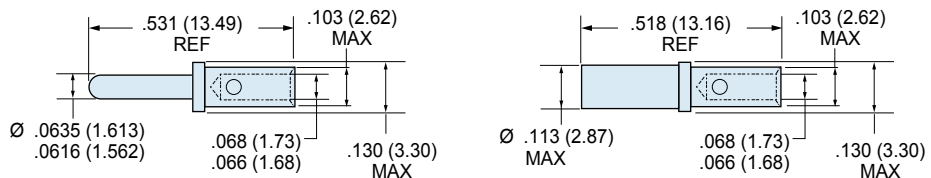


#16 Pin Contact

#16 Socket Contact

Standard size #16 contacts accept #16 to #20 AWG wire. At rated test current of 13 amps, the maximum voltage drop is 74 millivolts. Contacts are gold-plated copper alloy. Socket contacts feature stainless steel hoods to protect against probe damage. Approved to SAE-AMS-39029. Contacts are bulk packaged. Terminate with M22520/1-01 crimper and M22520/1-04 positioner.

Contact Type	Wire Size	Part Number	Military Part Number	Color Band			Tool Code
				1st	2nd	3rd	
Pin	#16 - #20	<b>809-110</b>	M39029/58-364	Orange	Blue	Yellow	I, J
Socket	#16 - #20	<b>809-111</b>	M39029/57-358	Orange	Green	Gray	I, J



## Size #12 Power Contacts, Crimp Termination

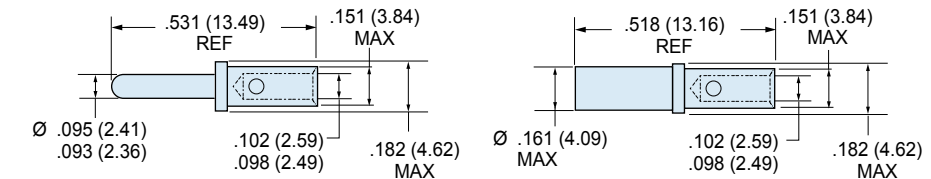


#12 Pin Contact

#12 Socket Contact

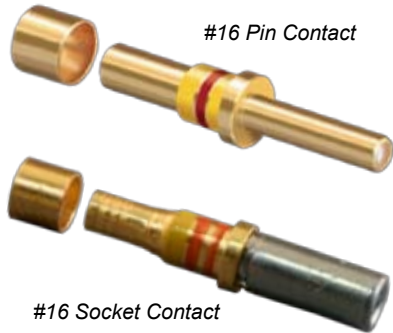
Standard size #12 contacts accept #12 to #14 AWG wire. At rated test current of 23 amps, the maximum voltage drop is 63 millivolts. Contacts are gold-plated copper alloy. Socket contacts feature stainless steel hoods to protect against probe damage. Approved to SAE AS39029. Contacts are bulk packaged. Terminate with M22520/1-01 crimper and M22520/1-04 positioner.

Contact Type	Wire Size	Part Number	Military Part Number	Color Band			Tool Code
				1st	2nd	3rd	
Pin	#12 - #14	<b>809-112</b>	M39029/58-365	Orange	Blue	Green	I, J
Socket	#12 - #14	<b>809-113</b>	M39029/57-359	Orange	Green	White	I, J



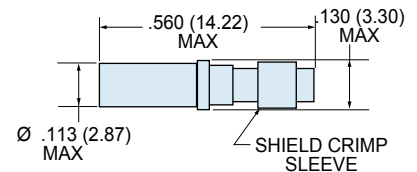
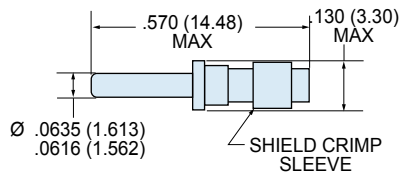
Dimensions in inches (millimeters) and are subject to change without notice.

## Size #16 Coaxial Contacts, Crimp Termination

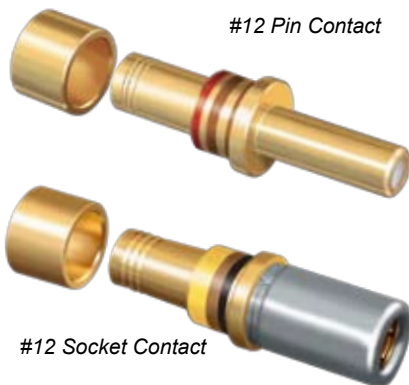


These #16 contacts accept 50 ohm and 75 ohm coaxial cable. Inner contact is rated at 1 amp, the outer contact 12 amps. DWV voltage rating is 800 Vac rms sea level, 250 Vac at 50,000 feet. Contacts are packaged individually and are unassembled with instruction sheet. One contact consists of outer contact, fluorocarbon dielectric, inner contact and shield crimp sleeve. Inner and outer contacts are gold-plated copper alloy. Approved to SAE AS39029. VSWR rating 1.5:1 maximum up to 700 MHz. 5000 megohm insulation resistance.

Type	Cable Size	Part Number	Military Part Number	Color Band			Tool Code
				1st	2nd	3rd	
Pin	RG174, RG316, RG179	<b>809-114</b>	M39029/76-424	Yellow	Red	Yellow	A, E, L, M
Pin	RG178	<b>809-115</b>	M39029/76-425	Yellow	Red	Green	A, E, L, M
Socket	RG174, RG316, RG179	<b>809-116</b>	M39029/78-432	Yellow	Orange	Red	A, E, L, M
Socket	RG178	<b>809-117</b>	M39029/78-433	Yellow	Orange	Orange	A, E, L, M

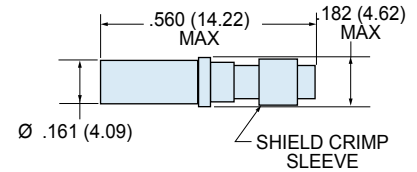
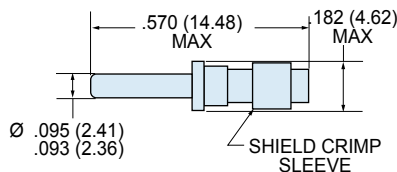


## Size #12 Coaxial Contacts, Crimp Termination



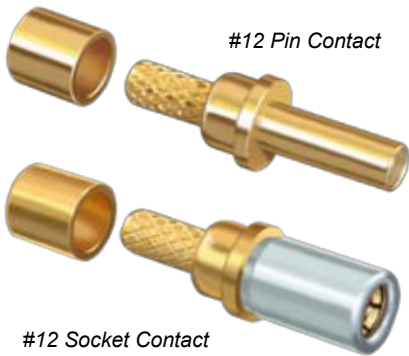
These #12 contacts accept 50 ohm and 75 ohm coaxial cable. Inner contact is rated at 1 amp, the outer contact 12 amps. DWV voltage rating is 1000 Vac rms sea level, 250 Vac at 50,000 feet. Contacts are packaged individually and shipped unassembled with instruction sheet. One contact consists of outer contact, fluorocarbon dielectric, inner contact and shield crimp sleeve. Inner and outer contacts are gold-plated copper alloy. Approved to SAE AS39029. VSWR rating 1.5:1 maximum up to 700 MHz. 5000 megohm insulation resistance.

Type	Cable Size	Part Number	Military Part Number	Color Band			Tool Code
				1st	2nd	3rd	
Pin	RG174, RG316, RG179	<b>809-118</b>	M39029/28-211	Red	Brown	Brown	A, G, N, O
Pin	RG180	<b>809-119</b>	M39029/28-409	Yellow	Black	White	A, G, N, O
Socket	RG174, RG316, RG179	<b>809-120</b>	M39029/27-210	Red	Brown	Black	A, G, N, O
Socket	RG180	<b>809-121</b>	M39029/27-402	Yellow	Black	Red	A, G, N, O



Dimensions in inches (millimeters) and are subject to change without notice.

Size #12, 50 Ohm Matched Impedance Coaxial Contacts



These contacts offer improved frequency response compared to standard coaxial contacts above. VSWR is 1.32:1 at 3GHz. Nominal impedance is 50 ohms. Insertion loss at 3GHz is 0.20 dB maximum. Inner contact is rated at 1 amp, the outer contact 12 amps. DWV voltage rating is 1000 Vac rms sea level, 250 Vac at 50,000 feet. Contacts are packaged individually and shipped unassembled with instruction sheet. One contact consists of outer contact, fluorocarbon dielectric, inner contact and shield crimp sleeve. Inner and outer contacts are gold-plated copper alloy. 5000 megohm insulation resistance. Terminate crimp type coaxial center contact with hand tool 809-128 (Daniels MH992). Terminate cable braid to contact with 809-129 (Daniels HX4) parallel action crimp tool and 809-120 (Daniels Y196) hex die.

Contact Type	Cable Type	Part Number	Termination	Fig.	Tool Code
Pin	RG178	<b>809-123</b>	Crimp	1	B, F, P, Q
Pin	M17/113-RG316	<b>852-016-01</b>	Crimp	1	B, H, P, Q
Pin	M17/152-00001(RG316DS)	<b>852-016-02</b>	Crimp	1	B, H, P, Q
Pin	TFLEX-405	<b>852-018</b>	Solder	2	(No Tool)
Socket	RG178	<b>809-122</b>	Crimp	3	B, F, P, Q
Socket	M17/113-RG316	<b>852-015-01</b>	Crimp	3	B, H, P, Q
Socket	M17/152-00001(RG316DS)	<b>852-015-02</b>	Crimp	3	B, H, P, Q
Socket	TFLEX-405	<b>852-017</b>	Solder	4	(No Tool)

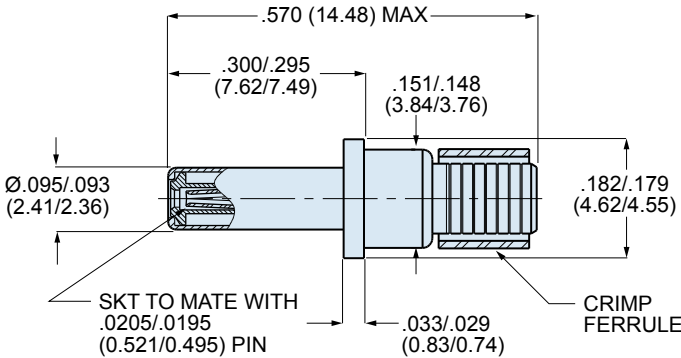


Figure 1

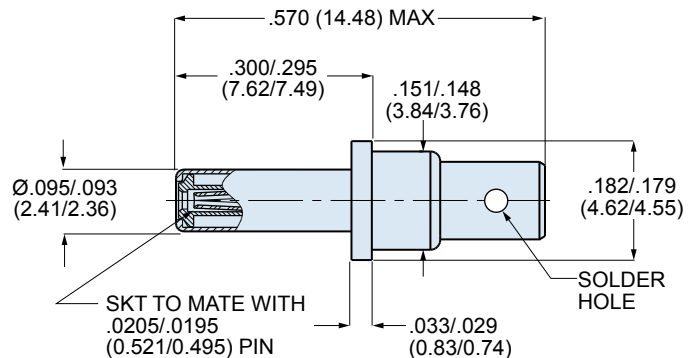


Figure 2

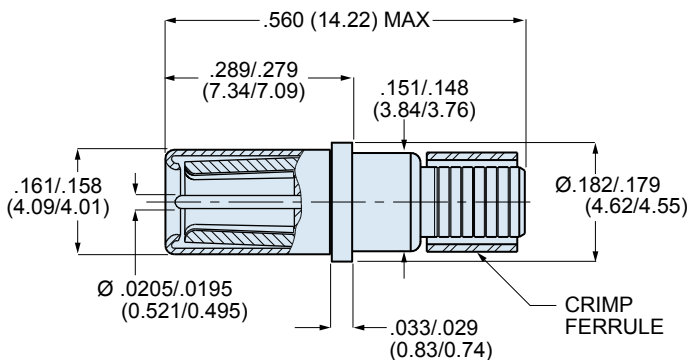


Figure 3

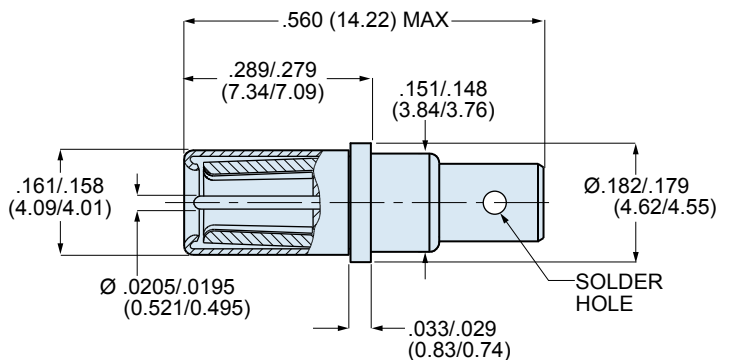


Figure 4

Dimensions in inches (millimeters) and are subject to change without notice.

# Mouser Electronics

Authorized Distributor

Click to View Pricing, Inventory, Delivery & Lifecycle Information:

[Glenair:](#)

[809-110](#) [809-111](#) [809-093](#)