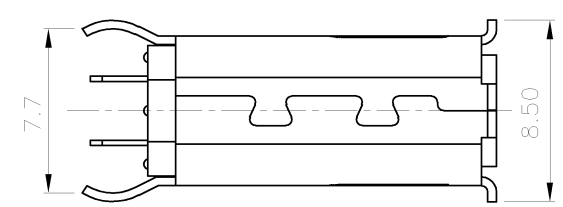
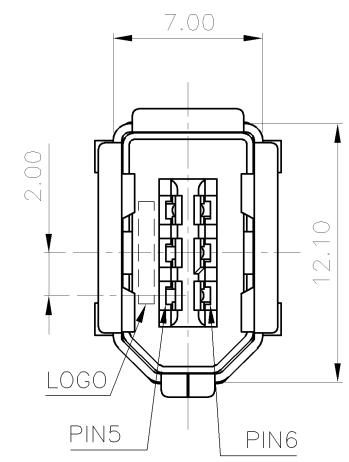
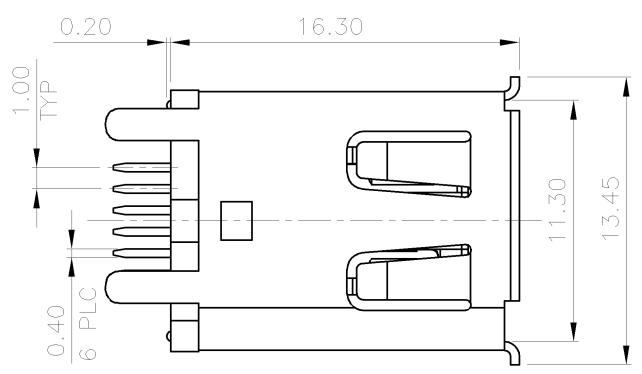
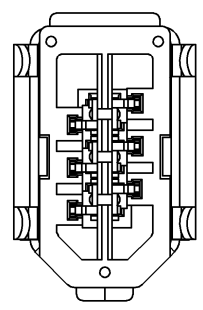
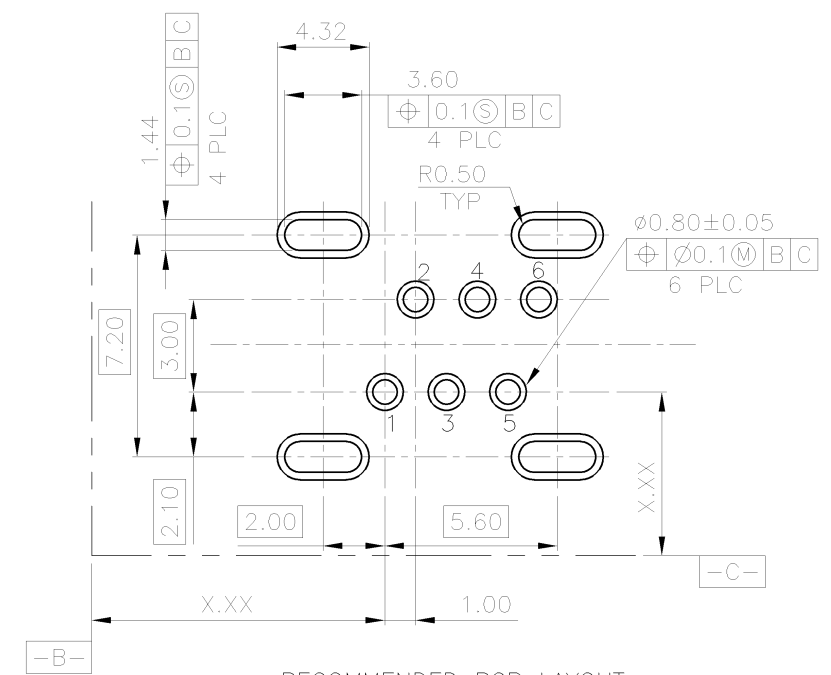
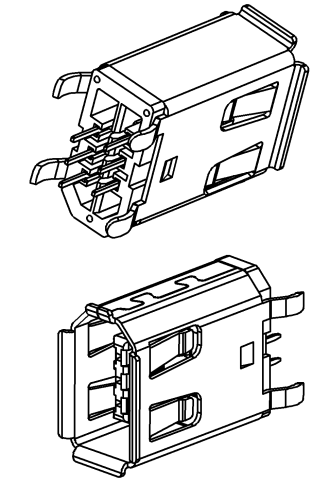
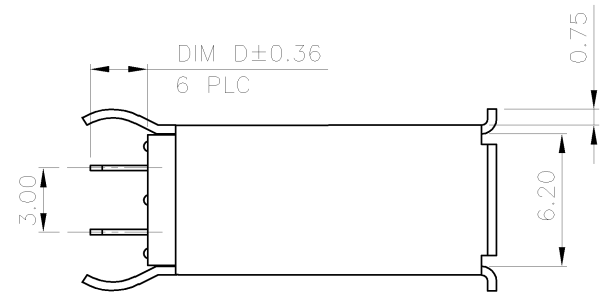


THIS DRAWING IS UNPUBLISHED. RELEASED FOR PUBLICATION
 © COPYRIGHT 2011 BY TYCO ELECTRONICS CORPORATION. ALL RIGHTS RESERVED.

| | | | | | |
|-----------|------|-------------------------|---------|-----|------|
| LOC DW | DIST | REVISIONS | | | |
| P | LTR | DESCRIPTION | DATE | DWN | APVD |
| C | | REVISED (ECR-13-012457) | 14AUG13 | JL | WK |



RECOMMENDED PCB LAYOUT

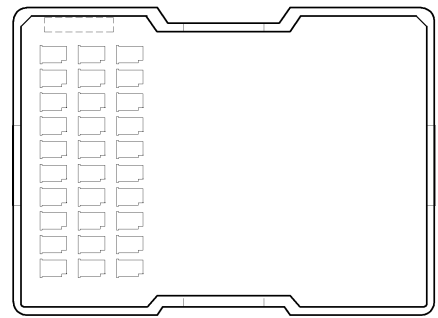
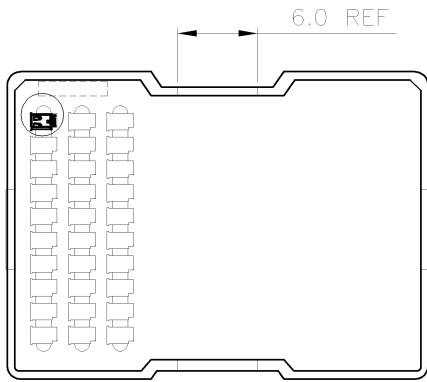
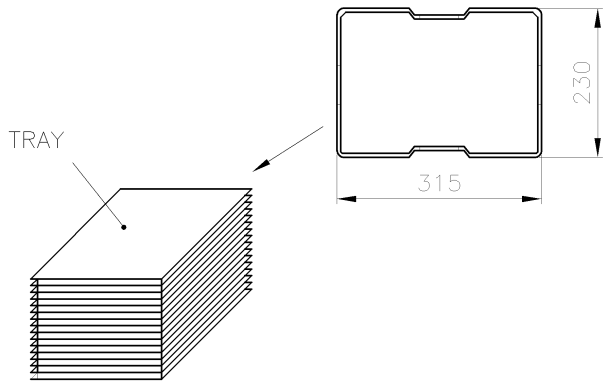
- NOTE:
- MATERIAL:
 HOUSING: THERMOPLASTIC HIGH TEMP., UL 94V-0, BLACK COLOR.
 CONTACT: BRASS, THICKNESS=0.25mm.
 SHELL: PHOSPHOR BRONZE, THICKNESS=0.40mm
 - FINISH:
 CONTACT: 0.762µm [30µ"] MIN. GOLD PLATED ON CONTACT AREA,
 2.54µm [100µ"] MIN. TIN-Cu PLATED ON SOLDER TAILS,
 1.27µm [50µ"] MIN. NICKEL UNDERPLATED ALL OVER.
 SHELL: 3.048µm [120µ"] MIN. NICKEL PLATED ALL OVER
 2.54µm [100µ"] MIN. Cu UNDERPLATED ALL OVER
 - REFLOW SOLDER CAPABLE TO 260°C PER TEST SPEC.
 109-201, CONDITION B.

| | |
|-------|-------------|
| 3.18 | 1734290-2 |
| 2.69 | 1734290-1 |
| DIM D | PART NUMBER |

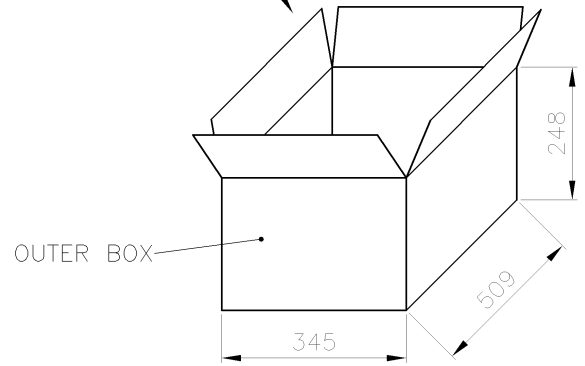
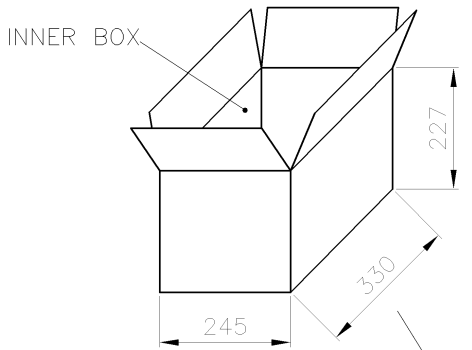
| | | | | | |
|--|--|---------------------------|-----------|--------------------------------------|--------------------|
| THIS DRAWING IS A CONTROLLED DOCUMENT. | | DWN O. HU | 23DEC2005 | TE Connectivity | |
| DIMENSIONS: mm | | CHK S. HOU | 23DEC2005 | | |
| TOLERANCES UNLESS OTHERWISE SPECIFIED: | | APVD W.J. KE | 23DEC2005 | NAME | |
| 0 PLC ± 0.38 1 PLC ± 0.25 2 PLC ± 0.13 3 PLC ± 0.05 4 PLC ± - ANGLES ± 3' | | PRODUCT SPEC 108-57599 | | IEEE 1394, RCPT, 6P VERTICAL, T/H | |
| MATERIAL SEE NOTE | | APPLICATION SPEC | | SIZE A3 | CAGE CODE 00779 |
| FINISH SEE NOTE | | WEIGHT 2.62 GRAMS | | DRAWING NO C=1734290 | |
| CUSTOMER DRAWING | | | | RESTRICTED TO | |
| SCALE | | | | SHEET 1 of 2 | REV C |

THIS DRAWING IS UNPUBLISHED. RELEASED FOR PUBLICATION
 © COPYRIGHT 2011 BY TYCO ELECTRONICS CORPORATION. ALL RIGHTS RESERVED.

| | | | | | |
|-----------|------|--------------|------|-----|------|
| LOC DW | DIST | REVISIONS | | | |
| P | LTR | DESCRIPTION | DATE | DWN | APVD |
| | | SEE SHEET 1. | | | |



- NOTES:
- MATERIAL:
TRAY: PET
SHIPPING BOX: CORRUGATED FIBER.
 - DIMENSION:
TRAY: L=315mm, W=230mm, H=11.3mm
SHIPPING BOX: 509mm*345mm*248mm
 - QUANTITY: SEE TABLE.
 - WEIGHT: SEE TABLE.



| | | | | | |
|----------|----------|-------------------------------|-------------------------|---------------------|--------------|
| 15.0 | 14.0 | 4000 | 2 | 20 | 100 |
| N.W(KGS) | N.W(KGS) | PACKAGING QTY'S/ OUTER BOX | INNER BOX/ OUTER BOX | TRAYS/ INNER BOX | PCS/ TRAY |

THIS DRAWING IS A CONTROLLED DOCUMENT.

| | | | | | | |
|---|--|------------------|--------------------------------------|-----------|------------|--------------------|
| DIMENSIONS: mm | TOLERANCES UNLESS OTHERWISE SPECIFIED: | DWN | TE Connectivity | | | |
| 0 PLC ± - 1 PLC ± - 2 PLC ± - 3 PLC ± - 4 PLC ± - ANGLES ± - | | CHK | NAME | | | |
| | | APVD | IEEE 1394, RCPT, 6P VERTICAL, T/H | | | |
| MATERIAL | FINISH | PRODUCT SPEC | SIZE | CAGE CODE | DRAWING NO | RESTRICTED TO |
| | | APPLICATION SPEC | A3 | 00779 | C=1734290 | |
| | | WEIGHT | CUSTOMER DRAWING | | SCALE | SHEET 2 of 2 REV C |

Mouser Electronics

Authorized Distributor

Click to View Pricing, Inventory, Delivery & Lifecycle Information:

[TE Connectivity:](#)

[1734290-1](#)