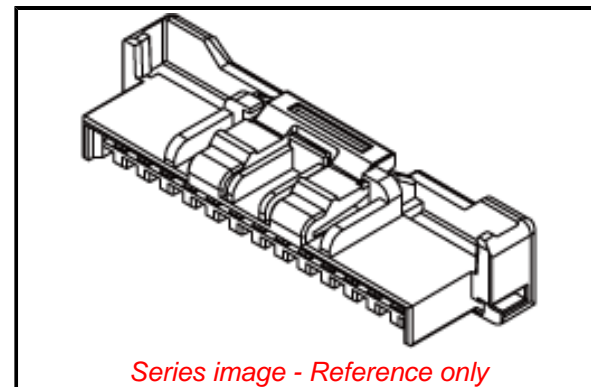


**PLEASE CHECK WWW.MOLEX.COM FOR LATEST PART INFORMATION**

**Part Number:** [5024391400](#)  
**Status:** **Active**  
**Overview:** [CLIK-Mate Wire-to-Board Connectors](#)  
**Description:** 2.00mm Pitch CLIK-Mate Wire-to-Board Housing, Single Row, Positive Lock, 14 Circuits

**Documents:**

<a href="#">3D Model</a>	<a href="#">Application Specification AS-502439-002-001 (PDF)</a>
<a href="#">Drawing (PDF)</a>	<a href="#">Packaging Specification 5024399200-200 (PDF)</a>
<a href="#">Product Specification 5024431570-000 (PDF)</a>	<a href="#">RoHS Certificate of Compliance (PDF)</a>
<a href="#">Application Specification AS-502439-001-001 (PDF)</a>	



**Agency Certification**

UL E29179

**General**

Product Family	Crimp Housings
Series	<a href="#">502439</a>
Application	Signal, Wire-to-Board
Comments	See Product Specification for maximum current rating by circuit size and wire AWG
Current Released Drawing	E-502439-002
Current Released Revision	B
Overview	<a href="#">CLIK-Mate Wire-to-Board Connectors</a>
Product Name	CLIK-Mate
UPC	822350915922

**Physical**

Breakaway	No
Circuits (maximum)	14
Color - Resin	White
Gender	Plug
Glow-Wire Capable	No
Keying to Mating Part	Yes
Lock to Mating Part	Yes
Material - Resin	PBT
Net Weight	907.000/mg
Number of Rows	1
Packaging Type	Bag
Panel Mount	No
Pitch - Mating Interface	2.00mm
Polarized to Mating Part	Yes
Stackable	No
Temperature Range - Operating	-40°C to +105°C

**Electrical**

Current - Maximum per Contact 3.0A

**Material Info**

**Reference - Drawing Numbers**

Application Specification	AS-502439-001-001, AS-502439-002-001
Packaging Specification	5024399200-200
Product Specification	5024431570-000
Sales Drawing	5024391500-000

**EU ELV**

**Not Relevant**

**EU RoHS**

**Compliant**

**REACH SVHC**

Not Contained Per  
-ED/01/2018 (15  
January 2018)

**Halogen-Free**

**Status**

**Not Low-Halogen**

**Need more information on product environmental compliance?**

Email [productcompliance@molex.com](mailto:productcompliance@molex.com)  
Please visit the [Contact Us](#) section for any non-product compliance questions.

China ROHS	Green Image
ELV	Not Relevant
RoHS Phthalates	Not Contained

**Search Parts in this Series**

[502439](#) Series

**Mates With**

[502443](#) PCB Receptacle Vertical . [502494](#) PCB Receptacle Right Angle

**Use With**

[502438](#) Crimp Terminal

This document was generated on 03/01/2018

**PLEASE CHECK [WWW.MOLEX.COM](http://WWW.MOLEX.COM) FOR LATEST PART INFORMATION**

# Mouser Electronics

Authorized Distributor

Click to View Pricing, Inventory, Delivery & Lifecycle Information:

[Molex:](#)

[502439-1400](#)