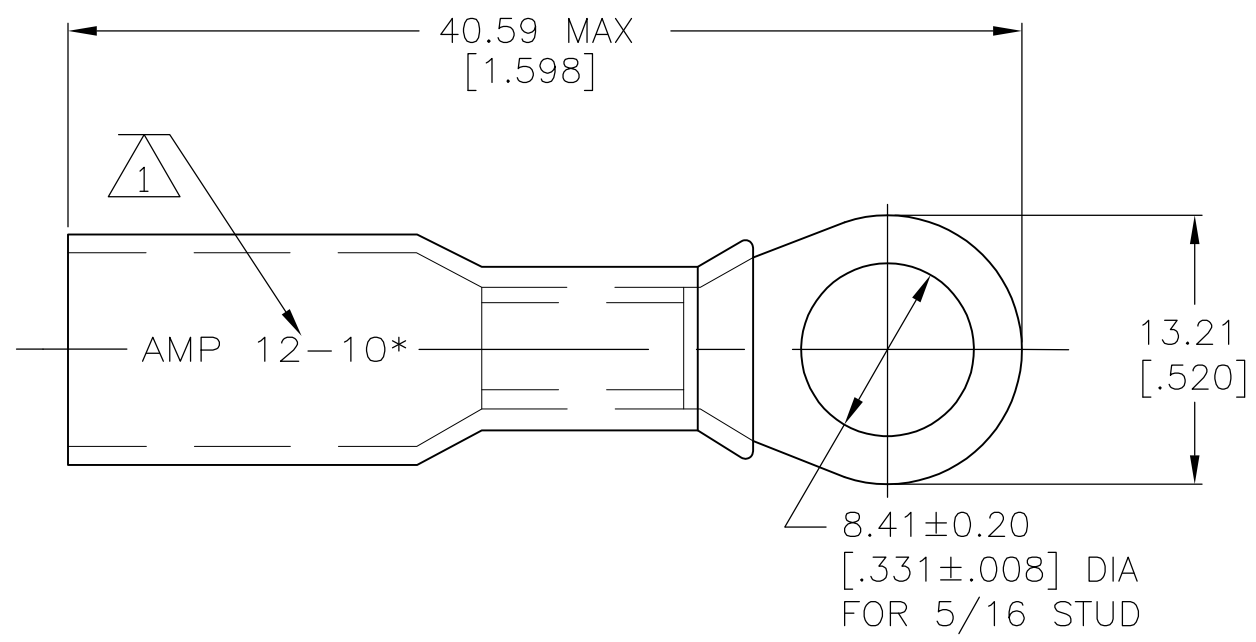


THIS DRAWING IS UNPUBLISHED. RELEASED FOR PUBLICATION
 © COPYRIGHT BY TYCO ELECTRONICS CORPORATION. ALL INTERNATIONAL RIGHTS RESERVED.

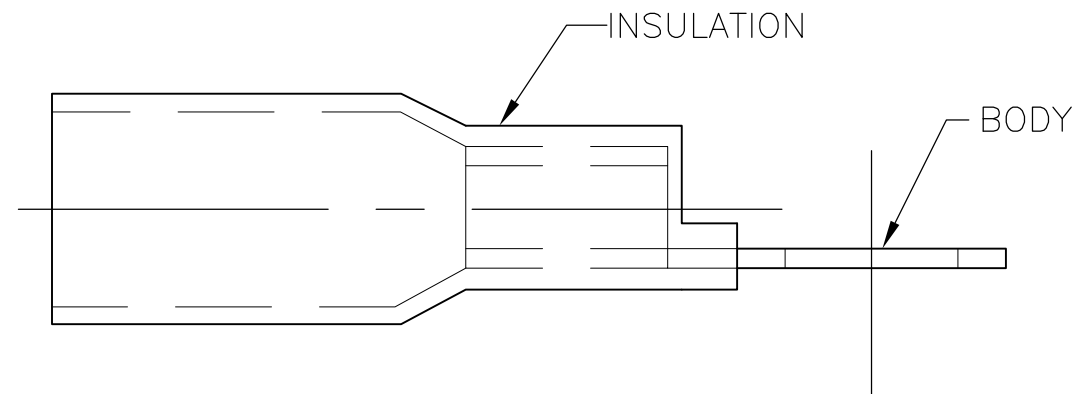
LOC	DIST	REVISIONS					
G	14	P	LTR	DESCRIPTION	DATE	DWN	APVD
		D		REVISED PER ECR-09-027352	18FEB10	JR	TM



- △ 1 STAMP AMP 12-10* APPROX AS SHOWN
- 2 WIRE INSULATION DIA 6.10 [.240] MAX
- 3 TONGUE MATERIAL THK 1.02±0.05 [.040±.002]
- △ 4 SUPERSEDED BY 8-55859-3

AMP
WIRE RANGE

12-10 AWG
STRANDED



25	LOOSE PIECE	8-55859-3
500	LOOSE PIECE	△ 4 55859-1
QTY	PACKAGE TYPE	PART NO

AMP INCORPORATED
CUSTOMER SERVICE SYSTEMS

FOR ADDITIONAL PRODUCT INFORMATION OR COPIES OF DRAWINGS AND TECHNICAL DOCUMENTS	PRODUCT INFORMATION CENTER 1-800-522-6752
FOR APPLICATION TOOLING INFORMATION	TOOLING ASSISTANCE CENTER 1-800-722-1111
FOR ORDER ENTRY	1-800-526-5142

MAX RECOMMENDED OPERATING TEMPERATURE:
125° C MAX

VOLTAGE RATING:
600V MAX (BUILDING WIRING)
1000V MAX (FIXTURES & SIGNS)

CIRCULAR MIL AREA:
2.62-6.64² [5180-13100]
STRANDED

THIS DRAWING IS A CONTROLLED DOCUMENT.

DIMENSIONS:	TOLERANCES UNLESS OTHERWISE SPECIFIED:
mm [INCHES]	
	0 PLC ± -
	1 PLC ± -
	2 PLC ± 0.20[.008]
	3 PLC ± -
	4 PLC ± -
	ANGLES ± -

MATERIAL: BODY: ETP COPPER; INSULATION: POLYOLEFIN; COLOR: YELLOW

FINISH: EDP TIN PLATED

DWN S S GOULDEN 6/93	Tyco Electronics Tyco Electronics Corporation Harrisburg, PA 17105-3608
CHK R HERSEY 6/93	
APVD B BARE 6/93	
PRODUCT SPEC	NAME: TERMINAL, RING TONGUE, SEALABLE HEAT SHRINKABLE
APPLICATION SPEC	SIZE: A3; CAGE CODE: 00779; DRAWING NO: C-55859
408-4022	RESTRICTED TO: -
WEIGHT: -	SCALE: NTS; SHEET: 1 OF 1; REV: D
CUSTOMER DRAWING	

Mouser Electronics

Authorized Distributor

Click to View Pricing, Inventory, Delivery & Lifecycle Information:

[TE Connectivity:](#)

[8-55859-3](#)