

### Features

| Parameter                | Symbol     | Value     | Unit          |
|--------------------------|------------|-----------|---------------|
| Max supply voltage       | $V_{CC}$   | 41        | V             |
| Operating voltage range  | $V_{CC}$   | 4.5 to 36 | V             |
| Max On-State resistance  | $R_{ON}$   | 16        | m $\Omega$    |
| Current limitation (typ) | $I_{LIMH}$ | 65        | A             |
| Off state supply current | $I_S$      | 2         | $\mu A^{(1)}$ |

1. Typical value with all loads connected.

- Simple single IC application board dedicated for VN5016AJ-E
- Provides thermal heat-sinking for ease of use in prototyping
- Provides electrical connectivity for easy prototyping

### Description

EV-VN5016AJ provides you an easy way to connect ST's surface mounted VIPower<sup>®</sup> drivers into your existing prototype circuitry. This evaluation board comes pre-assembled with VN5016AJ-E high-side driver.

The VN5016AJ-E is a monolithic device made using STMicroelectronics<sup>®</sup> VIPower<sup>®</sup> M0-5 technology. It is intended for driving resistive or inductive loads with one side connected to ground.

Active  $V_{CC}$  pin voltage clamp protects the device against low energy spikes. This device integrates an analog current sense which delivers a current proportional to the load current (according to a known ratio) when CS\_DIS is driven low or left open. When CS\_DIS is driven high, the CURRENT SENSE pin is in a high impedance condition.

Output current limitation protects the device in overload condition. In case of long overload duration, the device limits the dissipated power to safe level up to thermal shutdown intervention. Thermal shutdown with automatic restart allows the device to recover normal operation as soon as fault condition disappears.

Figure 1. VN5016AJ evaluation board

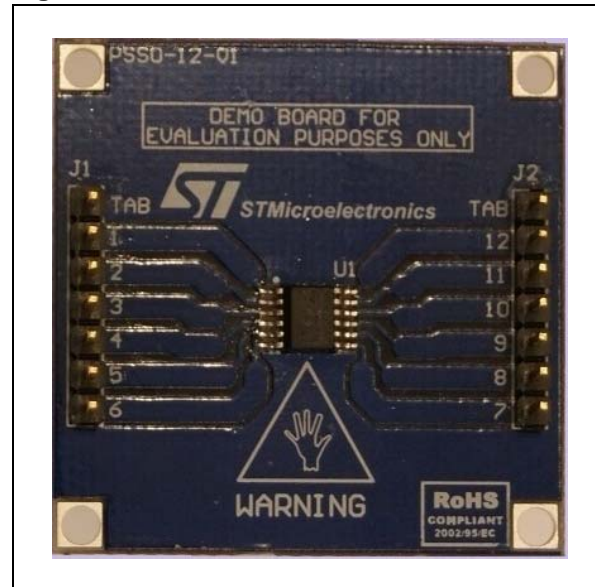


Table 1. Device summary

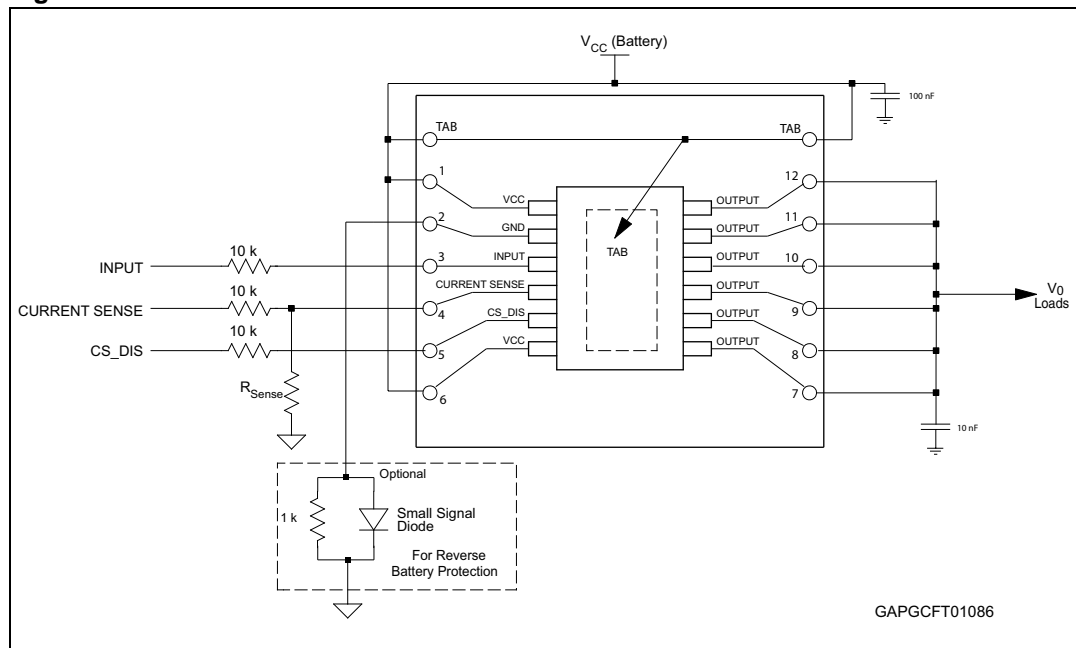
| Order code  | Reference                 |
|-------------|---------------------------|
| EV-VN5016AJ | VN5016AJ evaluation board |

# 1 Design recommendations

This evaluation board provides mounting solution and some heat sinking capability for prototype development, but there are still external components that are required to make these devices work in any application. For further information on how the evaluation board has to be used you can refer to the AN4210 (see [Appendix A: Reference documents](#)).

[Figure 2](#) illustrates the necessary components for any application.

**Figure 2. VN5016AJ evaluation board**



ST has produced a user manual for safe designs using ST’s VIPower devices. This is UM1556 (see [Appendix A: Reference documents](#)). UM1556 is a VIPower Hardware design guide that provides all necessary information to successfully design your circuit using our VIPower drivers.

All designs have different needs and requirements. Whatever design you decide to use, it will still need to be verified in order to meet your application specifications. ST implies no guarantee or warranty (see [Appendix A: Reference documents](#)).

## 2 Thermal data

**Table 2. VN5016AJ-E thermal data**

| Symbol        | Parameter                                 | Max. value | Unit |
|---------------|---|------------|------|
| $R_{thj-amb}$ | Thermal resistance junction-ambient (MAX) | 30.5       | °C/W |

**Table 3. PCB specifications**

| Parameter               | Value       | Unit |
|-------------------------|-------------|------|
| Board dimensions        | 38 x 38     | mm   |
| Number of Cu layer      | 2           | —    |
| Layer Cu thickness      | 70          | µm   |
| Board finish thickness  | 1.6 +/- 10% | mm   |
| Board Material          | FR4         | —    |
| Thermal vias separation | 1.2         | mm   |
| Thermal vias diameter   | 0.3 /- 0.08 | mm   |

### 3 Board connector reference

Figure 3. Board layout



Table 4. Board connector specification

| Connector | Board lead number | Device pin function <sup>(1)</sup> |
|-----------|-------------------|------------------------------------|
| J1        | TAB               | V <sub>CC</sub>                    |
| J1        | 1                 | V <sub>CC</sub>                    |
| J1        | 2                 | GND                                |
| J1        | 3                 | INPUT                              |
| J1        | 4                 | CURRENT SENSE                      |
| J1        | 5                 | CS_DIS                             |
| J1        | 6                 | V <sub>CC</sub>                    |
| J2        | TAB               | V <sub>CC</sub>                    |
| J2        | 7                 | OUTPUT                             |
| J2        | 8                 | OUTPUT                             |
| J2        | 9                 | OUTPUT                             |
| J2        | 10                | OUTPUT                             |
| J2        | 11                | OUTPUT                             |
| J2        | 12                | OUTPUT                             |

1. For further clarification on pin functions please refer to the related datasheet (see [Appendix A: Reference documents](#)).

## 4 Package information

### 4.1 ECOPACK<sup>®</sup> packages

In order to meet environmental requirements, ST offers these devices in different grades of ECOPACK<sup>®</sup> packages, depending on their level of environmental compliance. ECOPACK<sup>®</sup> specifications, grade definitions and product status are available at: [www.st.com](http://www.st.com).

ECOPACK<sup>®</sup> is an ST trademark.

## Appendix A Reference documents

1. Single channel high side driver with analog current sense for automotive applications (VN5016AJ-E, DocID 10870)
2. VIPower M0-5 and M0-5Enhanced high-side drivers (UM1556, DocID 023520)
3. PowerSSO-12 devices evaluation board (AN4210, DocID 023963)
4. Evaluation Product Licence Agreement on [www.st.com](http://www.st.com)

## Revision history

**Table 5. Document revision history**

| Date        | Revision | Changes             |
|-------------|----------|---------------------|
| 28-Nov-2012 | 1        | Initial release.    |
| 17-Sep-2013 | 2        | Updated disclaimer. |

**Please Read Carefully:**

Information in this document is provided solely in connection with ST products. STMicroelectronics NV and its subsidiaries ("ST") reserve the right to make changes, corrections, modifications or improvements, to this document, and the products and services described herein at any time, without notice.

All ST products are sold pursuant to ST's terms and conditions of sale.

Purchasers are solely responsible for the choice, selection and use of the ST products and services described herein, and ST assumes no liability whatsoever relating to the choice, selection or use of the ST products and services described herein.

No license, express or implied, by estoppel or otherwise, to any intellectual property rights is granted under this document. If any part of this document refers to any third party products or services it shall not be deemed a license grant by ST for the use of such third party products or services, or any intellectual property contained therein or considered as a warranty covering the use in any manner whatsoever of such third party products or services or any intellectual property contained therein.

**UNLESS OTHERWISE SET FORTH IN ST'S TERMS AND CONDITIONS OF SALE ST DISCLAIMS ANY EXPRESS OR IMPLIED WARRANTY WITH RESPECT TO THE USE AND/OR SALE OF ST PRODUCTS INCLUDING WITHOUT LIMITATION IMPLIED WARRANTIES OF MERCHANTABILITY, FITNESS FOR A PARTICULAR PURPOSE (AND THEIR EQUIVALENTS UNDER THE LAWS OF ANY JURISDICTION), OR INFRINGEMENT OF ANY PATENT, COPYRIGHT OR OTHER INTELLECTUAL PROPERTY RIGHT.**

**ST PRODUCTS ARE NOT DESIGNED OR AUTHORIZED FOR USE IN: (A) SAFETY CRITICAL APPLICATIONS SUCH AS LIFE SUPPORTING, ACTIVE IMPLANTED DEVICES OR SYSTEMS WITH PRODUCT FUNCTIONAL SAFETY REQUIREMENTS; (B) AERONAUTIC APPLICATIONS; (C) AUTOMOTIVE APPLICATIONS OR ENVIRONMENTS, AND/OR (D) AEROSPACE APPLICATIONS OR ENVIRONMENTS. WHERE ST PRODUCTS ARE NOT DESIGNED FOR SUCH USE, THE PURCHASER SHALL USE PRODUCTS AT PURCHASER'S SOLE RISK, EVEN IF ST HAS BEEN INFORMED IN WRITING OF SUCH USAGE, UNLESS A PRODUCT IS EXPRESSLY DESIGNATED BY ST AS BEING INTENDED FOR "AUTOMOTIVE, AUTOMOTIVE SAFETY OR MEDICAL" INDUSTRY DOMAINS ACCORDING TO ST PRODUCT DESIGN SPECIFICATIONS. PRODUCTS FORMALLY ESCC, QML OR JAN QUALIFIED ARE DEEMED SUITABLE FOR USE IN AEROSPACE BY THE CORRESPONDING GOVERNMENTAL AGENCY.**

Resale of ST products with provisions different from the statements and/or technical features set forth in this document shall immediately void any warranty granted by ST for the ST product or service described herein and shall not create or extend in any manner whatsoever, any liability of ST.

ST and the ST logo are trademarks or registered trademarks of ST in various countries.

Information in this document supersedes and replaces all information previously supplied.

The ST logo is a registered trademark of STMicroelectronics. All other names are the property of their respective owners.

© 2013 STMicroelectronics - All rights reserved

STMicroelectronics group of companies

Australia - Belgium - Brazil - Canada - China - Czech Republic - Finland - France - Germany - Hong Kong - India - Israel - Italy - Japan - Malaysia - Malta - Morocco - Philippines - Singapore - Spain - Sweden - Switzerland - United Kingdom - United States of America

[www.st.com](http://www.st.com)



# Mouser Electronics

Authorized Distributor

Click to View Pricing, Inventory, Delivery & Lifecycle Information:

[STMicroelectronics:](#)

[EV-VN5016AJ](#)