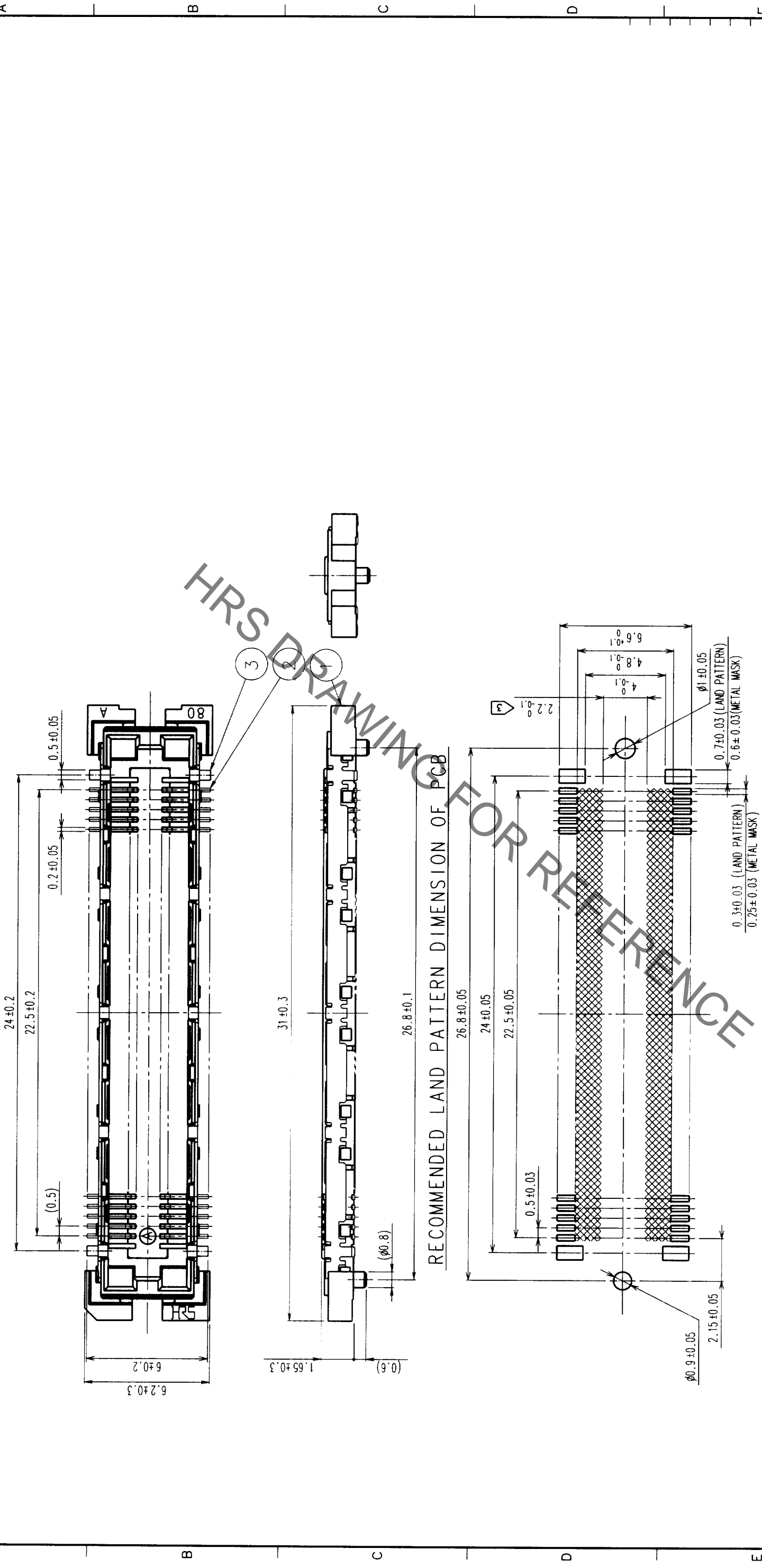


COUNT	DESCRIPTION OF REVISIONS	BY	CHKD	DATE	COUNT	DESCRIPTION OF REVISIONS	BY	CHKD	DATE
△					△				
△					△				
△					△				



RECOMMENDED LAND PATTERN DIMENSION OF PCB

- NOTES
- 1 SMT LEAD-COPLANARITY: 0.1 MAX.
 - 2 THIS PRODUCT HAS NO POLARITY TO PATTERN FOR MOUNTING.
 - 3 MAKE SURE WIDTH OF PATTERN IS WITHIN THAT OF LAND, OR LEAD MAY TOUCH PATTERN. (THIS APPLIES TO HATCHED AREA.)
 - 4 TO BE EMBOSSED CARRIER TAPED AS SPECIFIED IN SHEET 2.

2	PHOSPHOR BRONZE	CONTACT AREA: GOLD (0.1μm) OVER NICKEL
1	LCP	LEAD: GOLD FLASH OVER NICKEL
NO.	MATERIAL	FINISH, REMARKS
CODE NO. (OLD)	CL	

3	PHOSPHOR BRONZE	TIN PLATED
1	UL94V-0	
NO.	MATERIAL	FINISH, REMARKS
CODE NO. (OLD)	CL	

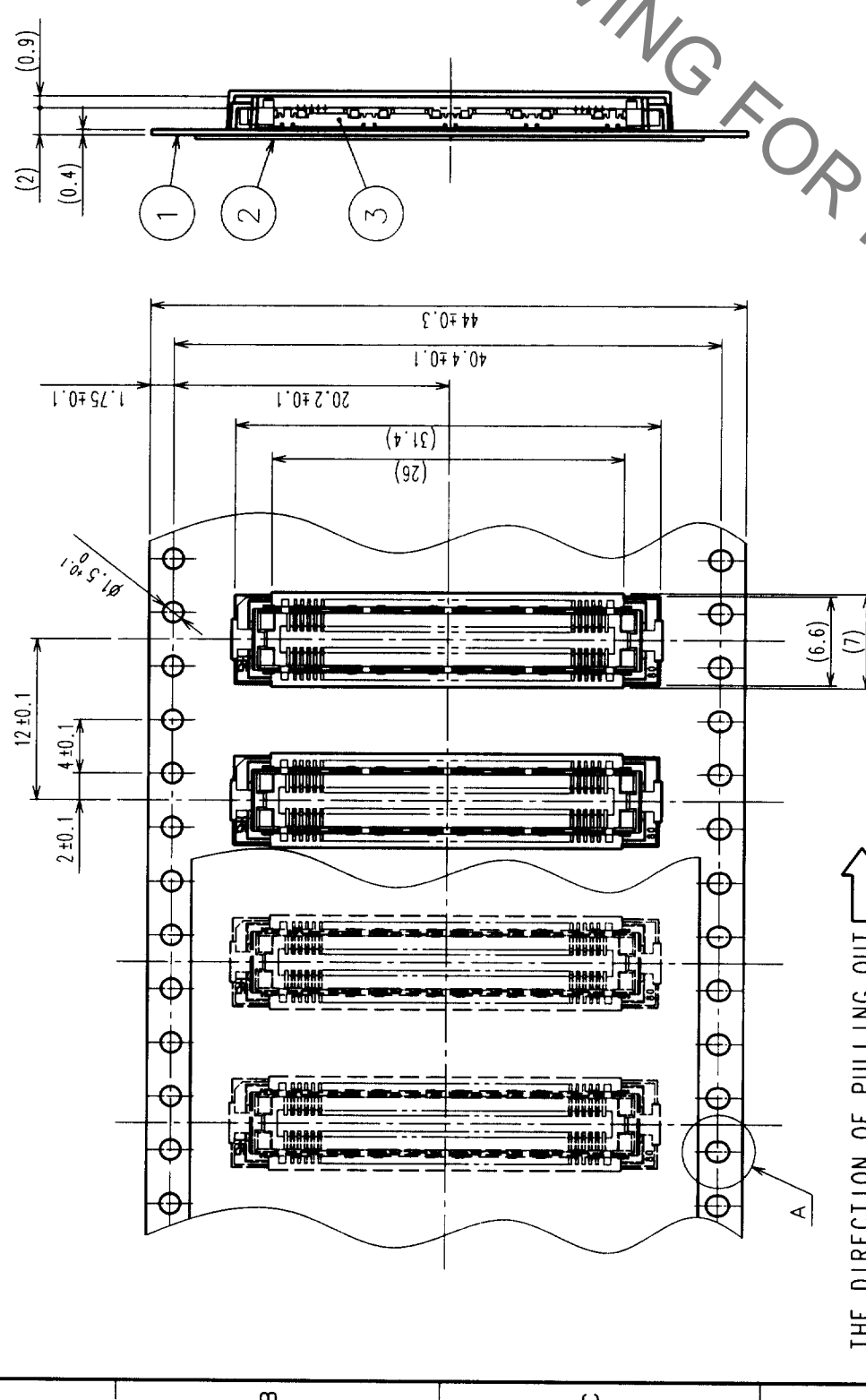
DESIGNED	CHECKED	APPROVED	RELEASED
<i>(Signature)</i>	<i>(Signature)</i>	<i>(Signature)</i>	<i>(Signature)</i>
DATE	DATE	DATE	DATE
99.10.25	99.10.25	99.10.26	99.10.26

DRAWING NO.	PART NO.
EDC3-152117-01	FX11LA-92S-SV (21)
SCALE	UNITS
5 : 1	mm

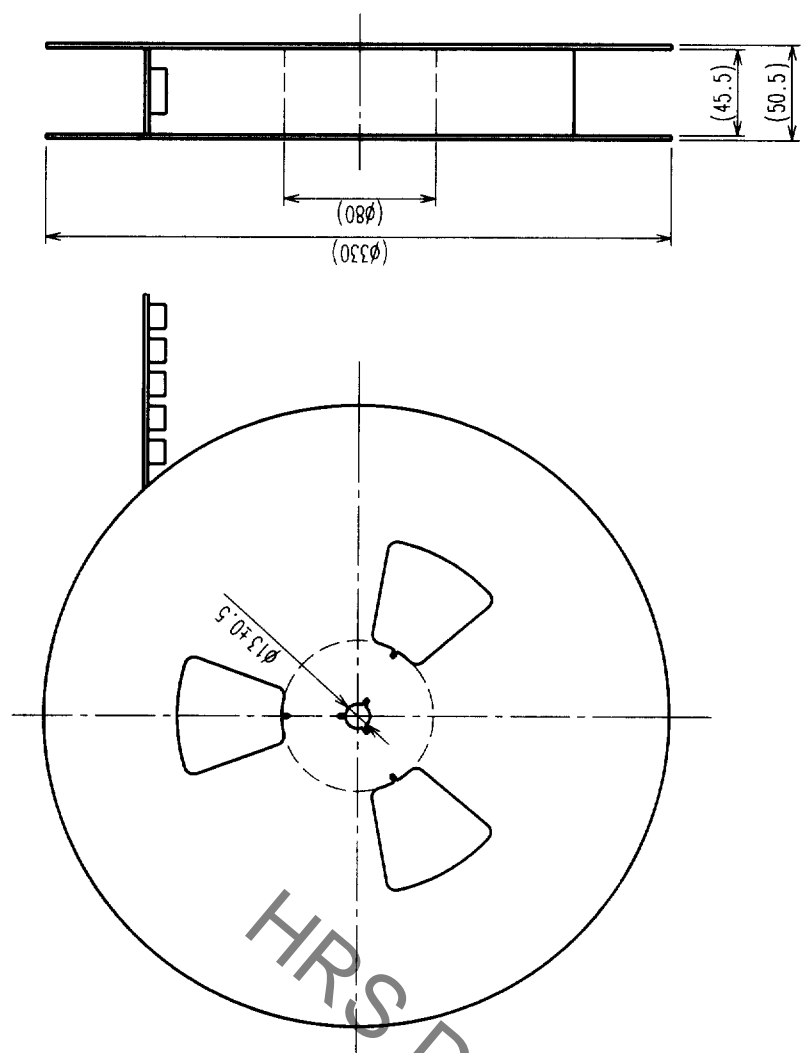
CODE NO.
CL573-0143-9-21

TO	PCK

COUNT	DESCRIPTION OF REVISIONS	BY	CHKD	DATE	COUNT	DESCRIPTION OF REVISIONS	BY	CHKD	DATE
△					△				
△					△				
△					△				

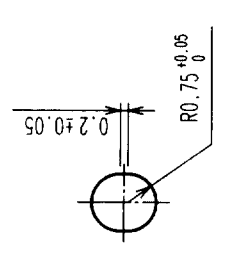


REELED DIMENSION (Free)



HRS DRAWING FOR REFERENCE

A (5:1)



- NOTES 1 REEL: 1000 CONNECTORS.
- 2 MINIMUM 10 COMPARTMENTS FROM BOTH REEL ENDS REMAIN EMPTY.
- 3 THIS PRODUCT HAS NO POLARITY TO TAPE AND REEL PACKAGING.

2	PET	TOP COVER TAPE	3 (CONNECTOR)		
1	PS	EMBOSSED CARRIER TAPE			
NO.	MATERIAL	FINISH, REMARKS	NO.	MATERIAL	FINISH, REMARKS
CODE NO. (OLD)	CL		DRAWN	DESIGNED	CHECKED
DRAWING FOR PACKING			<i>M. Matsuda</i>	<i>M. Matsuda</i>	<i>M. Matsuda</i>
DRAWING NO. EDC3-152117-01			DATE	DATE	DATE
SCALE 2:1			17.10.25	17.10.25	17.10.26
UNITS mm			PART NO. FX11LA-92S-SV(21)		
HRS HIROSE ELECTRIC CO., LTD			CODE NO. CL573-0143-9-21		

TO	
PCK	