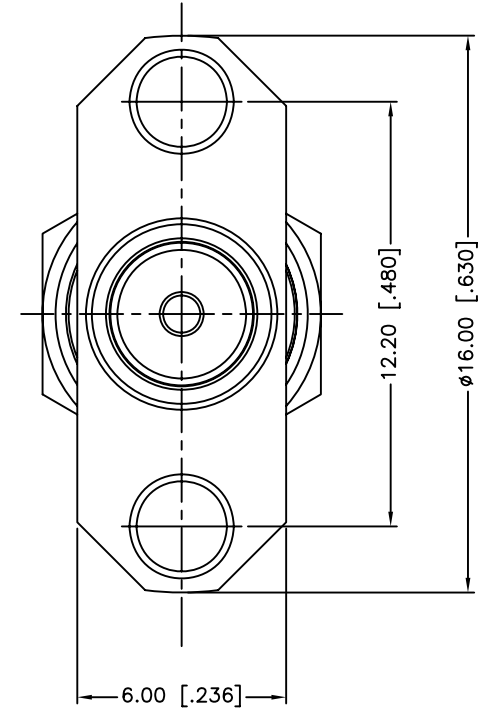
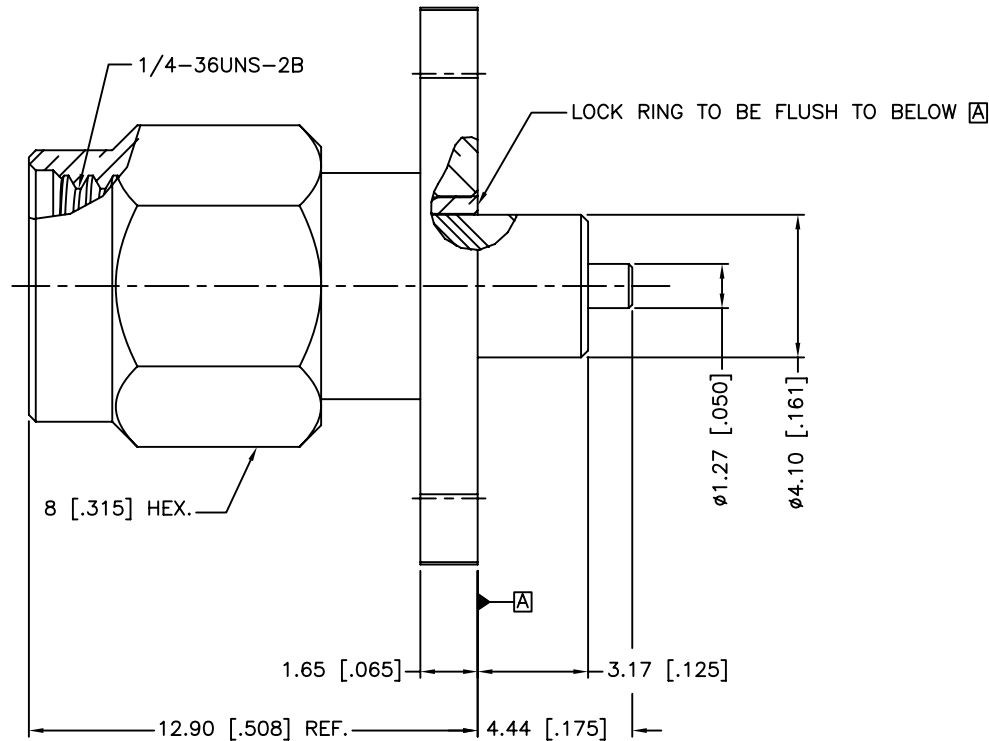
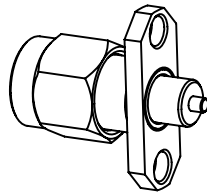


REV.	DATE	ECR NO.	DESCRIPTION
NC	10/17/13	XXXXXX	INITIAL RELEASE



1. IMPEDANCE: 50 OHM
2. FREQUENCY RANGE: DC-18 GHZ
3. DIELECTRIC WITHSTANDING VOLTAGE: 1000 VRMS, MIN.
4. DURABILITY: 500 CYCLES MIN.
5. TEMPERATURE RANGE: -65°C TO +165°C

				APPROVALS		DATE	<h1 style="color: blue; text-align: center;">Amphenol Connex</h1>								
8	CONTACT PIN	BRASS	GOLD	1	DRAWN	M.ZHANG				10/17/13	SMA PANEL RECEPT. PLUG-2 HOLE, EXTENDED TEFLON/CONTACT (.125"/.175")				
7	INSULATOR	PTFE	NATURAL	1	CHECKED			132145-13							
6	LOCK RING	BRASS	GOLD	1	ISSUED									132145-13	
5	BODY	BRASS	GOLD	1	SHEET	1 OF 1		132145-13							
4	INSULATOR	PTFE	NATURAL	1	CAD FILE		C:/CONNEX/132145-13.DWG				DWG. NO.	132145-13.DWG	REV.	NC	SIZE
3	RETAINER RING	SUS 304	NATURAL	1											
2	GASKET	SILICONE RUBBER	RED	1											
1	SHELL	BRASS	GOLD	1											
				DO NOT SCALE DRAWING											

UNLESS OTHERWISE SPECIFIED DIMENSIONS ARE IN MILLIMETERS. DIMENSIONS IN [] ARE IN INCHES AND FOR CUSTOMER REFERENCE ONLY. UNLESS OTHERWISE SPECIFIED

TOLERANCES FOR MILLIMETERS ARE:
 <0.5 ± 0.05mm
 0.5 - 6mm ± 0.10mm
 6 - 30mm ± 0.20mm
 30 - 120mm ± 0.30mm
 ANGLES ± 1°

UNLESS OTHERWISE SPECIFIED TOLERANCES FOR INCHES ARE:
 <.020 ± 0.002"
 .020 - .236 ± 0.004"
 .236 - 1.180 ± 0.007"
 1.180 - 4.724 ± 0.012"
 ANGLES ± 1°

Mouser Electronics

Authorized Distributor

Click to View Pricing, Inventory, Delivery & Lifecycle Information:

[Amphenol:](#)

[132145-13](#)