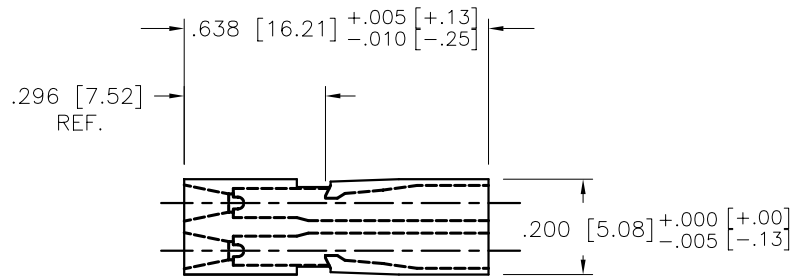
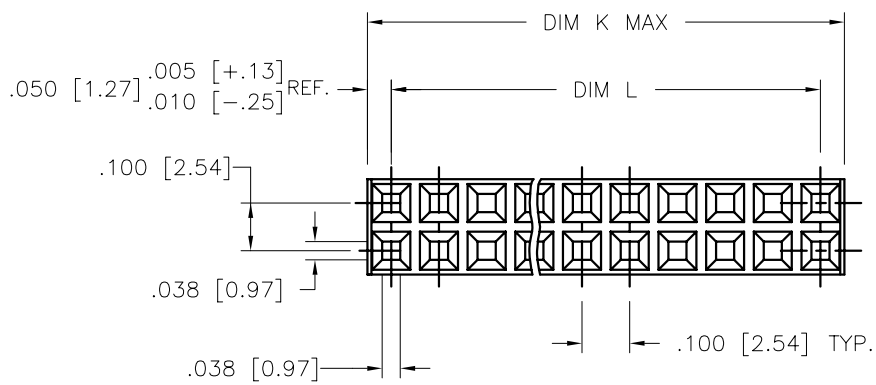
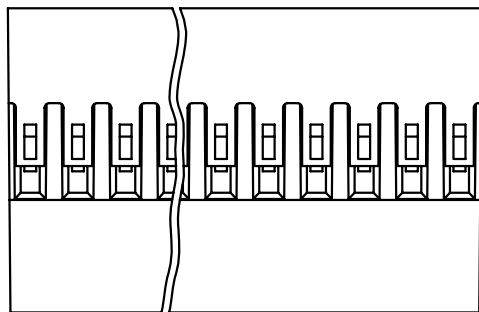


PRODUCT NO.

SEE TABLE



| | | | | | | | | | | | |
|---------------------------|----------|-----|------------|---|---|--------------|---|--|--|---------------------------------|--|
| mat'l. code SEE NOTE 1 | | | | surface <input checked="" type="checkbox"/> | | tolerance | | projection <input checked="" type="checkbox"/> | | product family PV HOUSINGS | |
| ltr | ec'n no | dr | date | tolerances unless otherwise specified | | angles | | INCH/MM | | title | |
| F | v03-1289 | TAB | 2003-12-08 | | | linear | | scale 2:1 | | MINI LATCH HOUSING DR | |
| G | v03-1359 | VS | 2004-03-10 | | | | | | | .100[2.54]CC FOR .318[8.08] PIN | |
| H | v05-0715 | HTB | 2005-07-29 | 0°±2' | | | | | | dwg no | |
| J | v06-0421 | HTB | 2006-05-09 | dr | | L. SANDERS | | 1995-03-28 | | sheet 1 of 4 | |
| K | v07-0532 | HTB | 2007-08-16 | engr | | L. FYE | | 1995-03-28 | | size | |
| | | | | chr | | T. BREWBAKER | | 1995-03-28 | | A3 | |
| | | | | appd | | L. FYE | | 1995-03-28 | | type | |
| sheet | revision | K | K | K | K | K | K | Product Customer Drawing | | | |
| index | sheet | 1 | 2 | 3 | 4 | | | | | | |



Copyright FCJ

PRODUCT NO.
SEE TABLE

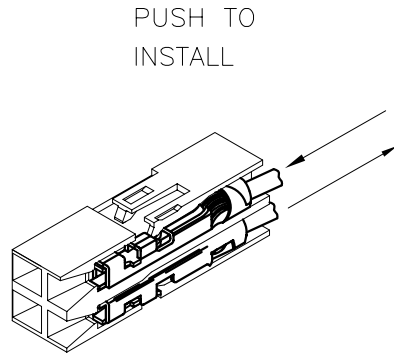


FIGURE 1

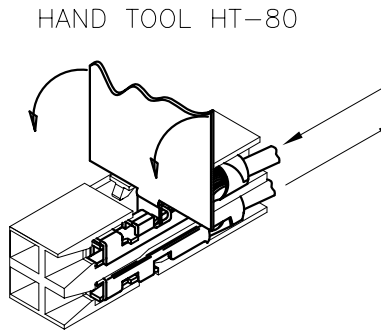


FIGURE 2

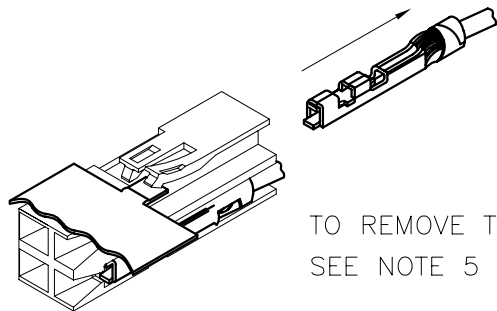


FIGURE 3

NOTES:

1. MOLDING MATERIAL MODIFIED POLYPHENYLENE ETHER, FLAME RETARDANT PER UL 94V-0, COLOR: BLACK.
2. PIN LENGTH TO BE .303/7.70. RECOMMENDED PIN LENGTH IS $.318 \pm .015$ [8.08 \pm 0.38]
3. THIS HOUSING IS INTENDED FOR USE WITH MINI PV™ TERMINAL WITH 22-36 GAUGE WIRE.
4. TO LATCH TERMINAL PUSH AS SHOWN IN FIGURE 1, BE SURE THAT LATCH SNAPS DOWN.
5. TO REMOVE TERMINAL; PUSH TERMINAL FORWARD, LIFT LATCH WITH HAND TOOL AS SHOWN IN FIGURES 2 & 3. DAMAGE TO LATCH MAY OCCURE IF LIFTED MORE THAN A 25° ANGLE TO THE TOP OF HOUSING.
6. TERMINAL MUST BE CRIMPED PROPERLY FOR SATISFACTORY LATCHING. SEE TA-75 FOR CRIMPING INSTRUCTIONS. PRODUCT SPECIFICATION: BUS-12-067.
7. ALL MARKINGS USE 6 POINT TYPE (APPROX. .06/1.52 HIGH) AND WHITE INK (MARKEM #8829 OR EQUIV.) WHEN MARKING CAVITIES , NUMERALS OR LETTERS ARE TO BE CENTERED ON RESPECTIVE CAVITIES UNLESS OTHER-WISE NOTED.
8. PRODUCT MEETS EUROPEAN UNION DIRECTIVES AND OTHER COUNTRY REGULATIONS AS DESCRIBED IN GS-22-008.
9. THE PRODUCT IS NOT INTENDED TO BE EXPOSED TO A MANUFACTURING SOLDER PROCESS.



FCIconnect.com

Copyright FCI

| | | | | | |
|---------------------------|----------------|--------------|--------------|--|--|
| mat'l. code SEE NOTE 1 | | surface ✓ | tolerance | projection ⊕ | product family PV HOUSINGS |
| ltr | ecn no | dr | date | tolerances unless otherwise specified | title |
| K | | | | angles linear XX*01/XX*3 XXX*005/XXX*13 XXXX*0020/XXX*051 | MINI LATCH HOUSING DR .100[2.54]CC FOR .318[8.08] PIN |
| | | | 0°±2° | INCH/MM scale 2:1 | sheet 2 of 4 size |
| | | dr | L. SANDERS | 1995-03-28 | 66415 |
| | | engr | L. FYE | 1995-03-28 | A3 |
| | | chr | T. BREWBAKER | 1995-03-28 | type Product Customer Drawing |
| | | appd | L. FYE | 1995-03-28 | |
| sheet index | revision sheet | | | | |

| PRODUCT NO. | NO OF POS | DIM K MAX | DIM L | STYLE NOTES 7 |
|-------------|-----------|-------------|-------------|---------------|
| 66415-001LF | 72 | 3.600/91.44 | 3.500/88.90 | |
| 66415-002LF | 70 | 3.500/88.90 | 3.400/86.36 | |
| 66415-003LF | 68 | 3.400/86.36 | 3.300/83.82 | |
| 66415-004LF | 66 | 3.300/83.82 | 3.200/81.26 | |
| 66415-005LF | 64 | 3.200/81.26 | 3.100/78.74 | |
| 66415-006LF | 62 | 3.100/78.74 | 3.000/76.20 | |
| 66415-007LF | 60 | 3.000/76.20 | 2.900/73.66 | |
| 66415-008LF | 58 | 2.900/73.66 | 2.800/71.12 | |
| 66415-009LF | 56 | 2.800/71.12 | 2.700/68.58 | |
| 66415-010LF | 54 | 2.700/68.58 | 2.600/66.04 | |
| 66415-011LF | 52 | 2.600/66.04 | 2.500/63.50 | |
| 66415-012LF | 50 | 2.500/63.50 | 2.400/60.96 | |
| 66415-013LF | 48 | 2.400/60.96 | 2.300/58.42 | |
| 66415-014LF | 46 | 2.300/58.42 | 2.200/55.88 | |
| 66415-015LF | 44 | 2.200/55.88 | 2.100/53.34 | |
| 66415-016LF | 42 | 2.100/53.34 | 2.000/50.80 | |
| 66415-017LF | 40 | 2.000/50.80 | 1.900/48.26 | |
| 66415-018LF | 38 | 1.900/48.26 | 1.800/45.72 | |
| 66415-019LF | 36 | 1.800/45.72 | 1.700/43.18 | |
| 66415-020LF | 34 | 1.700/43.18 | 1.600/40.64 | |
| 66415-021LF | 32 | 1.600/40.64 | 1.500/38.10 | |
| 66415-022LF | 30 | 1.500/38.10 | 1.400/35.56 | |
| 66415-023LF | 28 | 1.400/35.56 | 1.300/33.02 | |
| 66415-024LF | 26 | 1.300/33.02 | 1.200/30.48 | |
| 66415-025LF | 24 | 1.200/30.48 | 1.100/27.94 | |
| 66415-026LF | 22 | 1.100/27.94 | 1.000/25.40 | |
| 66415-027LF | 20 | 1.000/25.40 | .900/22.86 | |
| 66415-028LF | 18 | .900/22.86 | .800/20.32 | |
| 66415-029LF | 16 | .800/20.32 | .700/17.78 | |
| 66415-030LF | 14 | .700/17.78 | .600/15.24 | |
| 66415-031LF | 12 | .600/15.24 | .500/12.70 | |
| 66415-032LF | 10 | .500/12.70 | .400/10.16 | |
| 66415-033LF | 8 | .400/10.16 | .300/7.62 | |
| 66415-034LF | 6 | .300/7.62 | .200/5.08 | |
| 66415-035LF | 4 | .200/5.08 | .100/2.54 | |
| 66415-036LF | 30 | 1.500/38.10 | 1.400/35.56 | A |
| 66415-037LF | 14 | .700/17.78 | .600/15.24 | A |
| 66415-038LF | 72 | 3.600/91.44 | 3.500/88.90 | D |
| 66415-039LF | 70 | 3.500/88.90 | 3.400/86.36 | D |
| 66415-040LF | 68 | 3.400/86.36 | 3.300/83.82 | D |
| 66415-041LF | 66 | 3.300/83.82 | 3.200/81.26 | D |
| 66415-042LF | 64 | 3.200/81.26 | 3.100/78.74 | D |

| PRODUCT NO. | NO OF POS | DIM K MAX | DIM L | STYLE NOTES 7 |
|-------------|-----------|-------------|-------------|---------------|
| 66415-043LF | 62 | 3.100/78.74 | 3.000/76.20 | D |
| 66415-044LF | 60 | 3.000/76.20 | 2.900/73.66 | D |
| 66415-045LF | 58 | 2.900/73.66 | 2.800/71.12 | D |
| 66415-046LF | 56 | 2.800/71.12 | 2.700/68.58 | D |
| 66415-047LF | 54 | 2.700/68.58 | 2.600/66.04 | D |
| 66415-048LF | 52 | 2.600/66.04 | 2.500/63.50 | D |
| 66415-049LF | 50 | 2.500/63.50 | 2.400/60.96 | D |
| 66415-050LF | 48 | 2.400/60.96 | 2.300/58.42 | D |
| 66415-051LF | 46 | 2.300/58.42 | 2.200/55.88 | D |
| 66415-052LF | 44 | 2.200/55.88 | 2.100/53.34 | D |
| 66415-053LF | 42 | 2.100/53.34 | 2.000/50.80 | D |
| 66415-054LF | 40 | 2.000/50.80 | 1.900/48.26 | D |
| 66415-055LF | 38 | 1.900/48.26 | 1.800/45.72 | D |
| 66415-056LF | 36 | 1.800/45.72 | 1.700/43.18 | D |
| 66415-057LF | 34 | 1.700/43.18 | 1.600/40.64 | D |
| 66415-058LF | 32 | 1.600/40.64 | 1.500/38.10 | D |
| 66415-059LF | 30 | 1.500/38.10 | 1.400/35.56 | D |
| 66415-060LF | 28 | 1.400/35.56 | 1.300/33.02 | D |
| 66415-061LF | 26 | 1.300/33.02 | 1.200/30.48 | D |
| 66415-062LF | 24 | 1.200/30.48 | 1.100/27.94 | D |
| 66415-063LF | 22 | 1.100/27.94 | 1.000/25.40 | D |
| 66415-064LF | 20 | 1.000/25.40 | .900/22.86 | D |
| 66415-065LF | 18 | .900/22.86 | .800/20.32 | D |
| 66415-066LF | 16 | .800/20.32 | .700/17.78 | D |
| 66415-067LF | 14 | .700/17.78 | .600/15.24 | D |
| 66415-068LF | 12 | .600/15.24 | .500/12.70 | C |
| 66415-069LF | 10 | .500/12.70 | .400/10.16 | C |
| 66415-070LF | 8 | .400/10.16 | .300/7.62 | C |
| 66415-071LF | 6 | .300/7.62 | .200/5.08 | B |
| 66415-072LF | 4 | .200/5.08 | .100/2.54 | B |
| 66415-073LF | 28 | 1.400/35.56 | 1.300/33.02 | E |

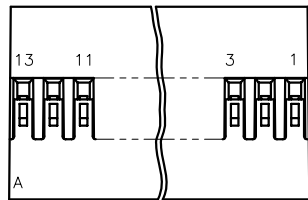
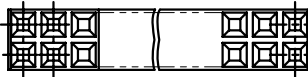
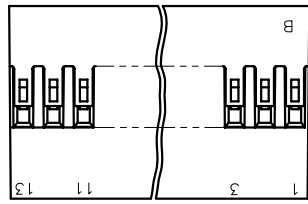


FCconnect.com

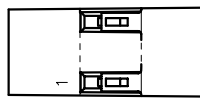
Copyright FCJ

| | | | | | | | | | |
|-------------|----------|---------|------|---------------------------------------|--------------|------------|--------------|---------------------------------|--------------------------|
| mat'l. code | | surface | | tolerance | | projection | | product family | |
| SEE NOTE 1 | | | | | | | | PV HOUSINGS | |
| ltr | ecr no | dr | date | tolerances unless otherwise specified | | | | title | |
| K | | | | angles | linear | INCH/MM | | MINI LATCH HOUSING DR | |
| | | | | 0°±2' | | scale 1:1 | | .100[2.54]CC FOR .318[8.08] PIN | |
| | | | | dr | L. SANDERS | 1995-03-28 | | | dwg no |
| | | | | engr | L. FYE | 1995-03-28 | sheet 3 of 4 | | size |
| | | | | chr | T. BREWBAKER | 1995-03-28 | 66415 | | A3 |
| | | | | appd | L. FYE | 1995-03-28 | type | | Product Customer Drawing |
| sheet index | revision | | | | | | | | |
| | sheet | | | | | | | | |

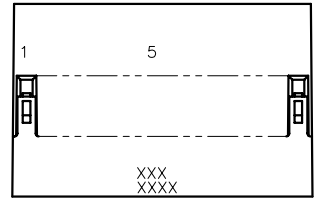
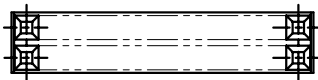
PRODUCT NO.
SEE TABLE



STYLE A
MARK NUMBER EVERY OTHER POSITION AND SIDE "A" AND "B" AS SHOWN

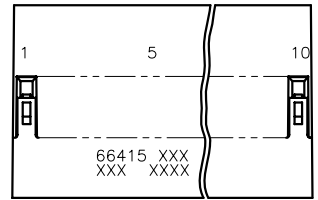
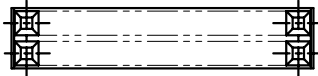


STYLE B
MARK THE NUMBER 1 CENTERED ON FIRST CAVITY, ONE SIDE ONLY.



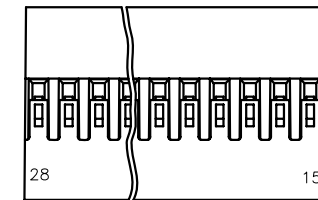
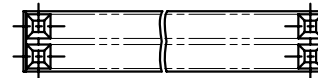
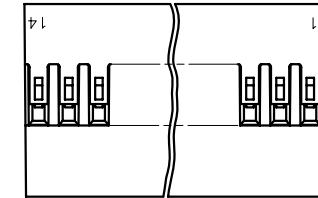
STYLE C

MARK CAVITY NUMBER ON POS. 1, AND IF APPLICABLE, 5 CENTER NUMBER ON RESPECTIVE CAVITY. MARK CO. LOGO AND YEAR WEEK- DATE CODE OF INKING AT THE APPROX. CENTER OF PART AS SHOWN. MARK ONE SIDE ONLY.



STYLE D

MARK CAVITY NUMBER EVERY 5 TH CAVITY. MARK CAVITY 1 ALSO. CENTER NUMBER ON RESPECTIVE CAVITY. MARK CO. LOGO YEAR WEEK- DATE CODE OF INKING AN COMPANY PART NUMBER AT THE APPROX. CENTER OF PART AS SHOWN MARK ONE SIDE ONLY.



MARK AS SHOWN
STYLE E

| | | | | | | | | | |
|---------------------------|----------|----|------|---|--------------|------------|--|---------------------------------|--|
| mat'l. code SEE NOTE 1 | | | | surface <input checked="" type="checkbox"/> tolerance | | projection | | product family PV HOUSINGS | |
| ltr | ecr no | dr | date | tolerances unless otherwise specified | | title | | MINI LATCH HOUSING DR | |
| K | | | | angles | linear | INCH/MM | | .100[2.54]CC FOR .318[8.08] PIN | |
| | | | | 0°±2° | | scale 2:1 | | dwg no sheet 4 of 4 size | |
| | | | | dr | L. SANDERS | 1995-03-28 | | 66415 A3 | |
| | | | | engr | L. FYE | 1995-03-28 | | type Product Customer Drawing | |
| | | | | chr | T. BREWBAKER | 1995-03-28 | | | |
| | | | | appd | L. FYE | 1995-03-28 | | | |
| sheet | revision | | | | | | | | |
| index | sheet | | | | | | | | |

FCJ
FCconnect.com

Copyright FCJ

Mouser Electronics

Authorized Distributor

Click to View Pricing, Inventory, Delivery & Lifecycle Information:

[FCI / Amphenol:](#)

[66415-025LF](#) [66415-020LF](#) [66415-022LF](#) [66415-028LF](#) [66415-032LF](#) [66415-029LF](#) [66415-024LF](#) [66415-018LF](#)
[66415-031LF](#) [66415-033LF](#) [66415-010LF](#) [66415-035LF](#) [66415-034LF](#) [66415-026LF](#)