

THIS DRAWING IS UNPUBLISHED.

RELEASED FOR PUBLICATION

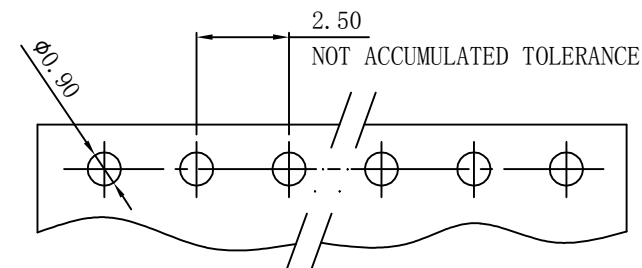
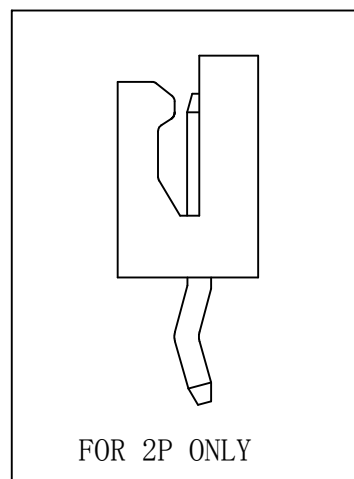
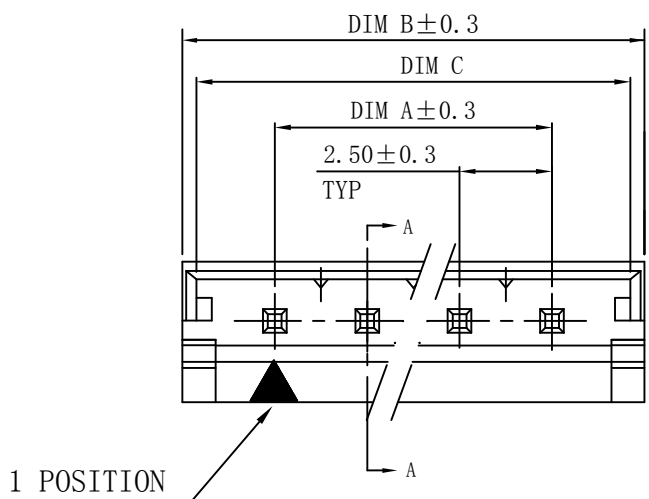
---

REVISIONS

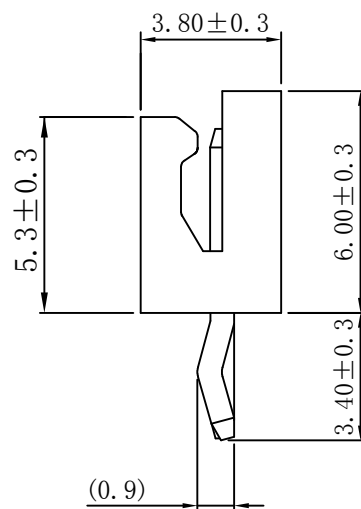
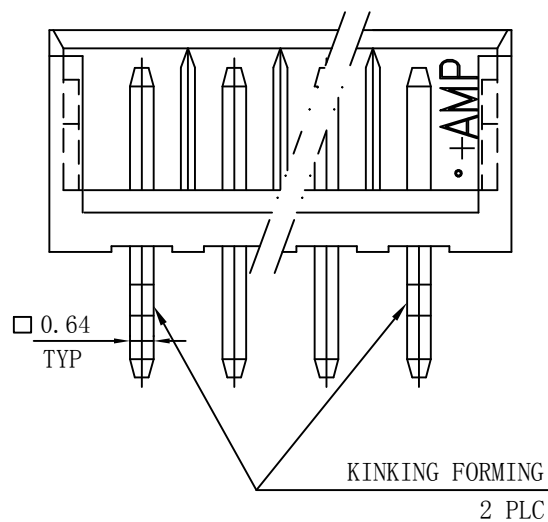
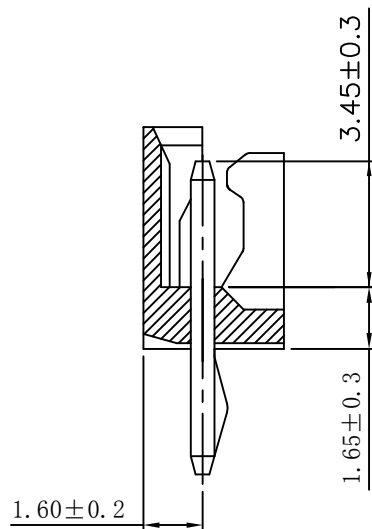
© COPYRIGHT - By -

ALL RIGHTS RESERVED.

P	LTR	DESCRIPTION	DATE	DWN	APVD
C7		ECR-17-017786	06DEC2017	T.Q	W.H



RECOMMEND PCB LAYOUT  
(PCB THK=1.0~1.6)



FOR 3P TO 15P

DIM C	DIM B	DIM A	CIRCUITS	HOUSING COLOR	PART NUMBER
14.2	15.0	10.00	4P	YELLOW	5-440052-2
9.2	10.0	5.00	2P	NATURAL	5-440052-1
14.2	15.0	10.00	3P	NATURAL	4-440052-5
39.2	40.0	35.00	15P	NATURAL	1-440052-5
36.7	37.5	32.50	14P	NATURAL	1-440052-4
34.2	35.0	30.00	13P	NATURAL	1-440052-3
31.7	32.5	27.50	12P	NATURAL	1-440052-2
29.2	30.0	25.00	11P	NATURAL	1-440052-1
26.7	27.5	22.50	10P	NATURAL	1-440052-0
24.2	25.0	20.00	9P	NATURAL	440052-9
21.7	22.5	17.50	8P	NATURAL	440052-8
19.2	20.0	15.00	7P	NATURAL	440052-7
16.7	17.5	12.50	6P	NATURAL	440052-6
14.2	15.0	10.00	5P	NATURAL	440052-5
11.7	12.5	7.50	4P	NATURAL	440052-4
9.2	10.0	5.00	3P	NATURAL	440052-3
6.7	7.5	2.50	2P	NATURAL	440052-2

SECTION A-A

NOTE:

- MATERIAL : HOUSING : THERMOPLASTIC UL94V-0, COLOR: SEE TABLE. CONTACT : BRASS.
- FINISH: CONTACT : 80u" MIN. TIN PLATED ON CONTACT AREA.
- WHEN EXTRACTING RECEPTACLE HOUSING FROM HEADER, NOT WIRE BUT RECEPTACLE HOUSING SHOULD BE CRIPED IN OEDER TO AVOID THE WIRE BREAKAGE.
- PART 4-440052-5 IS PART 440052-5 WITH PIN 2 AND 4 REMOVED.

- PART 5-440052-1 IS PART 440052-3 BUT 2ND PIN REMOVED.
  - PART 5-440052-2 IS PART 440052-5 BUT 4TH PIN REMOVED.
- △ 0% MATERIAL REGRIND PARTS

THIS DRAWING IS A CONTROLLED DOCUMENT.

DIMENSIONS:	TOLERANCES UNLESS OTHERWISE SPECIFIED:
mm	
	0 PLC ± 0.5
	1 PLC ± 0.3
	2 PLC ± 0.2
	3 PLC ± 0.15
	4 PLC ± -
	ANGLES ± -
MATERIAL	FINISH
-	-

DWN	O. HU	09JUN2003
CHK	A. WU	09JUN2003
APVD	J. CHENG	09JUN2003
PRODUCT SPEC	108-57099	
APPLICATION SPEC	-	
WEIGHT	-	
CUSTOMER DRAWING		

**STE** TE Connectivity

2.5 MM PITCH HPI VERTICAL POST HEADERS

SIZE	CAGE CODE	DRAWING NO	RESTRICTED TO
A3	00779	C=440052	-
SCALE	1:1	SHEET	1 OF 5
REV	C7		

THIS DRAWING IS UNPUBLISHED.

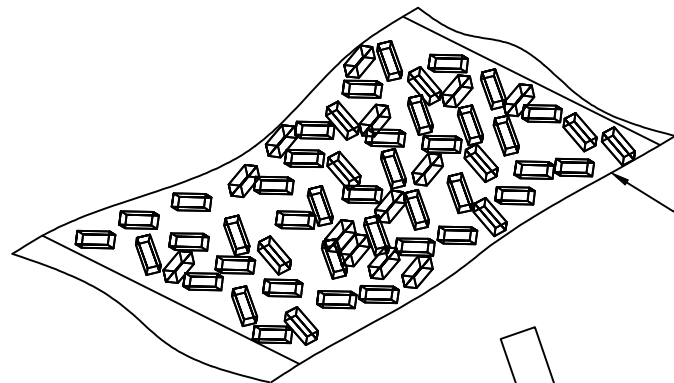
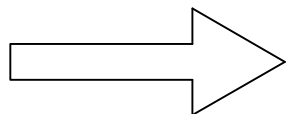
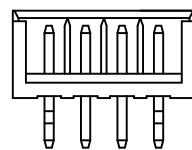
RELEASED FOR PUBLICATION

ALL RIGHTS RESERVED.

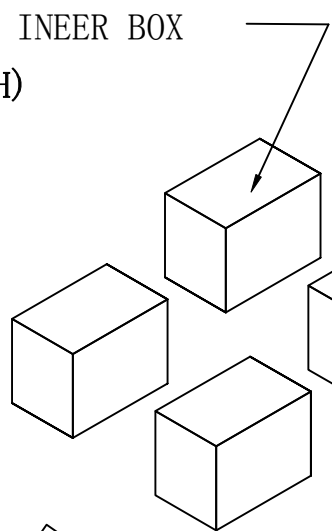
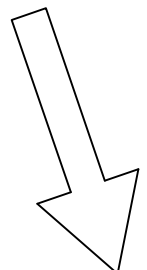
© COPYRIGHT - By -

REVISIONS

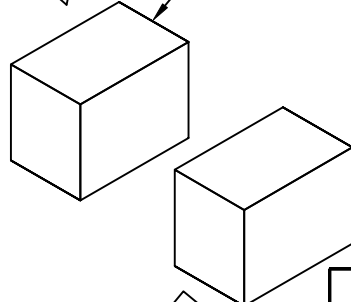
P	LTR	DESCRIPTION	DATE	DWN	APVD
-	-	SEE SHEET 1	-	-	-



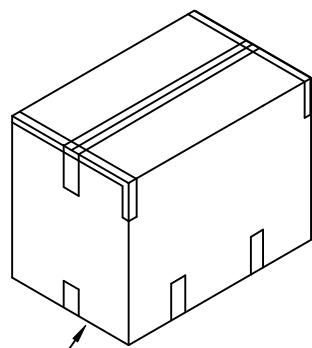
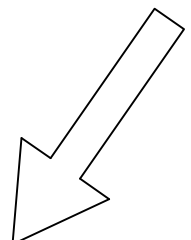
POLY BAG  
127mm(L) X 203mm(W) X 0.07mm(H)



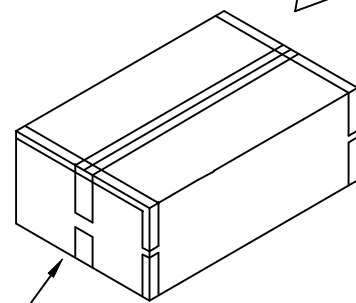
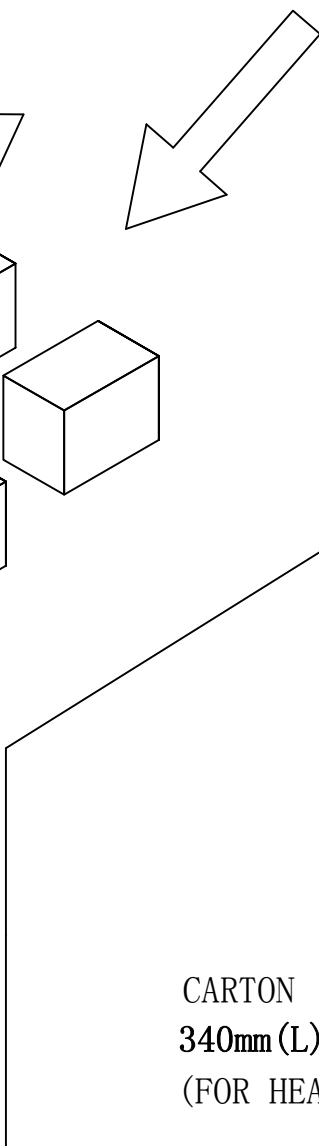
INEER BOX  
320mm(L) X 220mm(W) X 140mm(H)



INEER BOX  
320mm(L) X 220mm(W) X 140mm(H)



CARTON  
340mm(L) X 470mm(W) X 316mm(H)  
(FOR HEADER 6P~16P ONLY)



CARTON  
340mm(L) X 470mm(W) X 168mm(H)  
(FOR HEADER 2P~5P ONLY)

APQ	PPQ	CIRCUITS	HOUSING COLOR	PART NUMBER
20,000	500	4P	YELLOW	5-440052-2
30,000	750	2P	NATURAL	5-440052-1
20,000	500	3P	NATURAL	4-440052-5
12,960	180	15P	NATURAL	1-440052-5
12,000	200	14P	NATURAL	1-440052-4
14,400	200	13P	NATURAL	1-440052-3
16,000	250	12P	NATURAL	1-440052-2
16,000	250	11P	NATURAL	1-440052-1
20,000	250	10P	NATURAL	1-440052-0
21,600	300	9P	NATURAL	440052-9
25,200	350	8P	NATURAL	440052-8
28,000	350	7P	NATURAL	440052-7
35,000	350	6P	NATURAL	440052-6
20,000	500	5P	NATURAL	440052-5
24,000	600	4P	NATURAL	440052-4
30,000	750	3P	NATURAL	440052-3
36,000	1,000	2P	NATURAL	440052-2

THIS DRAWING IS A CONTROLLED DOCUMENT.

DWN	O. HU	09JUN2003	 TE Connectivity	NAME 2.5 MM PITCH HPI VERTICAL POST HEADERS
CHK	A. WU	09JUN2003		
APVD	J. CHENG	09JUN2003		
DIMENSIONS: mm 			PRODUCT SPEC 108-57099	
TOLERANCES UNLESS OTHERWISE SPECIFIED: 0 PLC ± - 1 PLC ± - 2 PLC ± - 3 PLC ± - 4 PLC ± - ANGLES ± -			APPLICATION SPEC -	
MATERIAL -			FINISH -	
WEIGHT 0.000000			SIZE A3	CAGE CODE 00779
CUSTOMER DRAWING			DRAWING NO C=440052	RESTRICTED TO -
SCALE 1:1			SHEET 2 of 5	REV C7

4

3

2

1

THIS DRAWING IS UNPUBLISHED.

RELEASED FOR PUBLICATION

- . - .

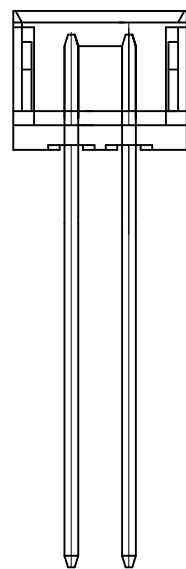
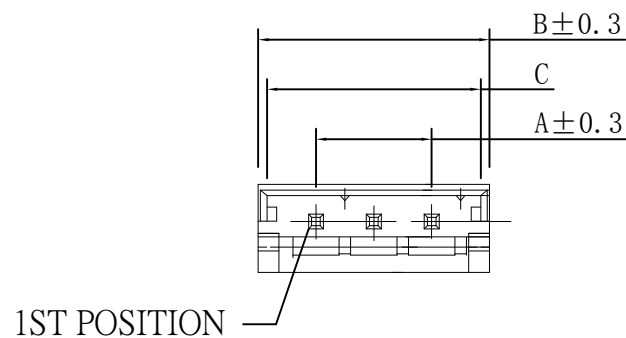
REVISIONS

© COPYRIGHT - By -

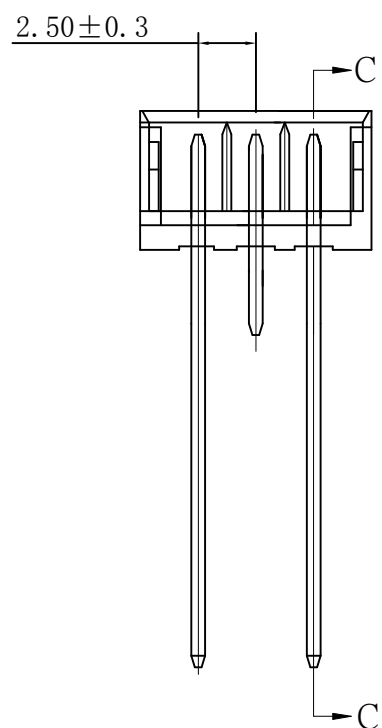
ALL RIGHTS RESERVED.

P	LTR	DESCRIPTION	DATE	DWN	APVD
-	-	SEE SHEET 1	-	-	-

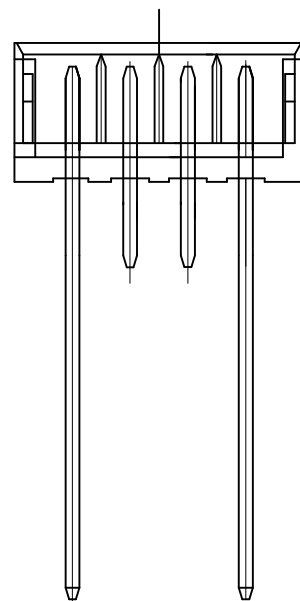
11.7	12.5	7.50	4P	8-440052-4	4-440052-4	
9.2	10.0	5.00	3P	8-440052-3	4-440052-3	
6.7	7.5	2.50	2P	8-440052-2	4-440052-2	
C	B	A	POS	P/N	P/N	



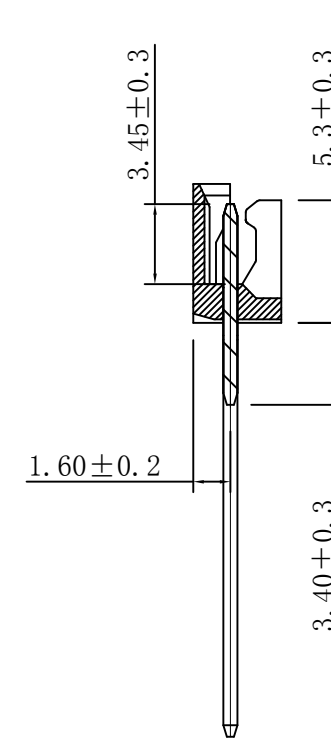
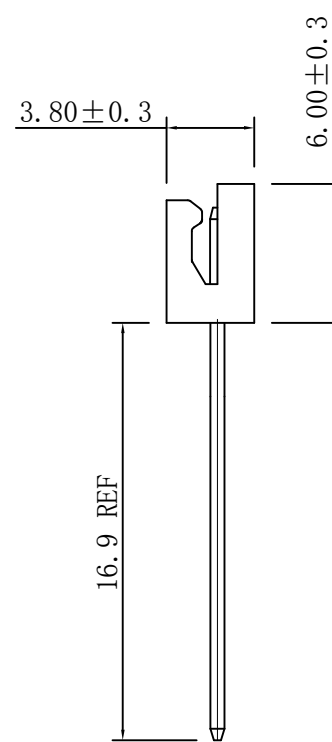
2POS



3POS




4POS



SECTION:C-C

NOTE:

- MATERIAL :  
HOUSING : THERMOPLASTIC UL94V-0,  
COLOR: NATURAL.  
CONTACT : BRASS.
- FINISH:  
CONTACT : 80u" MIN. TIN PLATED ON CONTACT AREA.
- WHEN EXTRACTING RECEPTACLE HOUSING FROM HEADER,  
NOT WIRE BUT RECEPTACLE HOUSING SHOULD BE  
CRIPED IN OEDER TO AVOID THE WIRE BREAKAGE.

THIS DRAWING IS A CONTROLLED DOCUMENT.		DWN O. HU 09JUN2003	 <b>TE Connectivity</b>													
		CHK A. WU 09JUN2003														
DIMENSIONS: mm		APVD J. CHENG 09JUN2003	NAME													
TOLERANCES UNLESS OTHERWISE SPECIFIED:		PRODUCT SPEC														
<table border="0"> <tr><td>0 PLC</td><td>± 0.5</td></tr> <tr><td>1 PLC</td><td>± 0.3</td></tr> <tr><td>2 PLC</td><td>± 0.2</td></tr> <tr><td>3 PLC</td><td>± 0.15</td></tr> <tr><td>4 PLC</td><td>± -</td></tr> <tr><td>ANGLES</td><td>± -</td></tr> </table>		0 PLC	± 0.5	1 PLC	± 0.3	2 PLC	± 0.2	3 PLC	± 0.15	4 PLC	± -	ANGLES	± -	108-57099		
0 PLC	± 0.5															
1 PLC	± 0.3															
2 PLC	± 0.2															
3 PLC	± 0.15															
4 PLC	± -															
ANGLES	± -															
MATERIAL		APPLICATION SPEC														
FINISH		WEIGHT 0.000000														
		SIZE A3 CAGE CODE 00779		DRAWING NO C=440052												
		CUSTOMER DRAWING		RESTRICTED TO -												
		SCALE 1:1		SHEET 3 OF 5												
				REV C7												

THIS DRAWING IS UNPUBLISHED.

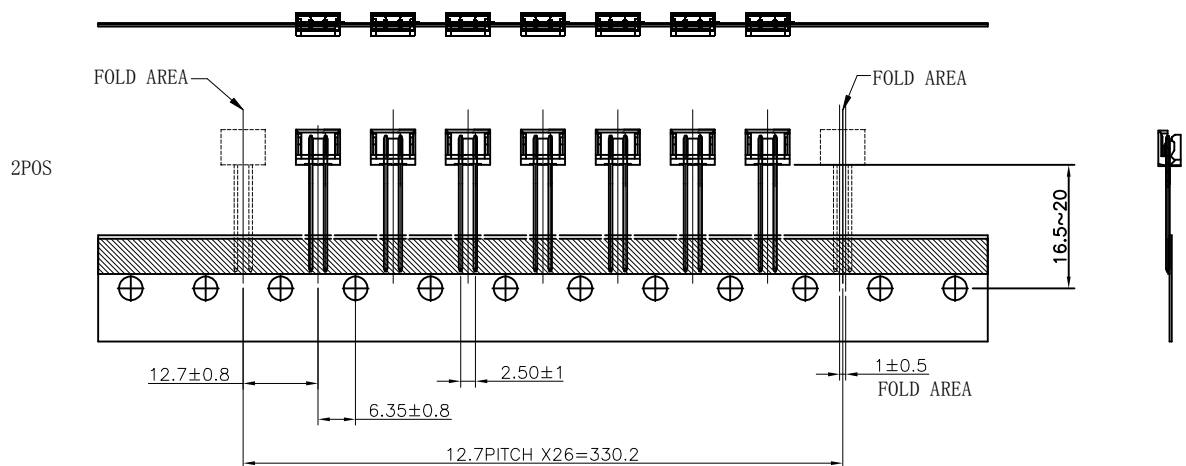
RELEASED FOR PUBLICATION

ALL RIGHTS RESERVED.

© COPYRIGHT - By -

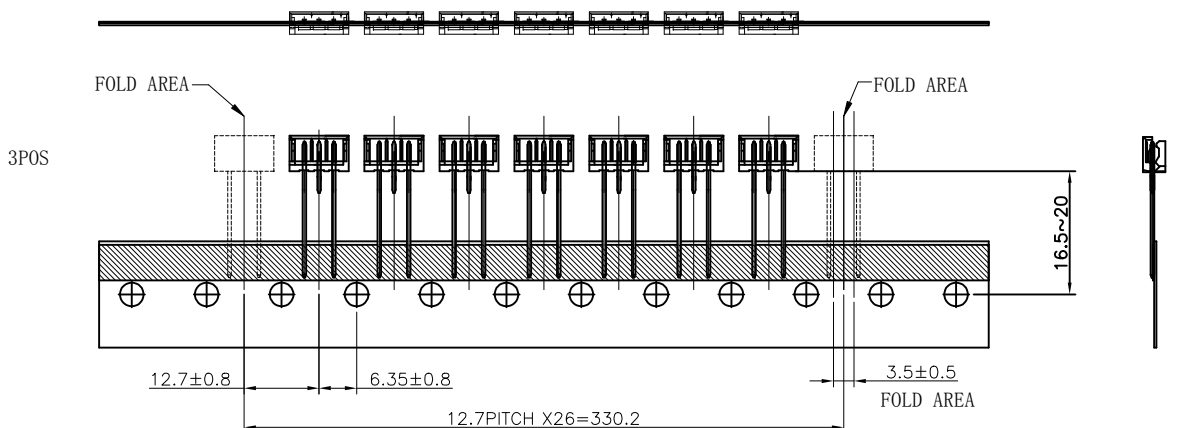
REVISIONS

P	LTR	DESCRIPTION	DATE	DWN	APVD
-	-	SEE SHEET 1	-	-	-

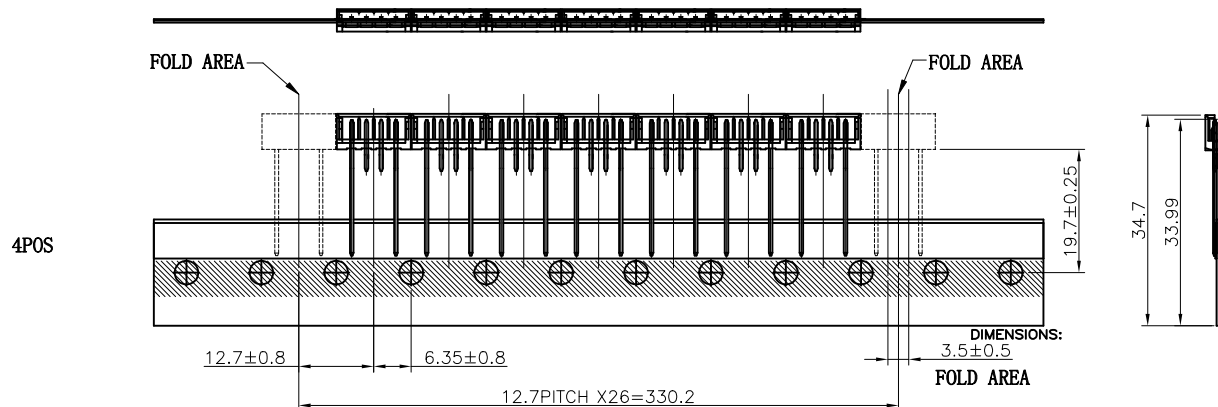


NOTES:

- 1. BRAID: 12.7PITCH\*26=330.2
- 2. CATON: 342\*310\*42mm
- 3. QUANTITY: 2POS--1500pcs/box  
3POS--1500pcs/box  
4POS--720pcs/box

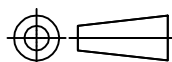


4P	8-440052-4	4-440052-4
3P	8-440052-3	4-440052-3
2P	8-440052-2	4-440052-2
POS	P/N	P/N



THIS DRAWING IS A CONTROLLED DOCUMENT.

DIMENSIONS: mm



MATERIAL

TOLERANCES UNLESS OTHERWISE SPECIFIED:

- 0 PLC ± -
- 1 PLC ± -
- 2 PLC ± -
- 3 PLC ± -
- 4 PLC ± -
- ANGLES ± -

FINISH

DWN O. HU 09JUN2003

CHK A. WU 09JUN2003

APVD J. CHENG 09JUN2003

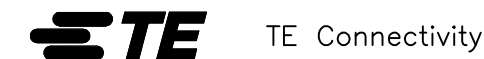
PRODUCT SPEC

108-57099

APPLICATION SPEC

WEIGHT 0.000000

CUSTOMER DRAWING



NAME

2.5 MM PITCH HPI VERTICAL POST HEADERS

SIZE CAGE CODE DRAWING NO RESTRICTED TO

A3 00779 C=440052

SCALE 1:1 SHEET 4 OF 5 REV C7

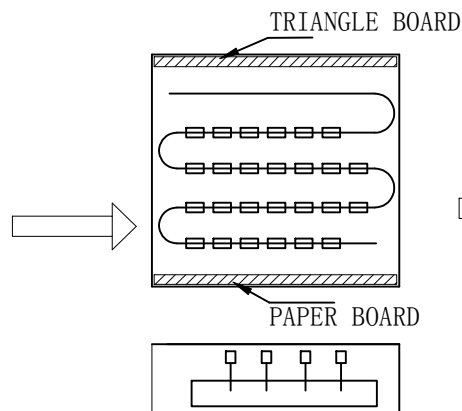
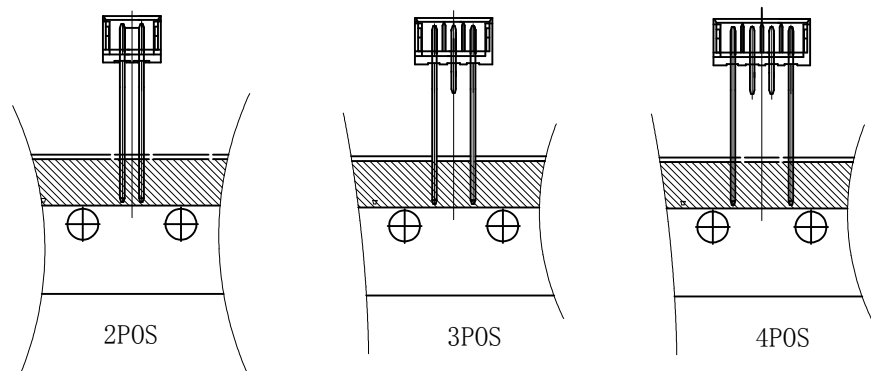
THIS DRAWING IS UNPUBLISHED.

RELEASED FOR PUBLICATION

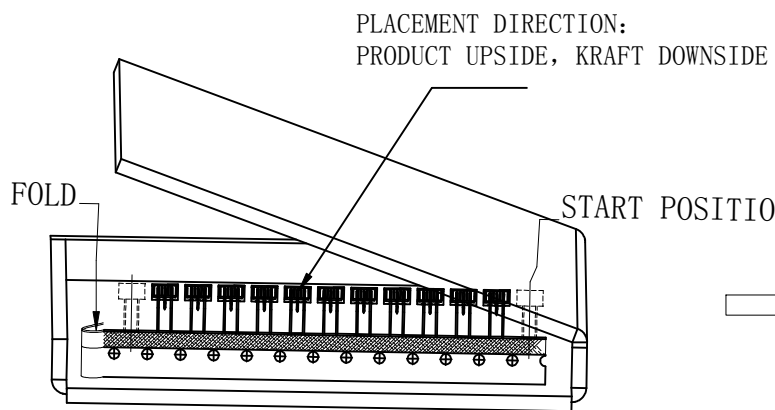
ALL RIGHTS RESERVED.

REVISIONS

P	LTR	DESCRIPTION	DATE	DWN	APVD
-	-	SEE SHEET 1	-	-	-



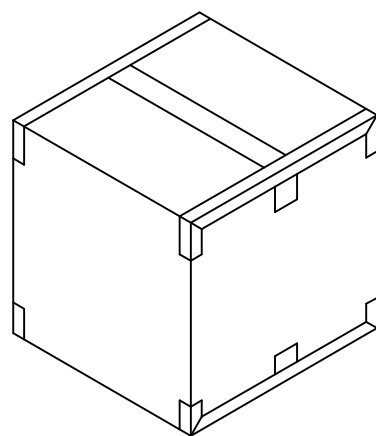
1、SPONGE:12.7PITCH\*26=330.2



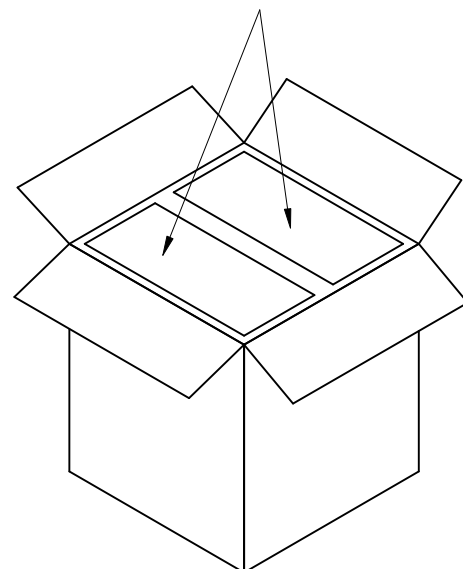
1、QUANTITY:2POS--1500pcs/BOX  
 3POS--1500pcs/BOX  
 4POS--720pcs/BOX

LABEL LOCATION AREA

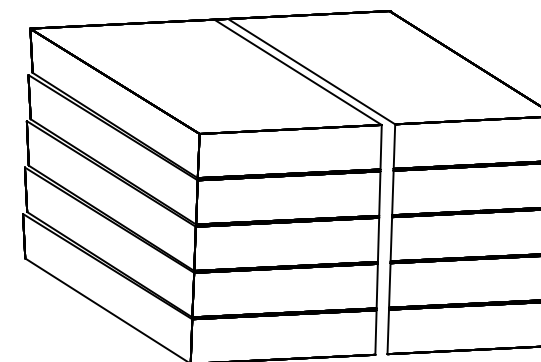
TOTAL 2 COLUMNS



QUANTITY:  
 2POS&3POS:1500x10=15000PCS  
 4POS:720x10=7200PCS



DIM: 600\*370\*240



1 COLUMN

	△	
4P	8-440052-4	4-440052-4
3P	8-440052-3	4-440052-3
2P	8-440052-2	4-440052-2
POS	P/N	P/N

THIS DRAWING IS A CONTROLLED DOCUMENT.		DWN O. HU 09JUN2003	<b>STE</b> TE Connectivity	
DIMENSIONS: mm		CHK A. WU 09JUN2003		
TOLERANCES UNLESS OTHERWISE SPECIFIED:		APVD J. CHENG 09JUN2003	NAME	
0 PLC ± -		PRODUCT SPEC		2.5 MM PITCH HPI VERTICAL POST HEADERS
1 PLC ± -		APPLICATION SPEC		
2 PLC ± -		108-57099		SIZE
3 PLC ± -		-		CAGE CODE
4 PLC ± -		-		DRAWING NO
ANGLES ± -		-		RESTRICTED TO
MATERIAL		WEIGHT 0.000000		A3 00779
FINISH		CUSTOMER DRAWING		C=440052
		SCALE 1:1		SHEET 5 of 5
				REV C7