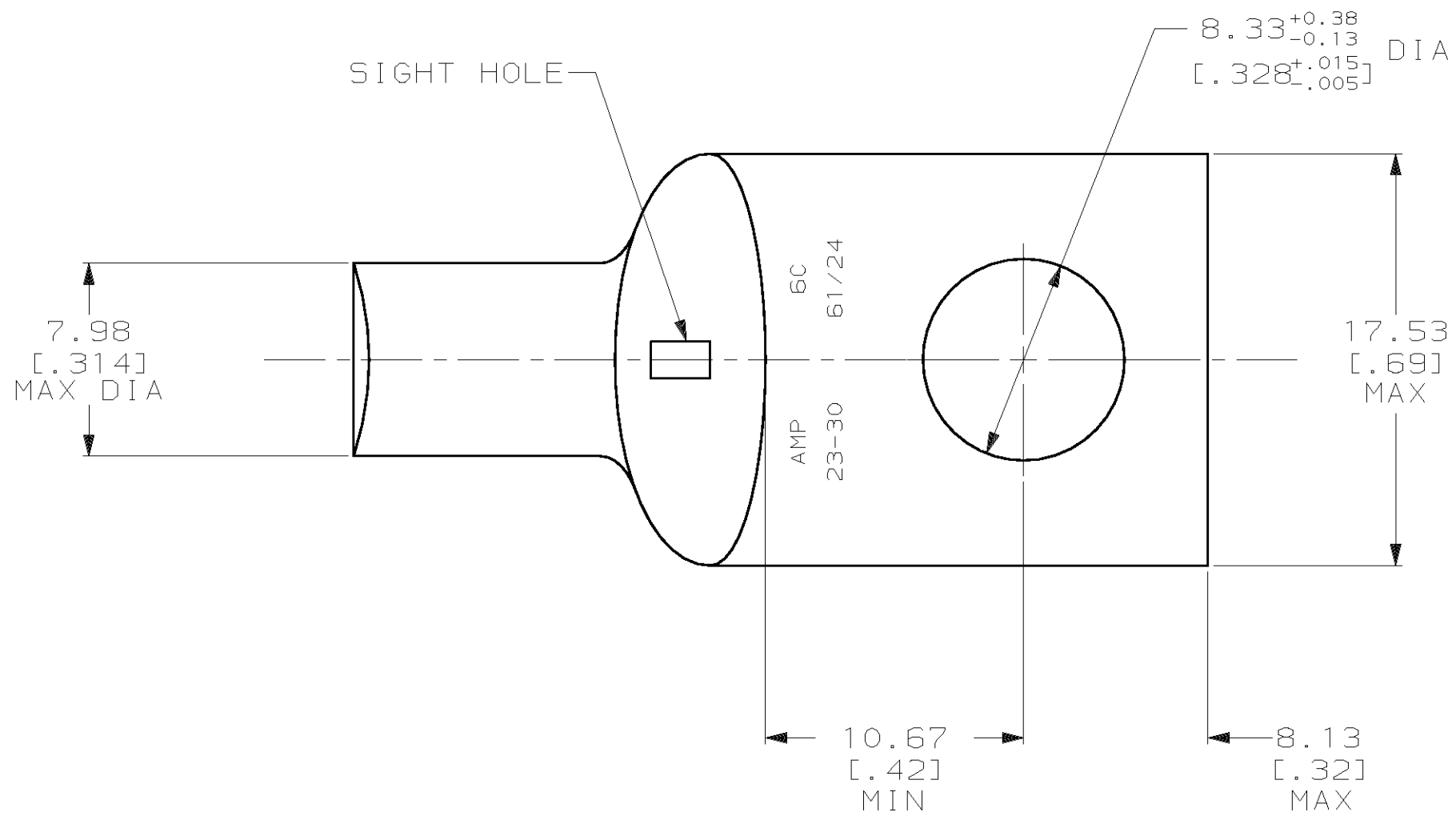
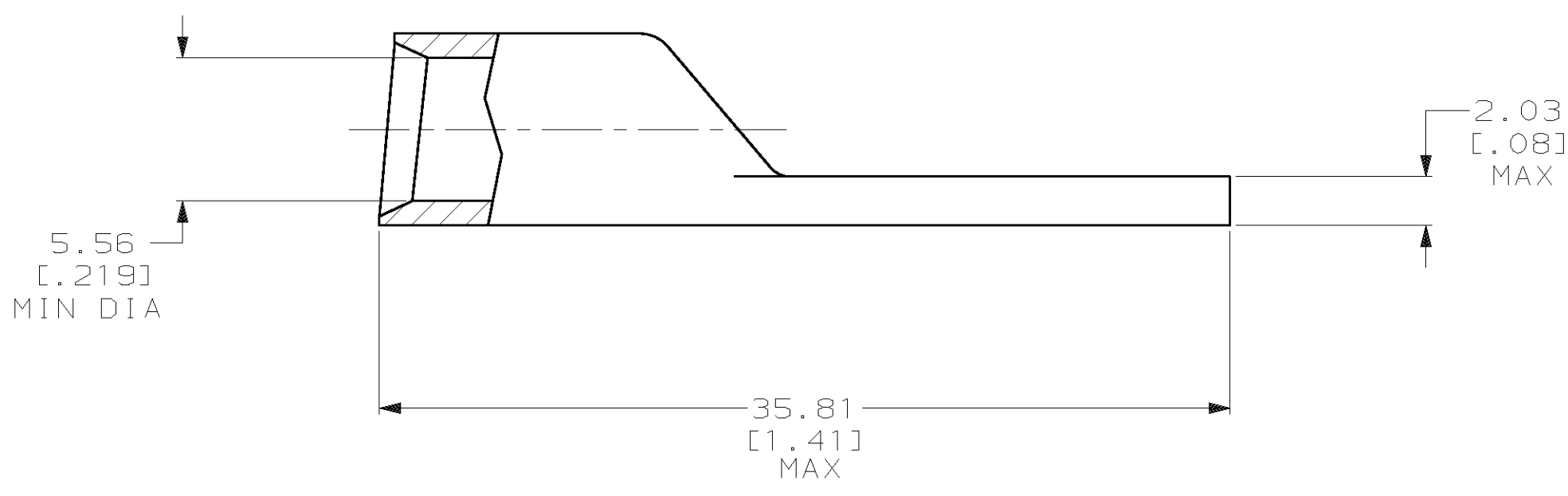


THIS DRAWING IS UNPUBLISHED. RELEASED FOR PUBLICATION
 © COPYRIGHT 19 BY AMP INCORPORATED. ALL INTERNATIONAL RIGHTS RESERVED.

REVISIONS									
LOC	DIST	P	F	ZONE	LTR	DESCRIPTION	DATE	APPD	
G	86				5	REV / 0G10-0059-99	26APR99	ME/TH	



1 CIRCULAR MIL AREA RANGE: 20,800-33,100 CM
 2 TIN PL 0.00381 [0.00150] MIN THK PER ASTM B 545



328143

328143
 PART NO

DO NOT SCALE PRINT. UNLESS SPECIFIED DIMENSIONS IN mm [INCHES] TOLERANCES ON: 2 PLC DEC ± 0.51 [0.020] 3 PLC DEC ± - ANGLES ± -	DR 02/28/90 DK 5CHRUM	AMP INCORPORATED Harrisburg, Pa. 17105
	CHK 19JAN95 MS FEHER	
MATERIAL	APPD 19JAN95 WJ VOCKROTH	TERMINAL, AMPOWER™, WIRE SIZE: 6 AWG
ANNEALED COPPER ASTM B-152	APPD 19JAN95 TL SHUTTER	
FINISH	PRODUCT SPEC 108-30200	SIZE
	APPLICATION SPEC -	CAGE CODE
	WEIGHT .015 LB	DRAWING NO
		SCALE
		SHEET



Mouser Electronics

Authorized Distributor

Click to View Pricing, Inventory, Delivery & Lifecycle Information:

[TE Connectivity:](#)

[328143](#)