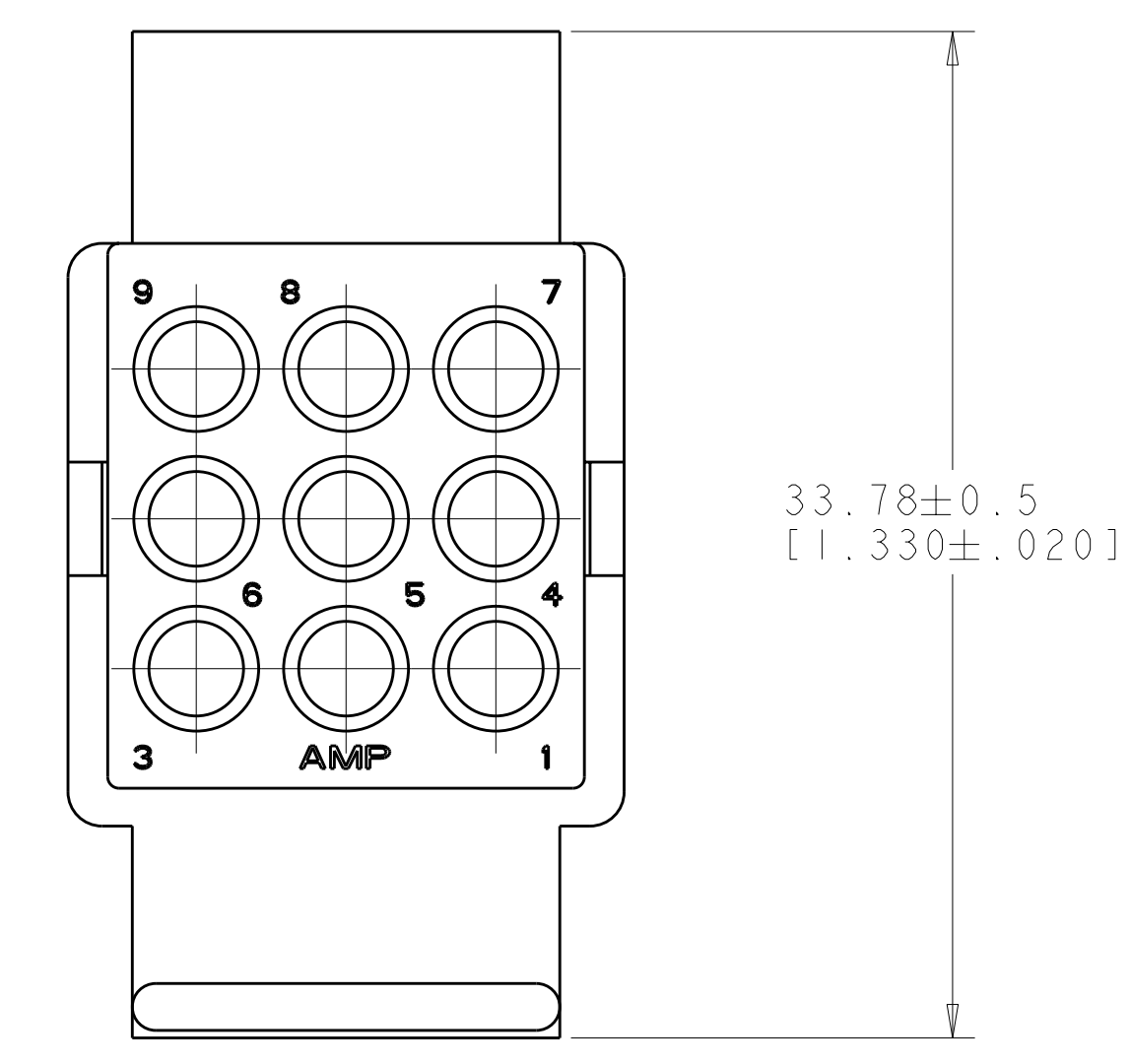
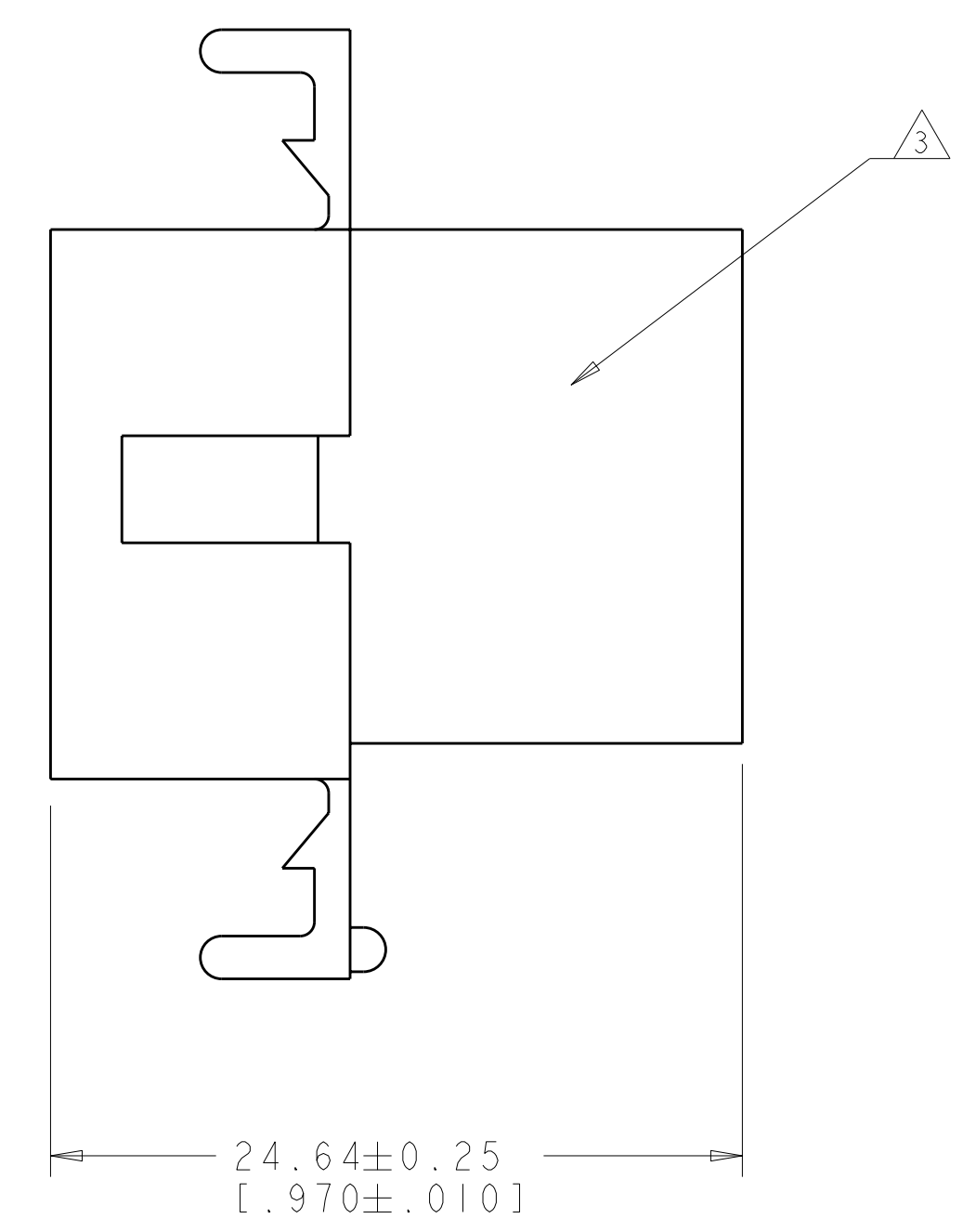
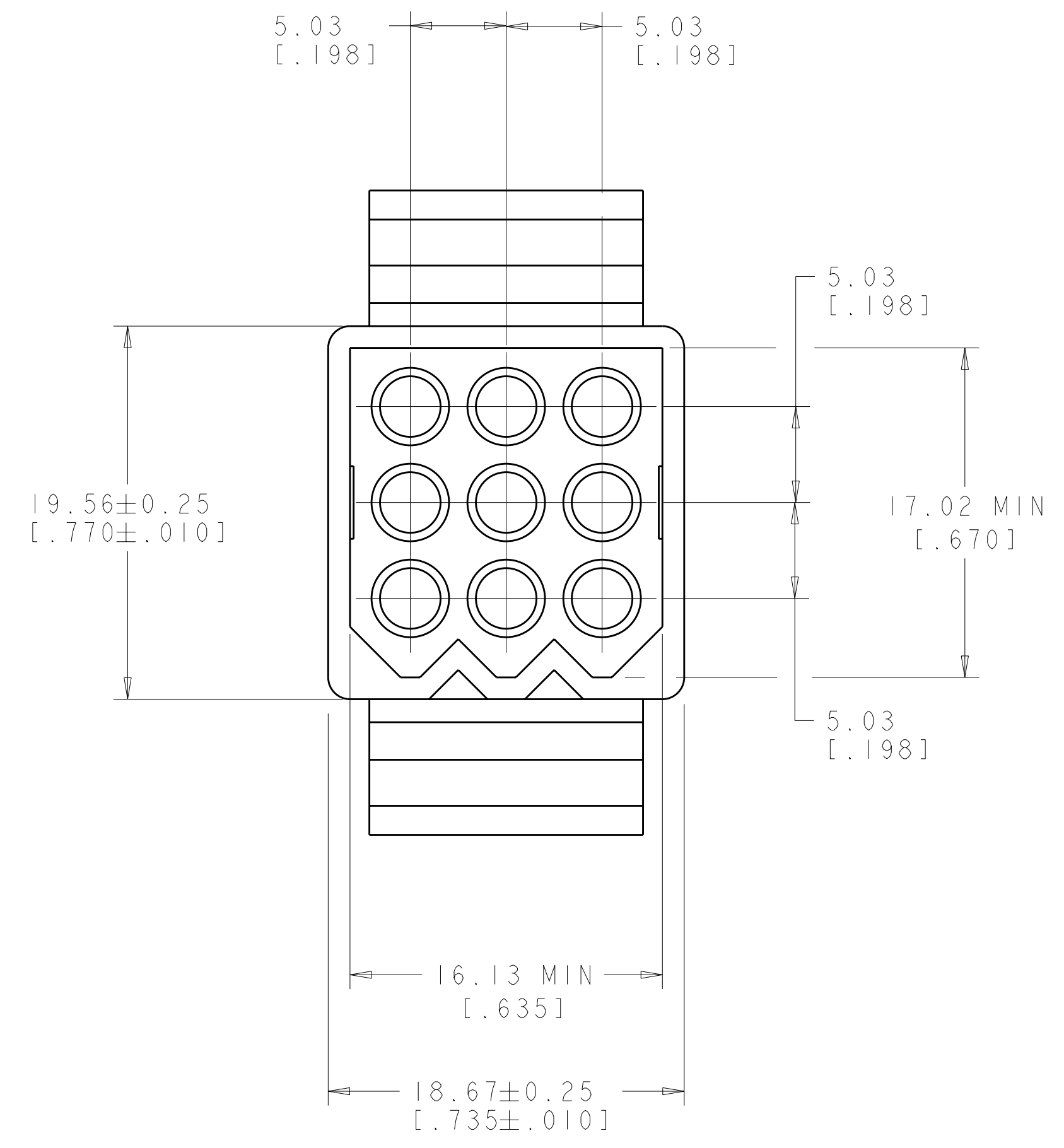
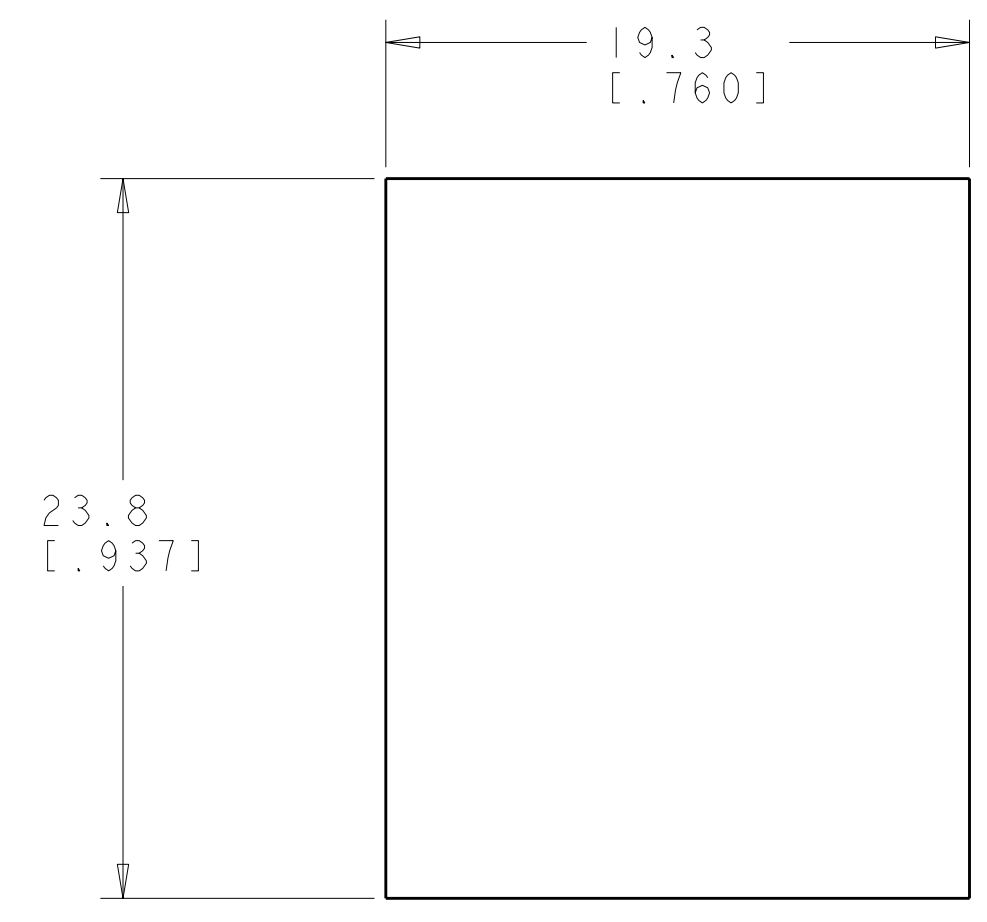
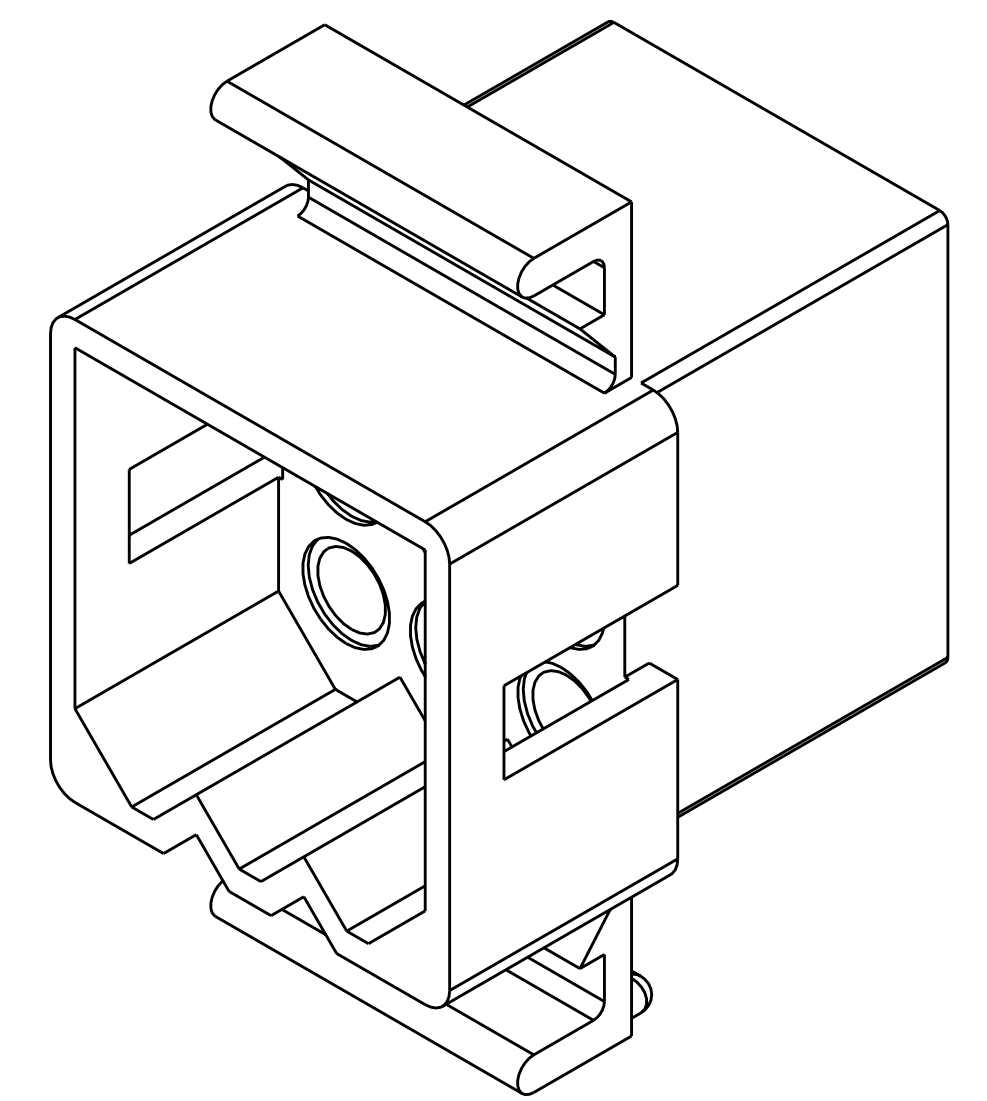


LOC	DIST	REV	DATE	DWN	APVD
CM	00	F	ECO-07-020239	28AUG2007	KW CC



- 1 MATERIAL: NYLON UL94V-2 (NATURAL).
- 2. RECOMMENDED PANEL THICKNESS 2.29 [.090].
- 3 MARKING FOR UL LOGO AND CSA LOGO LOCATED APPROXIMATELY AS SHOWN..



RECOMMENDED PANEL CUTOUT



0.246 IN ³	770108-1
VOLUME	PART NUMBER

<small>THIS DRAWING IS UNPUBLISHED. RELEASED FOR PUBLICATION BY TYCO ELECTRONICS CORPORATION. ALL RIGHTS RESERVED.</small>		DWN: R. WHITAKER 15OCT2007 CHK: C. CASH 15OCT2007 APVD: C. CASH 15OCT2007	Tyco Electronics Harrisburg, PA 17105-3608
DIMENSIONS: mm [INCHES]	TOLERANCES UNLESS OTHERWISE SPECIFIED: 9 PLC ± 8 PLC ± 5 PLC ±0.13(.005) 4 PLC ± ANGLES ±	NAME: PLUG, 9 CIRCUIT, .093 COMMERCIAL PIN AND SOCKET PRODUCT SPEC: APPLICATION SPEC: WEIGHT:	SIZE: A 00779 C=770108 RESTRICTED TO:
MATERIAL: FINISH:		CUSTOMER DRAWING	SCALE: 4:1 SHEET 1 OF 1 REV F

Mouser Electronics

Authorized Distributor

Click to View Pricing, Inventory, Delivery & Lifecycle Information:

[TE Connectivity:](#)

[770108-1](#)