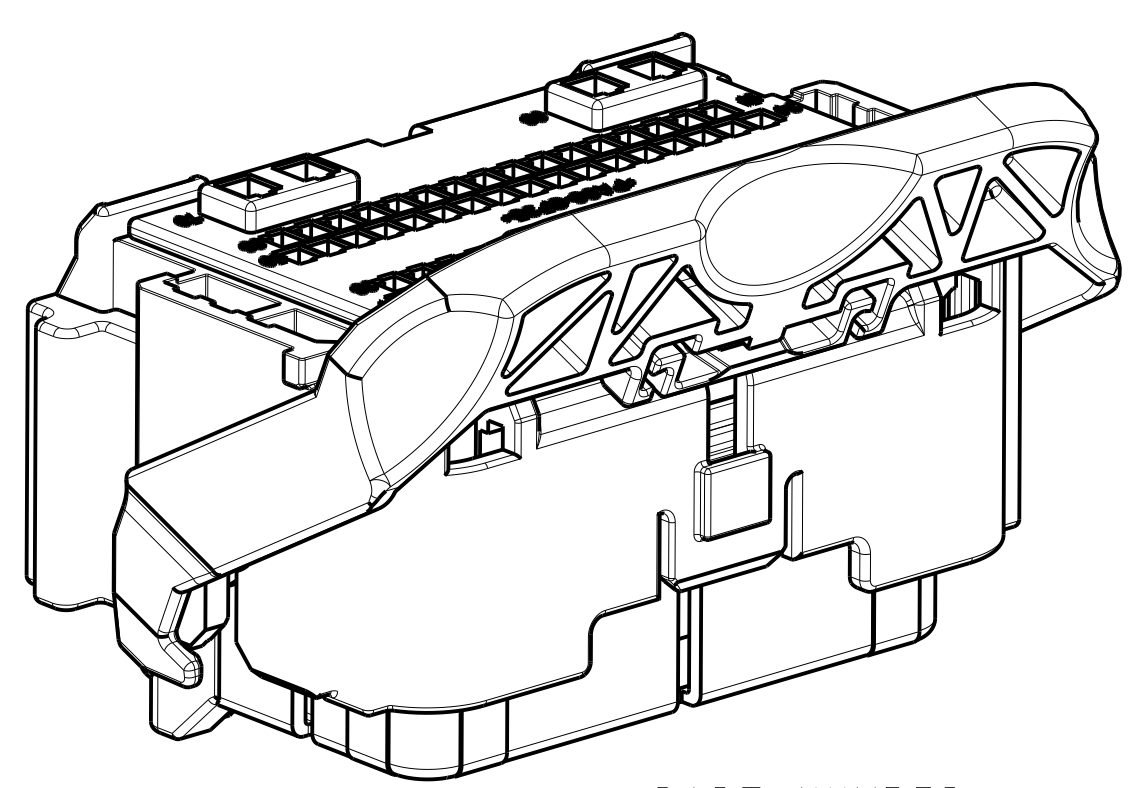
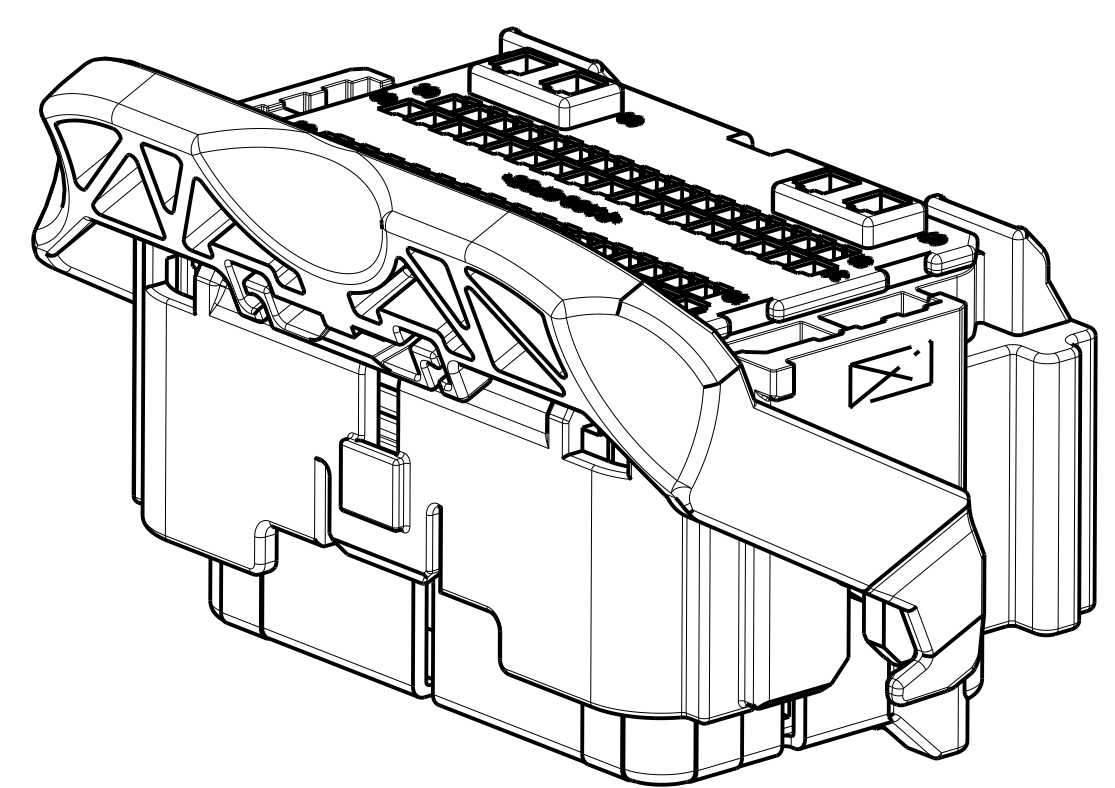
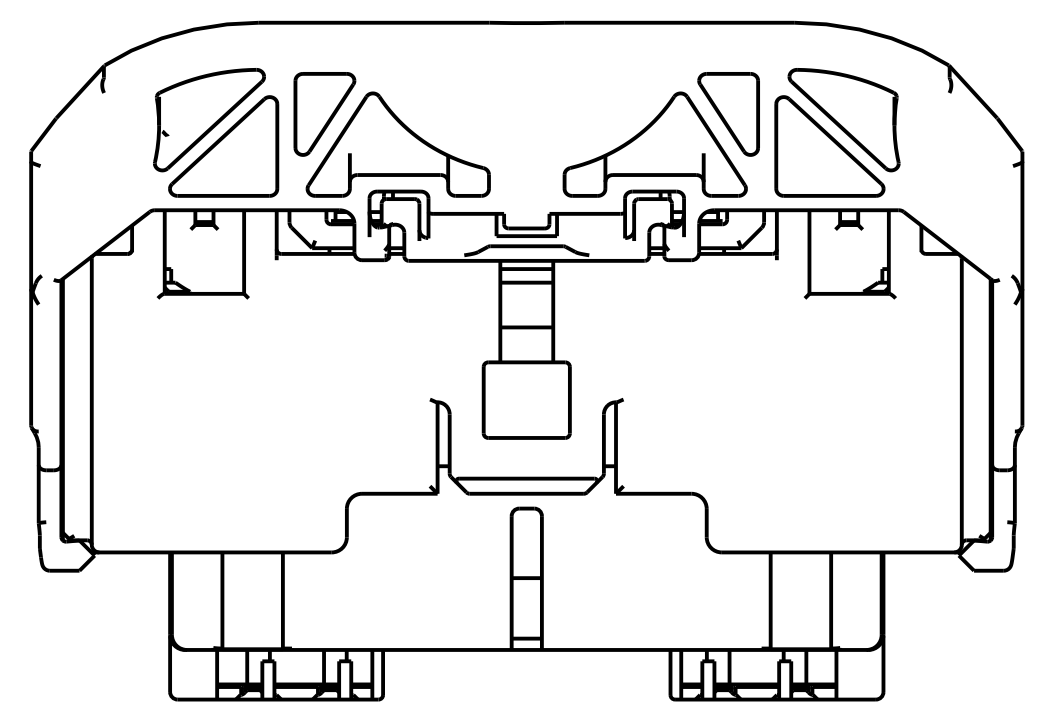


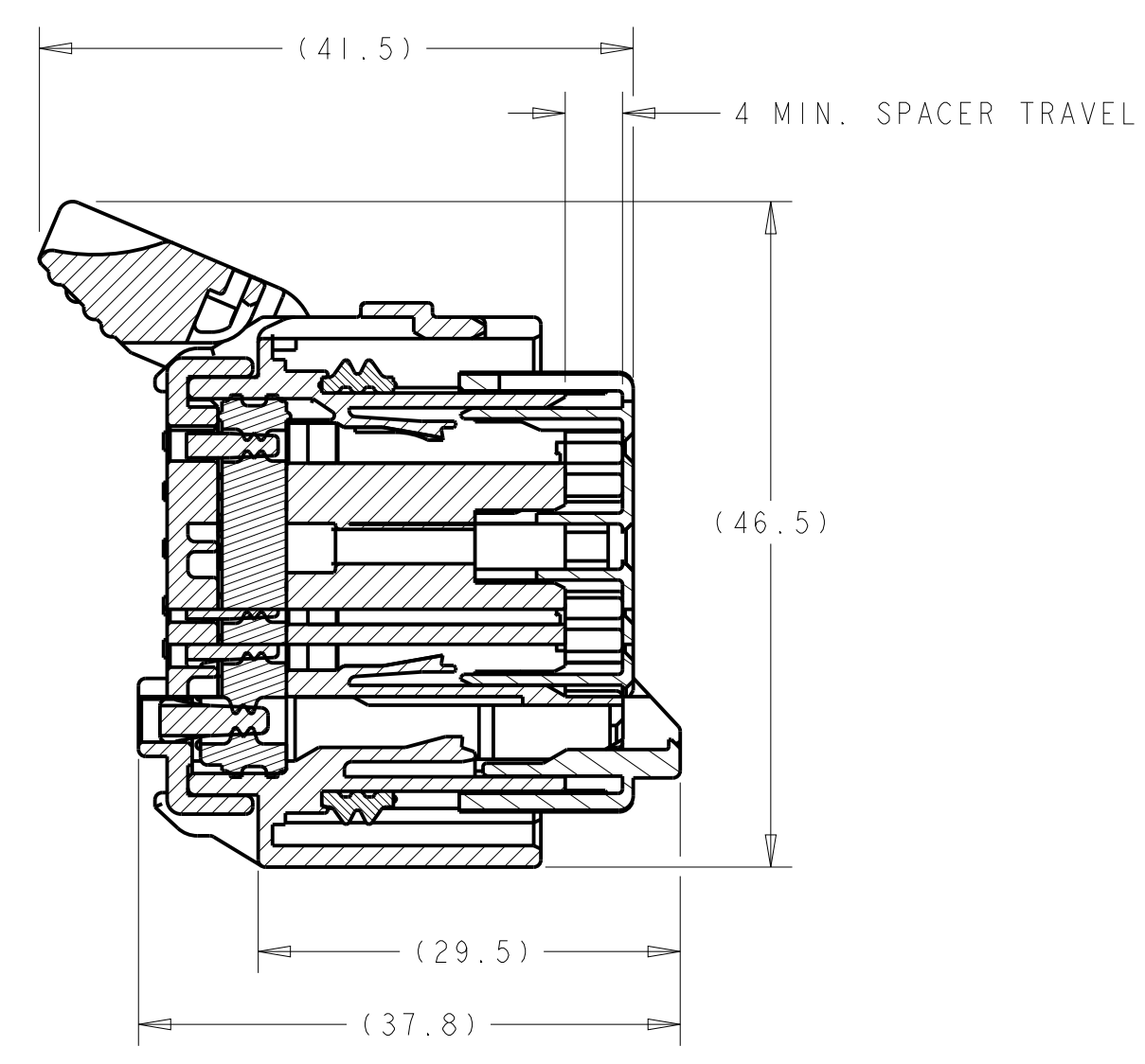
REVISIONS				
P.	LTN.	DESCRIPTION	DATE	APVD.
G45		REVISED PER ECO-13-011449	16JUL2013	DLD DCM
G46		REVISED PER ECO-14-007153	19MAY2014	DLD DCM
G47		REVISED PER ECO-14-014965	09OCT2013	DLD DCM



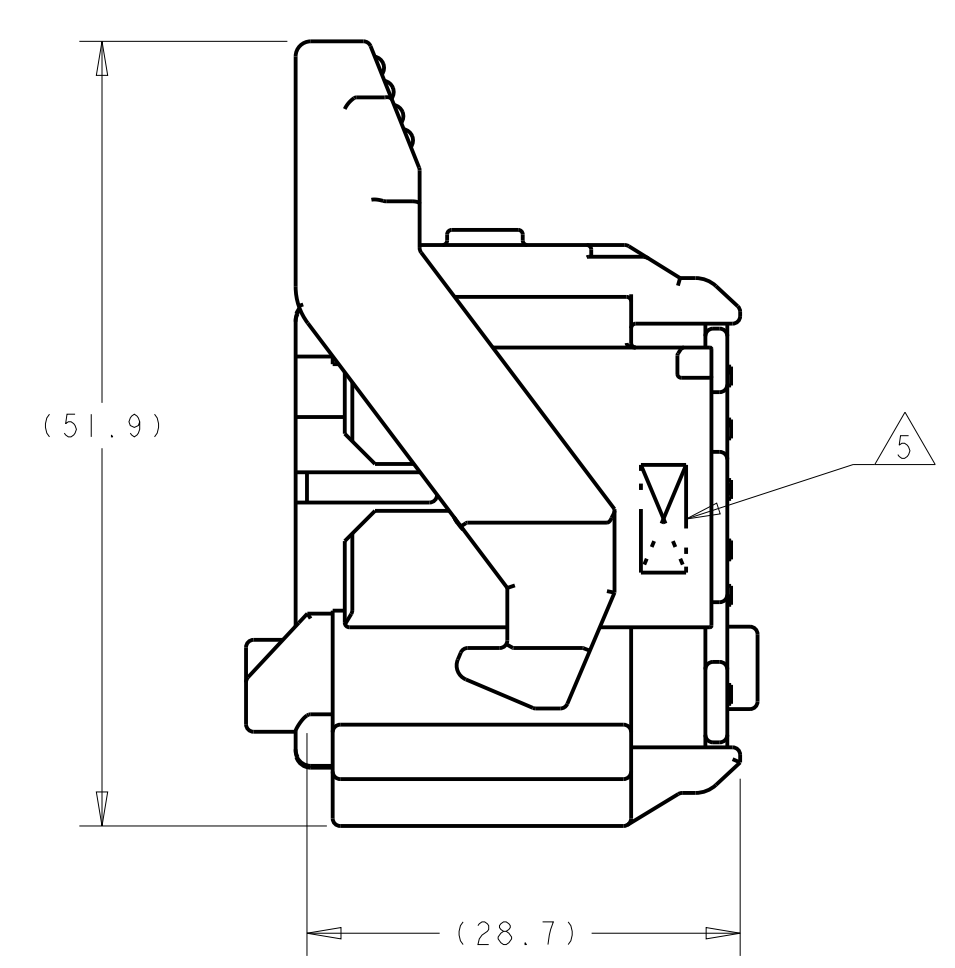
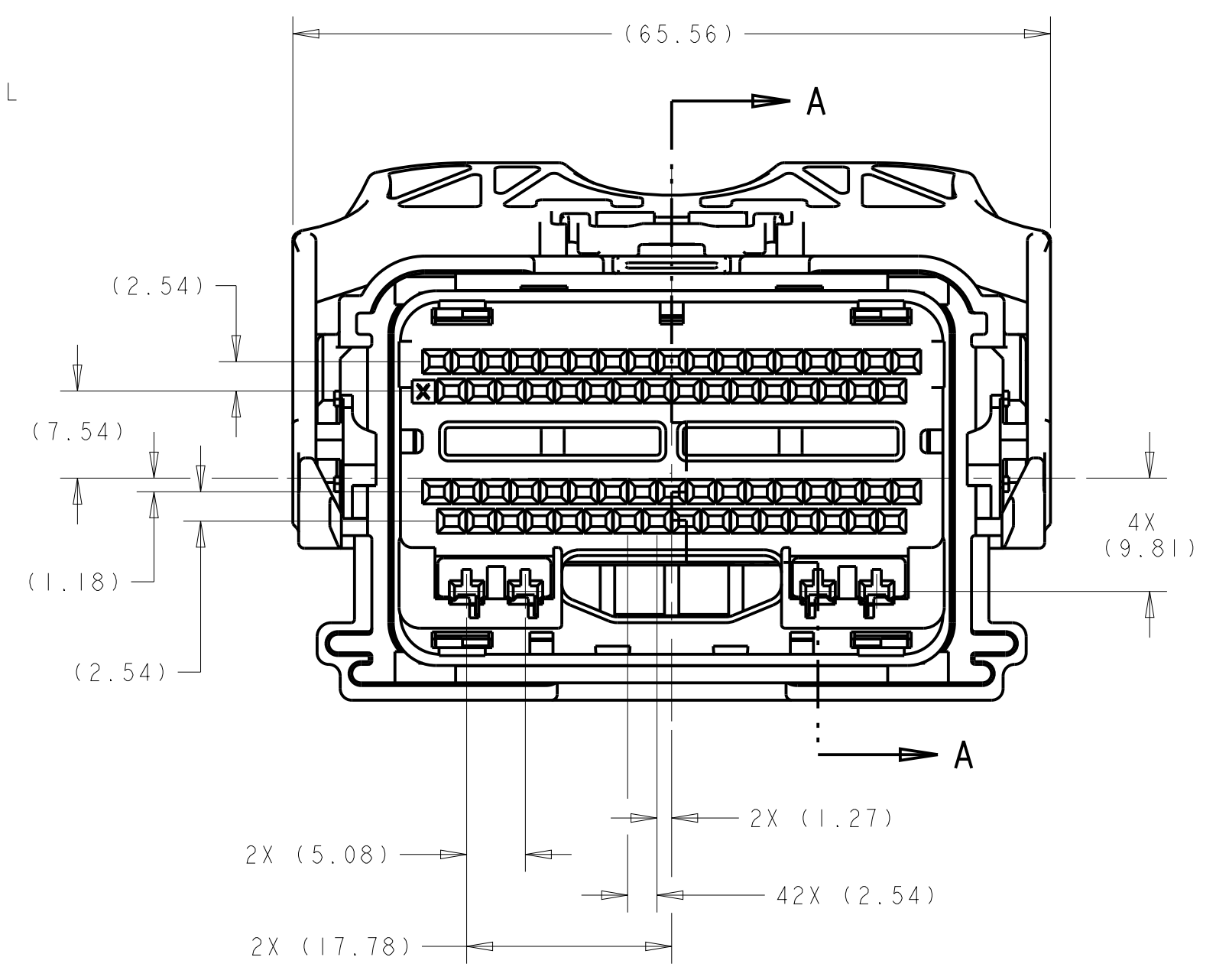
PART NUMBER:
1438136-1
SHOWN WITH SPACER
IN SEATED POSITION



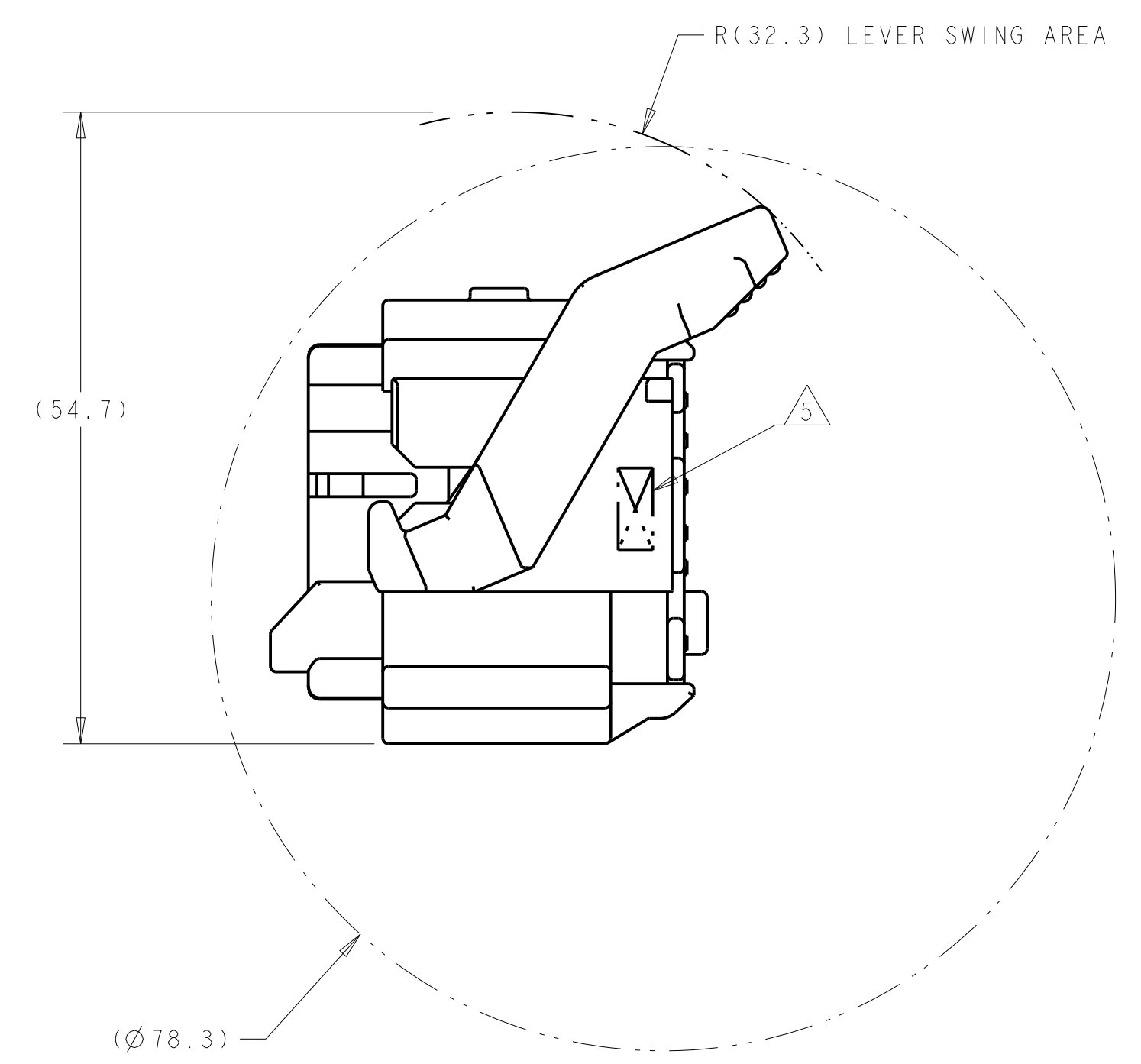
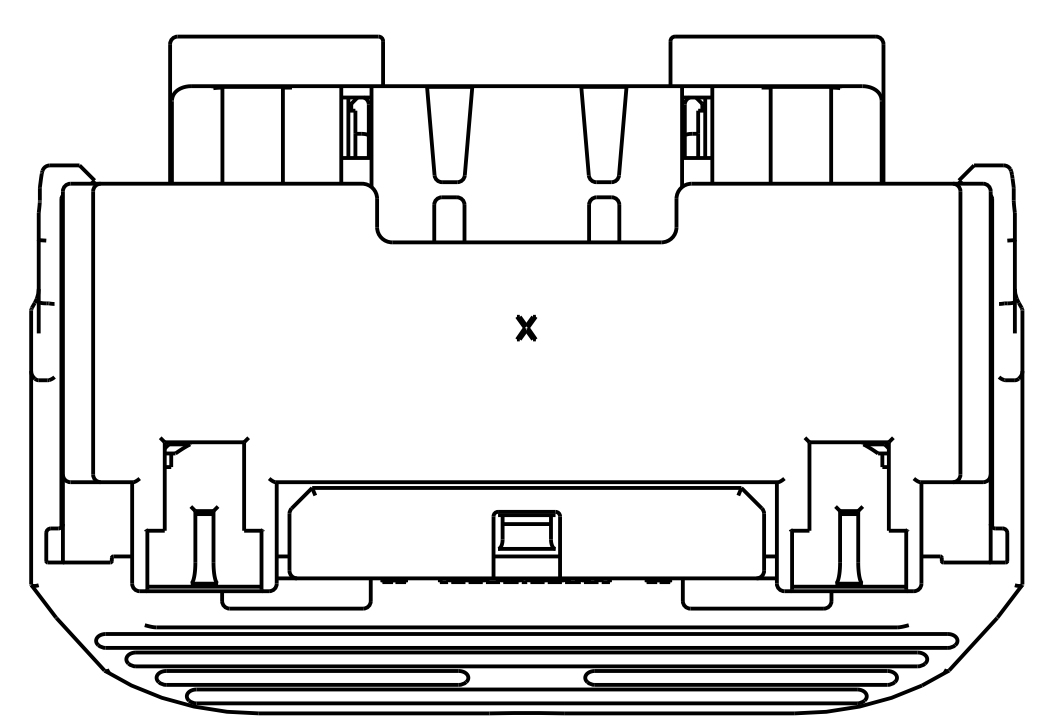
1. PRINT FORD PART NUMBER (SEE ATTACHED CHARTS) AND TRACEABILITY CODE (YY = 2 DIGIT YEAR, JJJ = JULIAN DATE, HH = 2 DIGIT MILITARY HOUR) IN THIS LOCATION AT ASSEMBLY. SEE SHEETS 3, 4 AND 5 (-*) PART NUMBERS.
 2. APPLICABLE MOLEX (1.5) POWER TERMINAL PART NUMBERS:
33012-0002 TIN 0.50-1.50mm²
 3. CAM LEVER AND SPACER ARE SHIPPED IN THEIR PRE-ASSEMBLED POSITIONS.
 4. REFERENCE TE INSTRUCTION SHEET 408-8893.
- △ COMPANY LOGO.



SECTION A-A
SPACER AND LEVER
IN PRE-SEATED POSITION
(DELIVERY POSITION)



SHOWN WITH CAM
LEVER AND SPACER
IN LOADED POSITION



MIN. FEED THRU CONDITION
WITH 1mm CLEARANCE ALL AROUND
SHOWN WITH SPACER IN SEATED POSITION

APPLICABLE COMPONENTS (FOR REFERENCE ONLY)						
DESCRIPTION	NOMINAL TERMINAL SIZE	COLOR/PLATING	FORD COMPONENT PART NUMBER	SUPPLIER PART NUMBER	MATERIAL/SPECIFICATION NUMBER	SAE WIRE SIZE
TERMINAL - FEMALE (Ag)	0.64 (CAT. 0)	SILVER	7S4T-14474-AA	1393366-2	COPPER ALLOY/SILVER PLATE	20AWG 18AWG
TERMINAL - FEMALE (Ag)	0.64 (CAT. 0)	SILVER	7S4T-14474-BA	1393367-2	COPPER ALLOY/SILVER PLATE	22AWG
TERMINAL - FEMALE (Sn)	0.64 (CAT. 0)	TIN	1L2T-14474-AA	1393366-1	COPPER ALLOY/TIN PLATE	20AWG 18AWG
TERMINAL - FEMALE (Sn)	0.64 (CAT. 0)	TIN	1L2T-14474-BA	1393367-1	COPPER ALLOY/TIN PLATE	22AWG
TERMINAL - FEMALE (Au)	0.64 (CAT. 0)	GOLD	1L2T-14474-CA	1393365-1	COPPER ALLOY/GOLD PLATE	20AWG 18AWG
TERMINAL - FEMALE (Au)	0.64 (CAT. 0)	GOLD	1L2T-14474-DA	1393364-1	COPPER ALLOY/GOLD PLATE	22AWG

SEE SHEETS 3 THRU 7
PART NUMBER

THIS DRAWING IS A CONTROLLED DOCUMENT.

OWN: R. VESTAL 15APR2005	CHK: T. VALASEK 15APR2005	APVD: T. VALASEK 15APR2005	NAME: T. VALASEK
DIMENSIONS: mm		TOLERANCES UNLESS OTHERWISE SPECIFIED:	
0 PLC ±0.3		1 PLC ±0.10	
2 PLC ±0.10		3 PLC ±0.10	
4 PLC ±0.10		ANGLES ±1°	
MATERIAL: -	FINISH: -	WEIGHT: -	RESTRICTED TO: -
CUSTOMER DRAWING		SCALE: 2:1	SHEET 1 OF 11

STE TE Connectivity

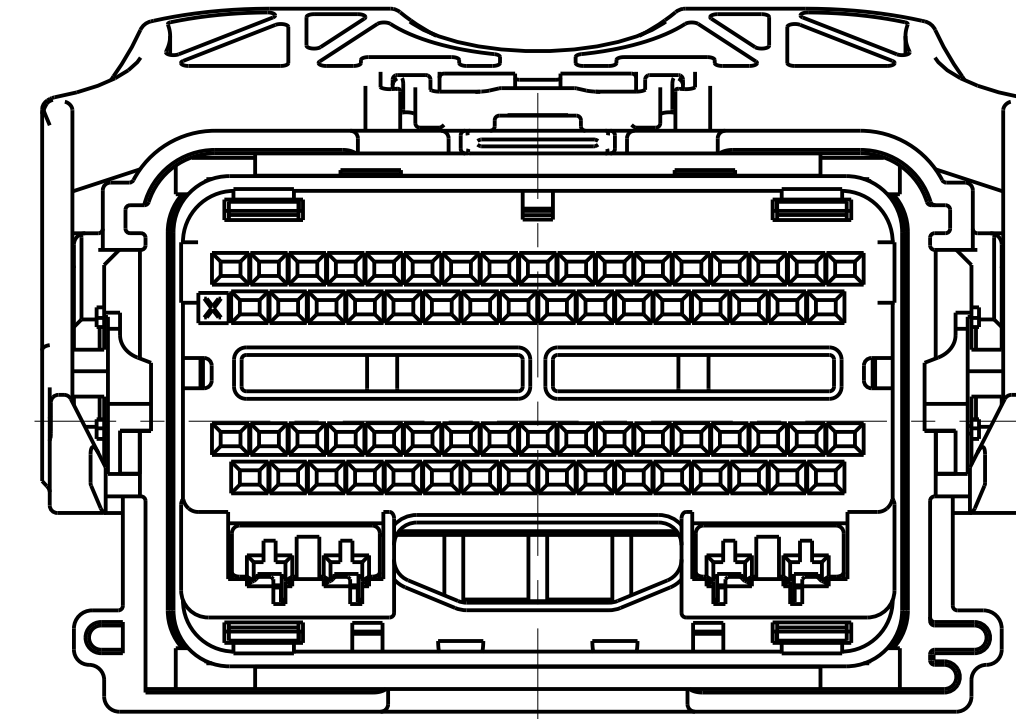
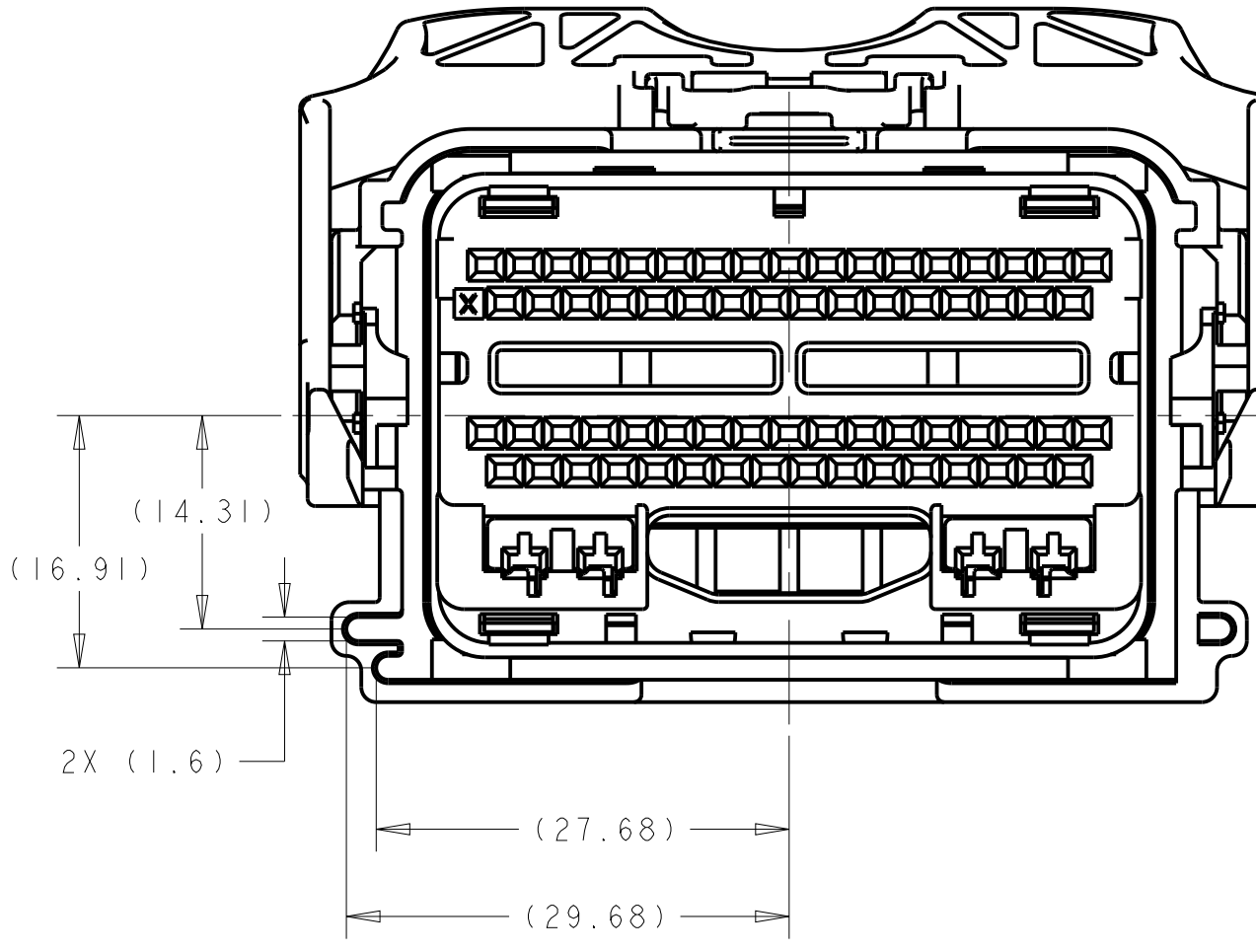
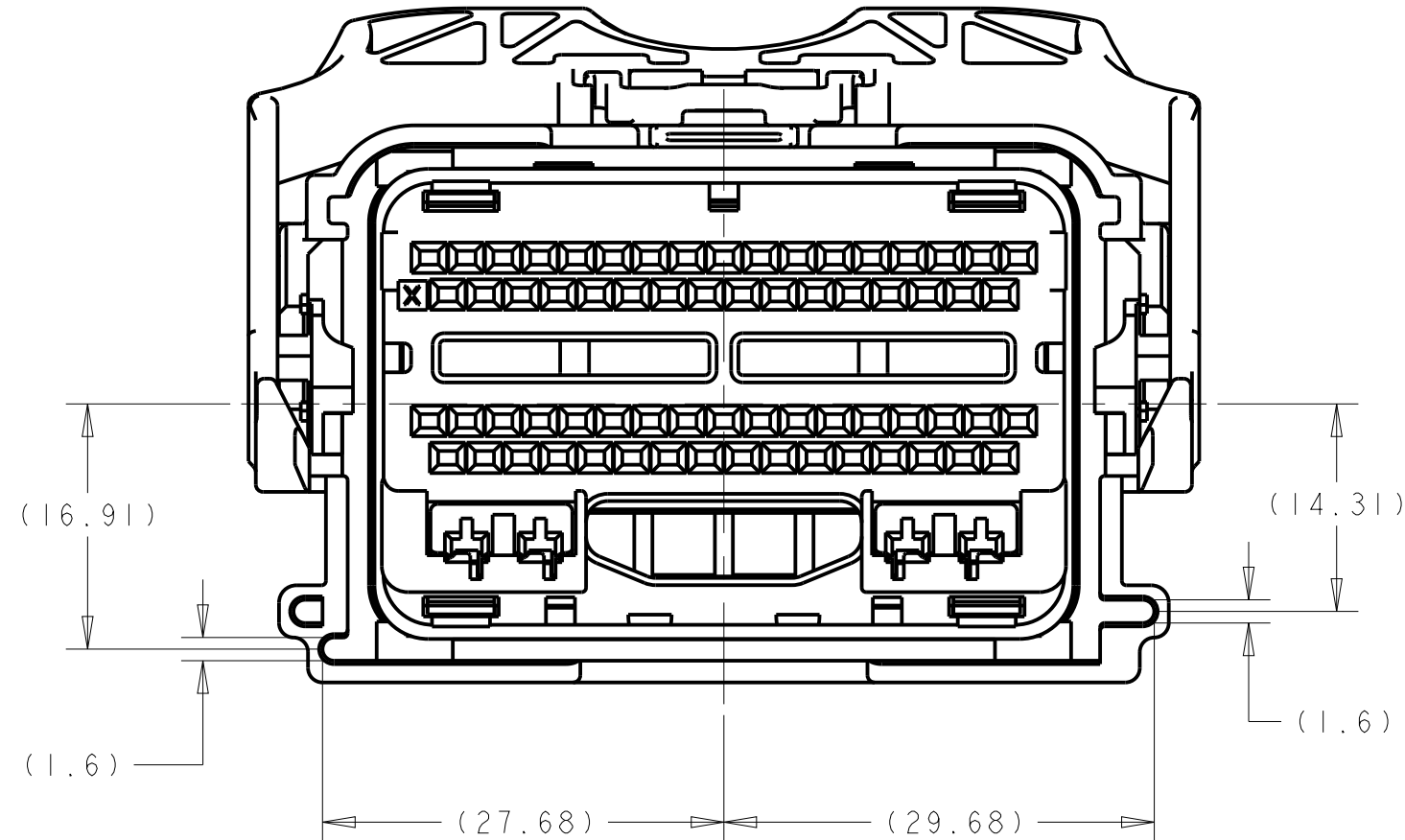
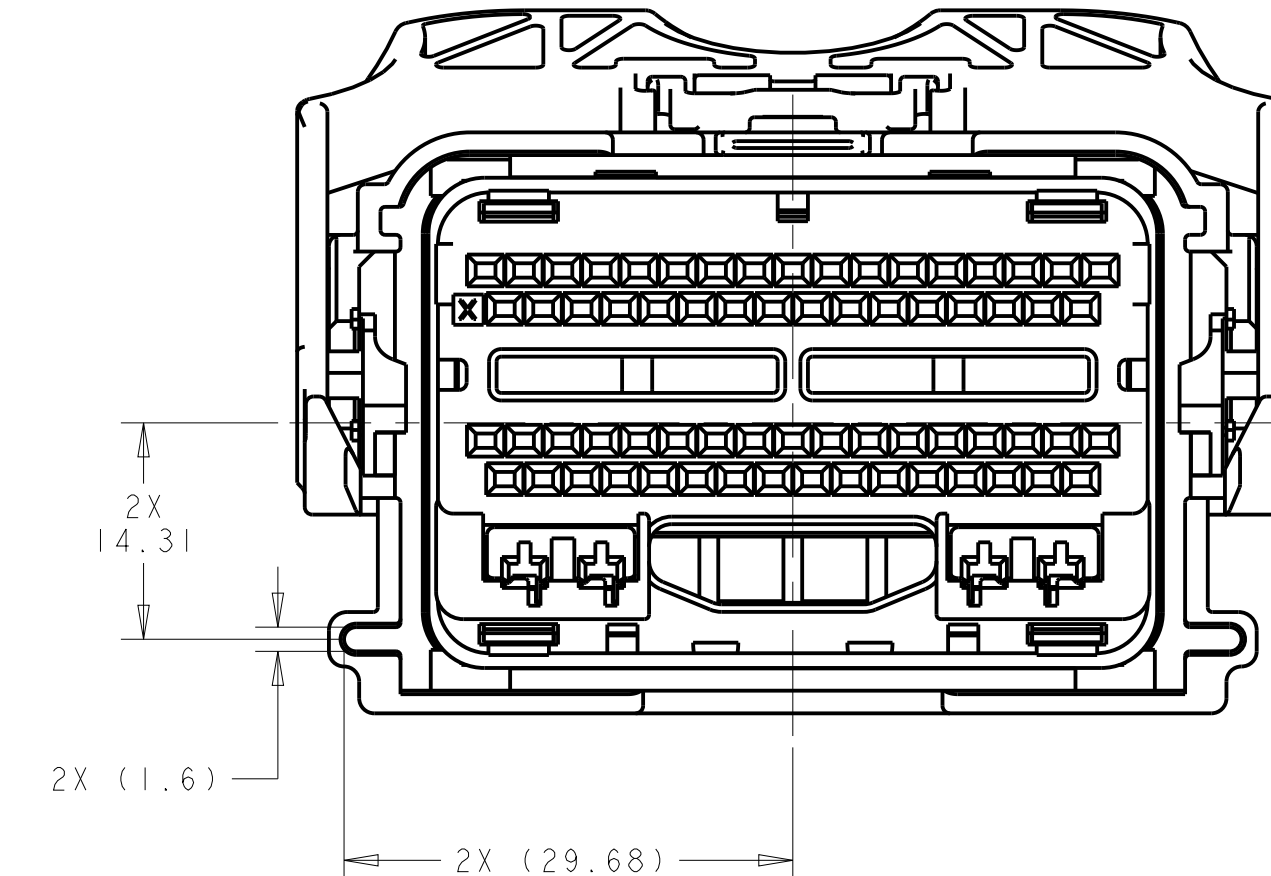
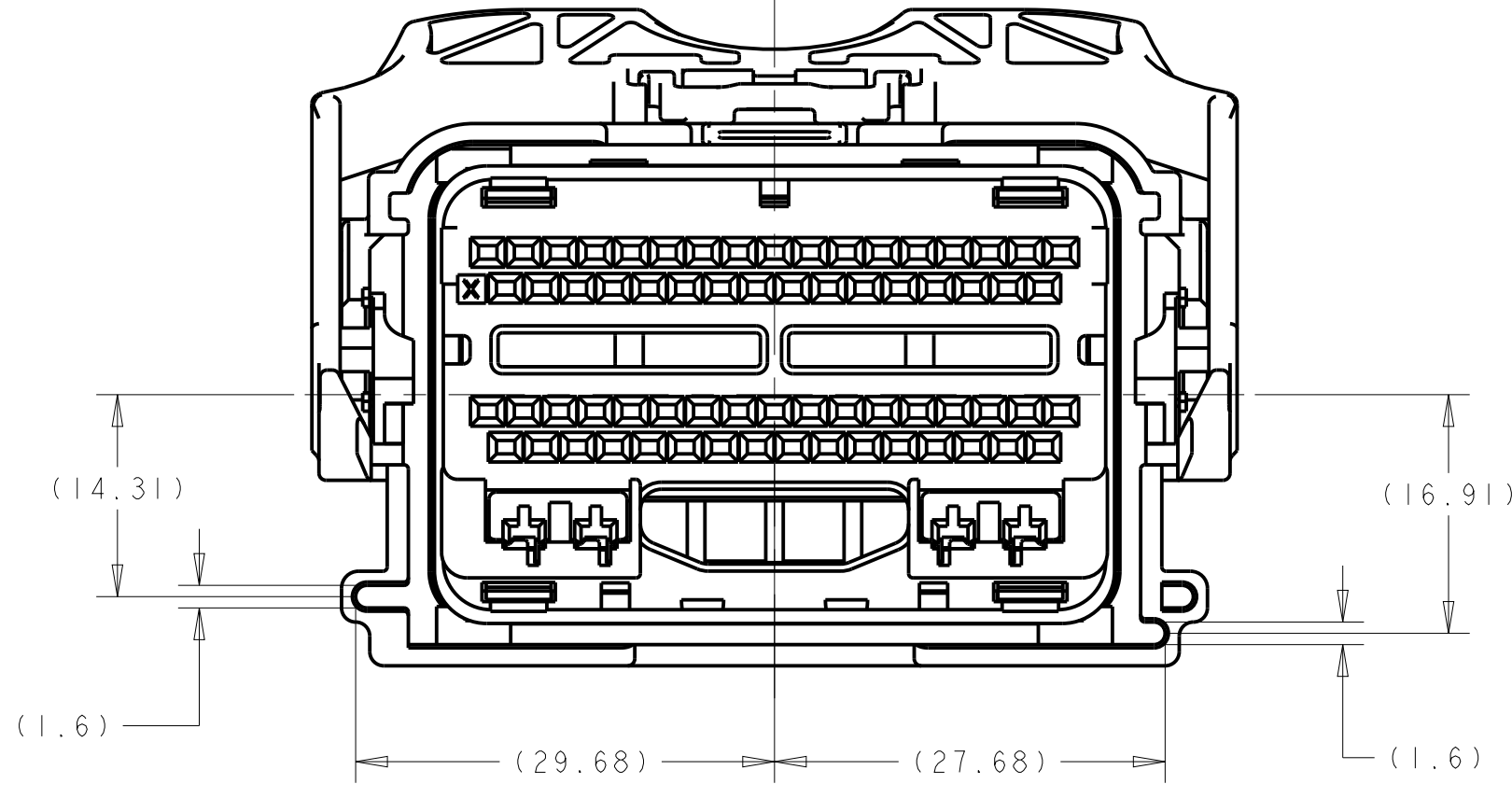
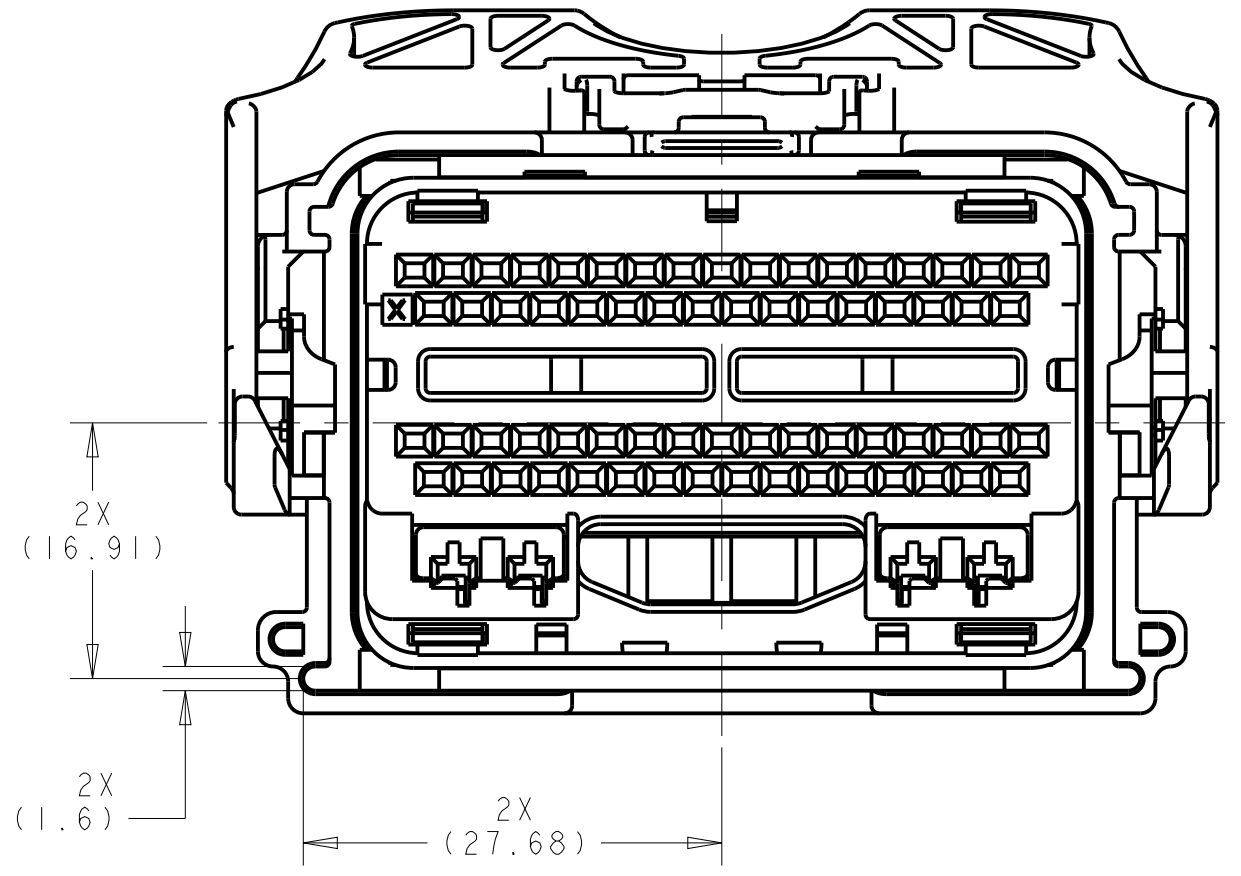
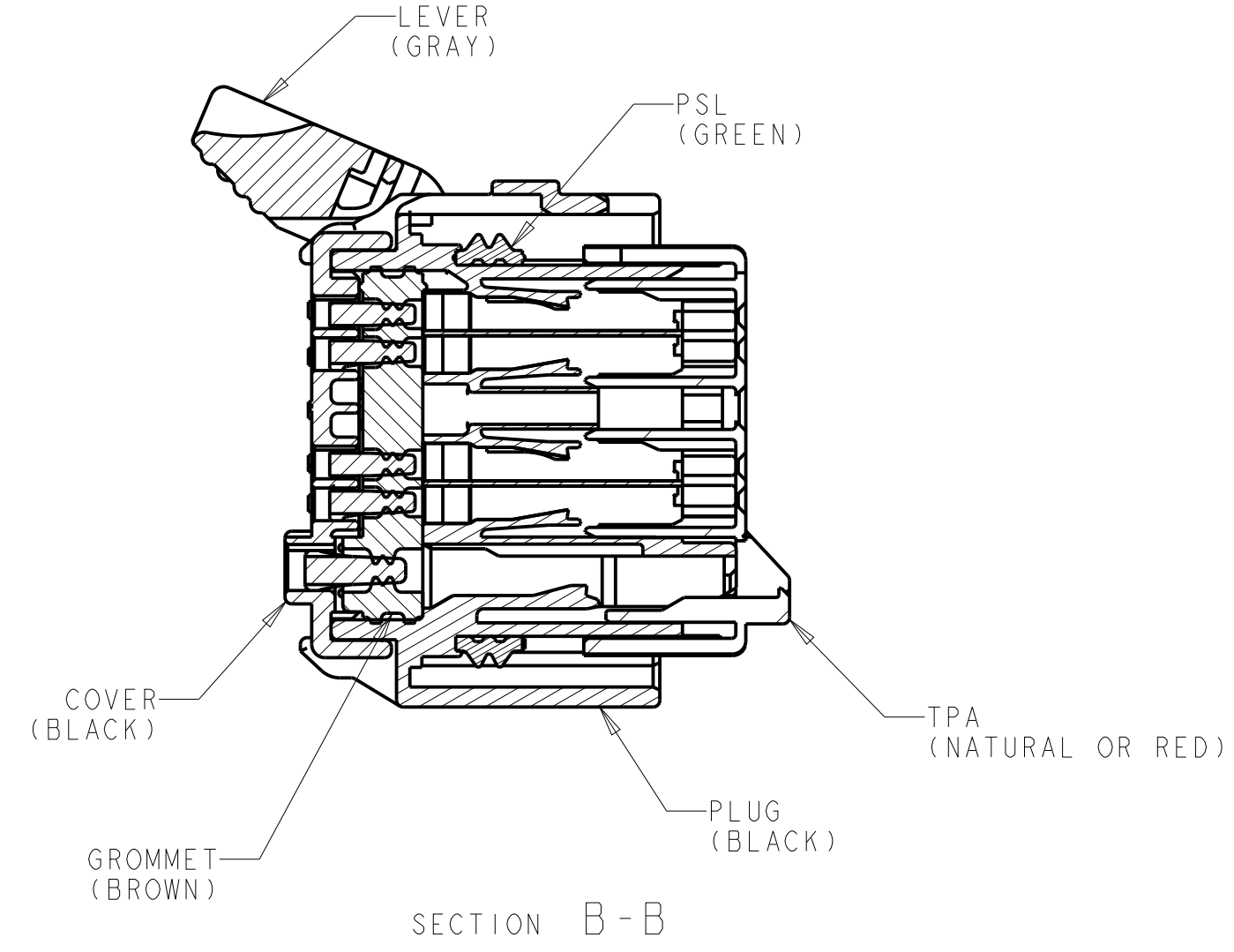
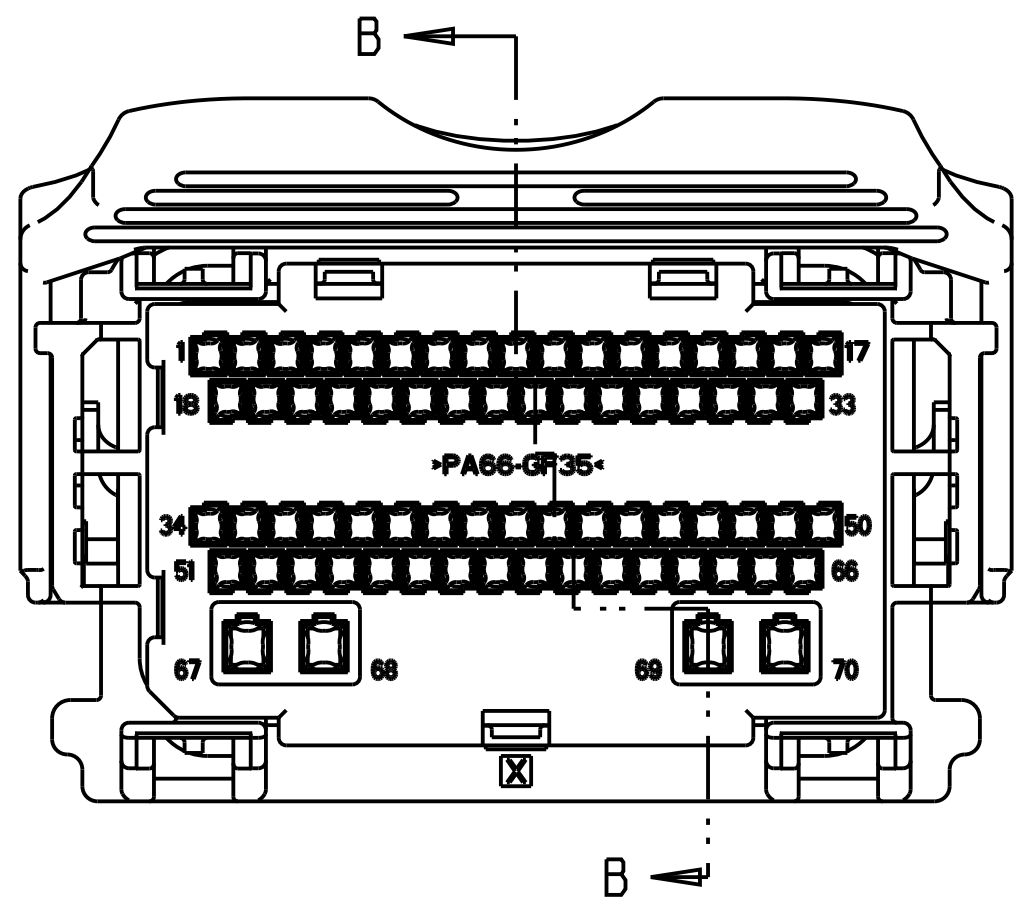
PRODUCT SPEC: 70-WAY HARNESS ASSEMBLY

APPLICATION SPEC: -

SIZE: A1 CAGE CODE: 100779 DRAWING NO: 1438136

REV: G47

REVISIONS				
P.	LTN	DESCRIPTION	DATE	APVD
-	-	SEE SHEET 1	-	-



THIS DRAWING IS A CONTROLLED DOCUMENT.		OWN: R. VESTAL 15APR2005	TE Connectivity
DIMENSIONS: mm		CHK: T. VALASEK 15APR2005	
TOLERANCES UNLESS OTHERWISE SPECIFIED:		APVD: T. VALASEK 15APR2005	NAME: 70-WAY HARNESS ASSEMBLY
0 PLC ±	1 PLC ±0.3	PRODUCT SPEC	SIZE: A1
2 PLC ±0.10	3 PLC ±	APPLICATION SPEC	CAGE CODE: 1438136
4 PLC ±	ANGLES ±	WEIGHT	SCALE: 2:1
MATERIAL	FINISH	CUSTOMER DRAWING	SHEET 2 OF 11
			REV: 647

REVISIONS					
P.	LTN	DESCRIPTION	DATE	OWN	APVD
-	-	SEE SHEET 1	-	-	-

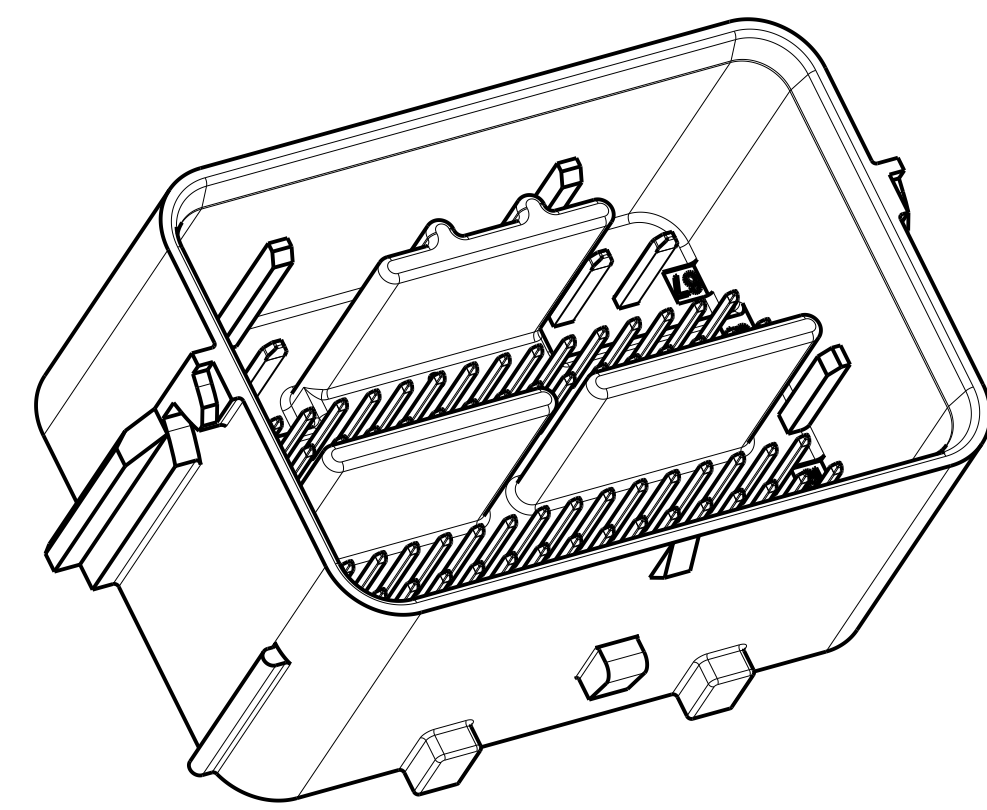
		57	55	51	49	43	36	35	33	30	27	25	24	23	22	18	17	15	11	10	9	8	6	3	2	1	3-2035383-0	8U5T-14A464-BA-056					
		56	55	54	52	51	49			39	36	35	34	33	31				12		9			4		1	2-2035383-9	8U5T-14A464-BA-055					
				55	54	51	49			41											9		6	4	3	2	1	2-2035383-7	8U5T-14A464-BA-054				
	64 63			55	54	51	49	48		41											9			4			2-2035383-5	8U5T-14A464-BA-053					
		57	56	55	54	51	49			39	36	35	33						12	10	9	8		5	4		1	2-2035383-4	8U5T-14A464-BA-052				
		57	56	55	54	51	49			39	36	35	33						12	11	10	9	8		6	5	4	3	1	1-2035383-9	8U5T-14A464-BA-051		
	64 63			55	54	51	49	48		41											9			4			1-2035383-8	8U5T-14A464-BA-050					
		57	55	54		49				43	41	39									11	10	9	8		6	5	4	3	2	1	1-2035383-3	8U5T-14A464-BA-049
		57	55	54		49				43	41	39									11	10	9	8		6	5	4	3	2	1	1-2035383-2	8U5T-14A464-BA-048
		57	55	54		49				41	40	39									11	10	9	8		6	5	3	2	1	2035383-9	8U5T-14A464-BA-047	
	64 63			55	54	51	49	48		41														4		2	2035383-7	8U5T-14A464-BA-046					
		57	56	55	54	51	49			39	36	35	33						12	11	10	9	8		6	5	4	3	1	2035383-1	8U5T-14A464-BA-045		
				55	54		49			39											11	10	9	8		6	5	3	2	1	9-1456659-8	8U5T-14A464-BA-044	
		56	55	54	52	51	49			39	36	35	34	33	31				12	11	10	9	8		6	5	4	3	1	9-1456659-6	8U5T-14A464-BA-043		
		57	55	54	53	51	49			37									12		9	7			3	2	1	9-1456659-3	8U5T-14A464-BA-042				
		57	55	54	53	52	51	49		37									12		9	7			3	1	9-1456659-1	8U5T-14A464-BA-041					
		57	55	54		49				43	39	36	35	33	30						11	10	9	8		6	4	3	2	1	8-1456659-9	8U5T-14A464-BA-040	
		57	55	54		49				43	39	36	35	33							11	10	9	8		6	4	3	2	1	8-1456659-8	8U5T-14A464-BA-039	
		57	55	54	53	51	49			37	35	34	33	32	30				12		9	8	7		3	2	1	8-1456659-7	8U5T-14A464-BA-038				
		57	55	54		49				43	39	36	35	33	30						11	10	9	8		6	4	3	2	1	8-1456659-4	8U5T-14A464-BA-037	
		57	55	54		49				39											11	10	9	8		6	5	3	2	1	8-1456659-3	8U5T-14A464-BA-036	
		57	55	54		49				39											11	10	9	8		6	5	3	2	1	8-1456659-2	8U5T-14A464-BA-035	
		57	55	54		49				41	40	39									11	10	9	8		6	5	3	2	1	8-1456659-1	8U5T-14A464-BA-034	
		56	55	54		49				39	36	35	34	33	31				12		9			4		1	8-1456659-0	8U5T-14A464-BA-033					
		56	55	54	52	51	49			39	36	35	34	33	31				12		9			4		1	7-1456659-9	8U5T-14A464-BA-032					
		56	55	54	52	51	49			39	36	35	34	33	31				12	11	10	9	8		6	4	3	1	7-1456659-8	8U5T-14A464-BA-031			
		57	56	55	54		49			39	36	35	33								11	10	9	8		6	5	4	3	1	7-1456659-7	8U5T-14A464-BA-030	
		57	55	54		49				43	39	36	35	33							11	10	9	8		6	5	4	3	2	1	7-1456659-6	8U5T-14A464-BA-029
		57	55	54		49				43	39	36	35	33	30						11	10	9	8		6	5	4	3	2	1	7-1456659-5	8U5T-14A464-BA-028
		57	55	54		49				43	39	36	35	33							11	10	9	8		6	5	4	3	2	1	7-1456659-4	8U5T-14A464-BA-027
		57	55	54	53	51	49			37									12		9	7			2	1	7-1456659-2	8U5T-14A464-BA-026					
		57	55	54	53	51	49			37	35	33	32	30					12		9	7		5		1	6-1456659-9	8U5T-14A464-BA-025					
		57	56	54		49				39	36	35	33	30					12	11	10	9	8		6	5	4	3	1	6-1456659-8	8U5T-14A464-BA-024		
		57	55		49					43	39	36	35	33	30						11	10	9	8		6	5	3	2	1	6-1456659-7	8U5T-14A464-BA-023	
		57	56	55	54		49			39	36	35	33						12	11	10	9	8		6	5	3	1	6-1456659-6	8U5T-14A464-BA-022			
		57	55	54		49				43	39	36	35	33							11	10	9	8		6	5	3	2	1	6-1456659-5	8U5T-14A464-BA-021	
		56	55	54		49				39	36	35	34	33	31				12		9			1	6-1456659-3	8U5T-14A464-BA-020							
		57	55	54	53	52	51	49		37									12		9	7			1	6-1456659-2	8U5T-14A464-BA-019						
		56	55	54	52	51	49			39	36	35	34	33	31				12		9			1	6-1456659-1	8U5T-14A464-BA-018							
		56	55	54		49				39	36	35	34	33	31				12		9			1	6-1456659-0	8U5T-14A464-BA-017							
		57	55	54		49				43	39	36	35	33	30						11	10	9	8		6	5	3	2	1	5-1456659-2	8U5T-14A464-BA-016	
		57	55	54		49				43	39	36	35	33							11	10	9	8		6	5	3	2	1	5-1456659-1	8U5T-14A464-BA-015	
		57	55	54	53	52	51	49		37									12		9	7	5		1	4-1456659-1	8U5T-14A464-BA-014						
		57	56	54	52	51	49			39	36	35	33	31	30				12	11	10	9	8		6	4	3	2	1	2-1456659-8	8U5T-14A464-BA-013		
		57	56	54		49				39	36	35	33	30					12	11	10	9	8		6	4	3	1	2-1456659-7	8U5T-14A464-BA-012			
		57	55	54	53	51	49			37									12		9	7	5		1	2-1456659-6	8U5T-14A464-BA-011						
		57	55	54		49				43	39	36	35	33	30						11	9	8		6	5	3	2	1	2-1456659-5	8U5T-14A464-BA-010		
		57	55	54	53	51	49			37	36	35	33	32	30				12		9	8	7		3	2	1-1456659-2	8U5T-14A464-BA-009					
		57	56	55	54		49			39	36	35	33								11	10	9	8		6	5	3	1456659-8	8U5T-14A464-BA-008			
		57	56	55	54		49			39	36	35	33	30							11	10	9	8		6	5	3	1456659-1	8U5T-14A464-BA-007			
		59	57	56	55	54		49		43	39	36	35	33							10	9	8		6	5	3	9-1438136-5	8U5T-14A464-BA-006				
		57	56	54		49				39	36	35	33	30					12	11	10	9	8	7	6	4	3	1	9-1438136-2	8U5T-14A464-BA-005			
		57	56	54	52	51	49			39	36	35	33	31	30				12	11	10	9	8	7	6	4	3	2	1	9-1438136-1	8U5T-14A464-BA-004		
		57	56	54		49				39	36	35	33	30							12	11	10	9	8	7	6	5	3	1	9-1438136-0	8U5T-14A464-BA-003	
		57	56	54	52	51	49			39	36	35	33	31	30						12	11	10	9	8	7	6	5	3	2	1	8-1438136-9	8U5T-14A464-BA-002
		57	56	54	53	51	49			39	37	36	35	34	33	30					12	11	10	9	8	7	6	4	3	1	8-1438136-4	8U5T-14A464-BA-001	
																															1438136-4	8U5T-14A464-BA-000	

KEYING OPTION D

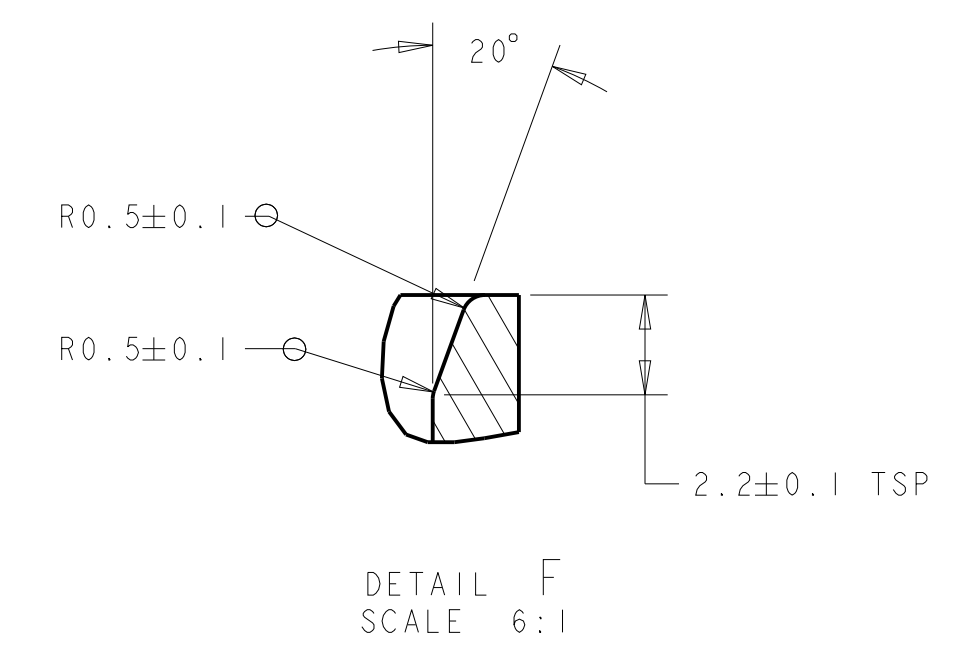
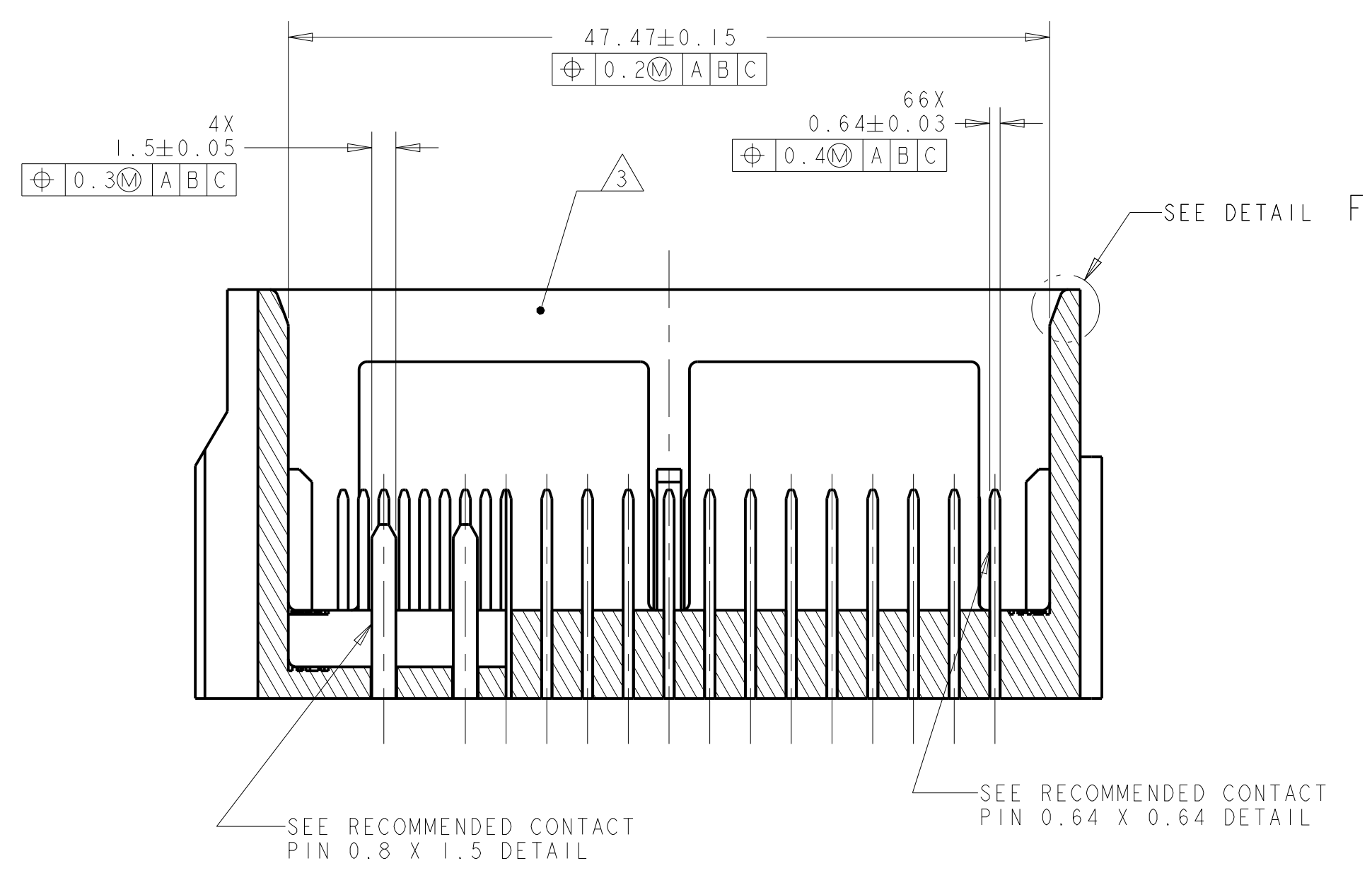
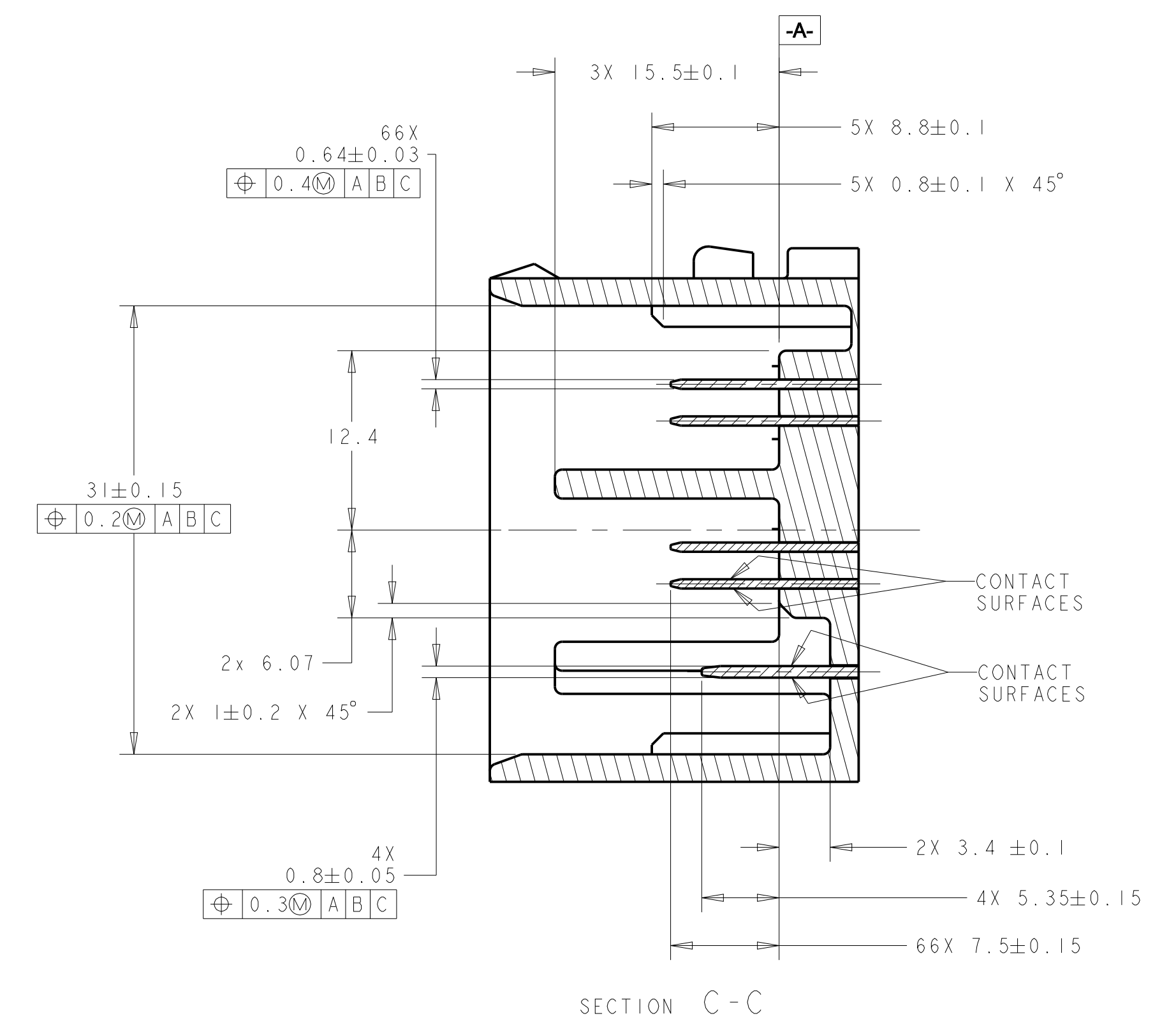
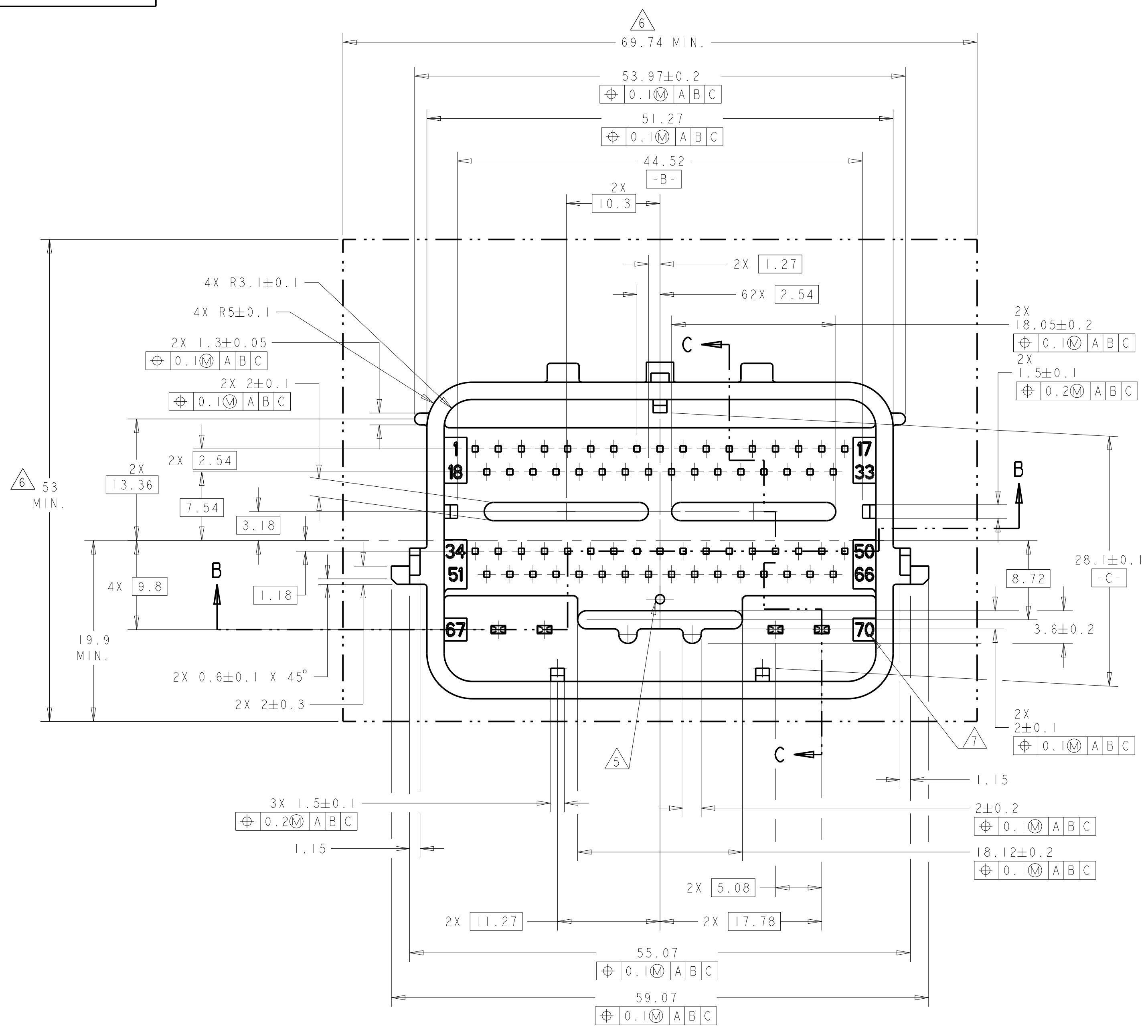
CAVITIES WITH A NUMERIC SYMBOL INDICATES CLOSED TERMINAL LOCATIONS
 BLANK CAVITIES INDICATES OPEN TERMINAL HOLE LOCATIONS

TERMINAL H

REVISIONS				
P.	LTH	DESCRIPTION	DATE	APPV
-	-	SEE SHEET 1	-	-



SCALE 2:1

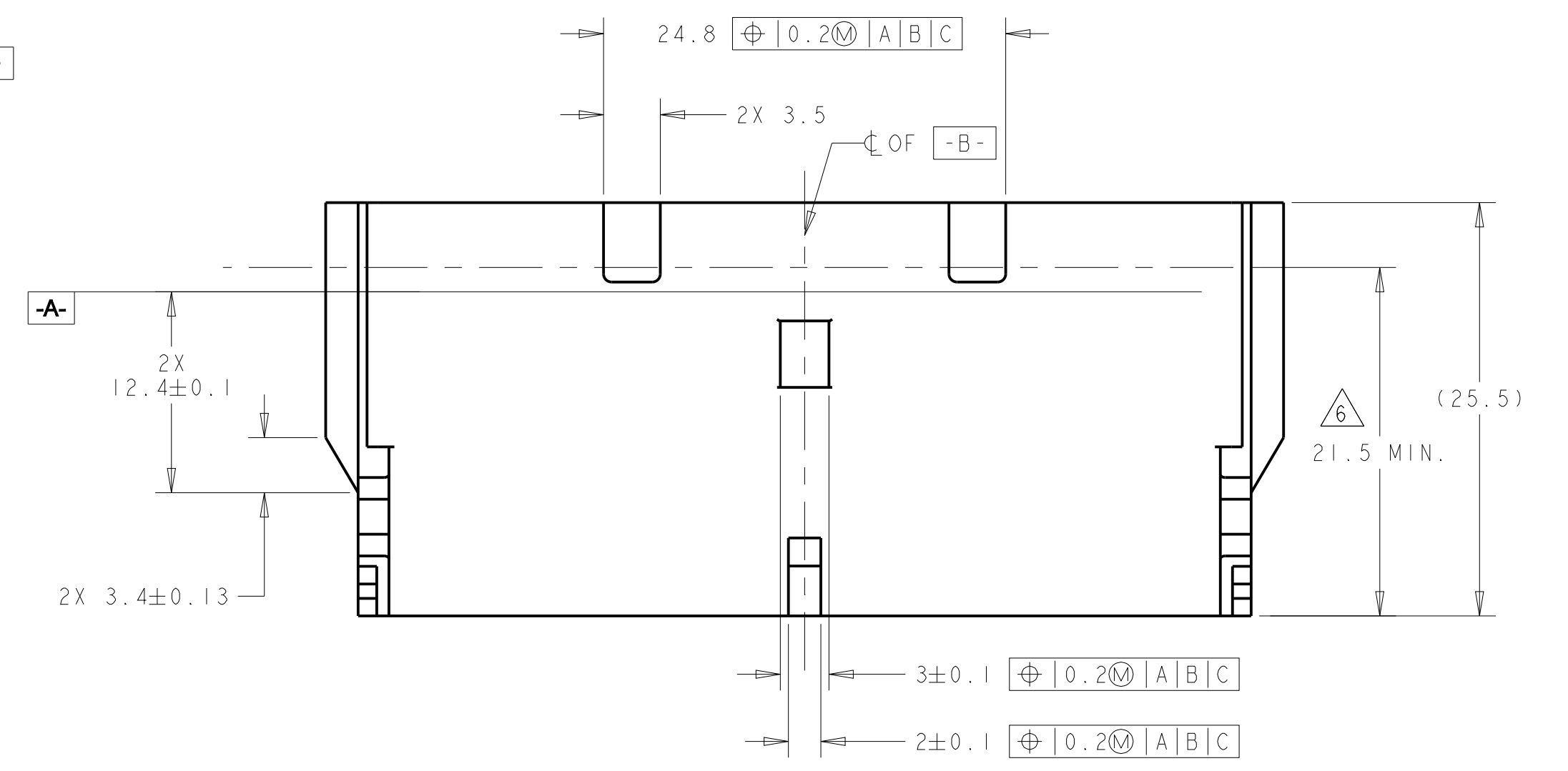
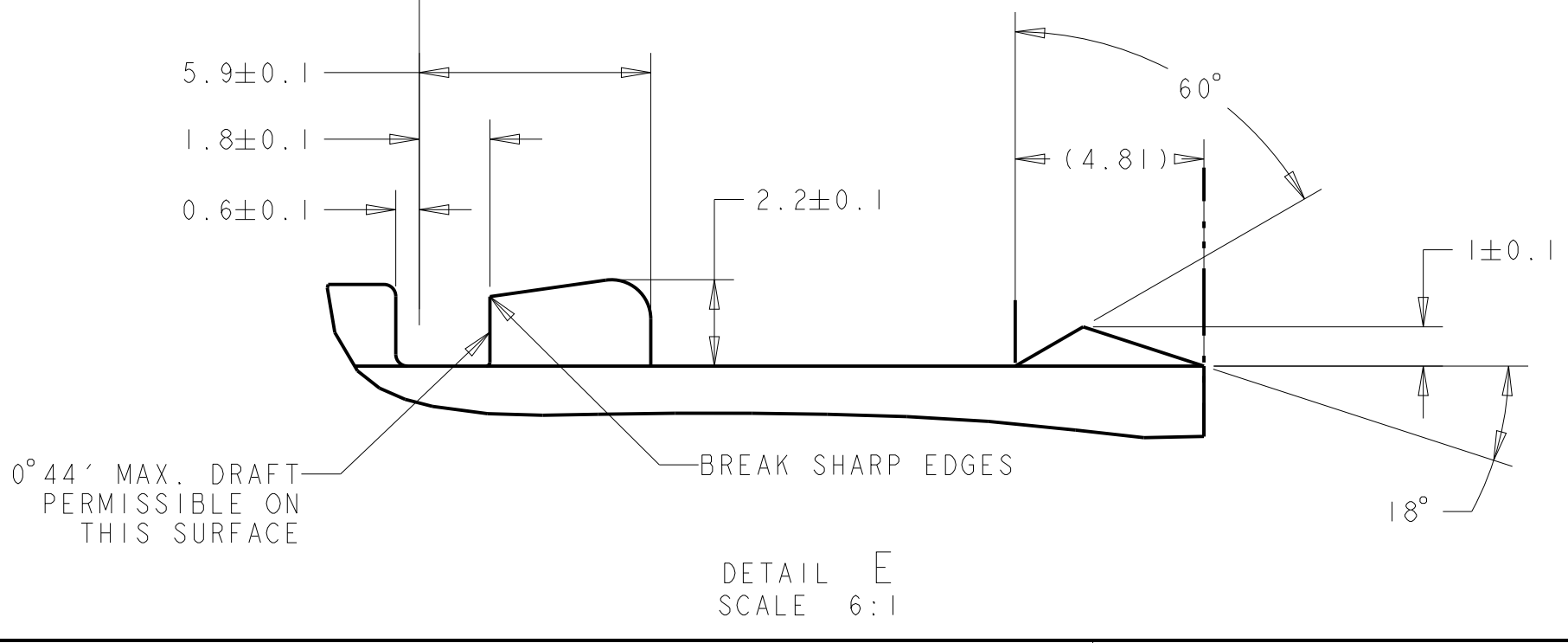
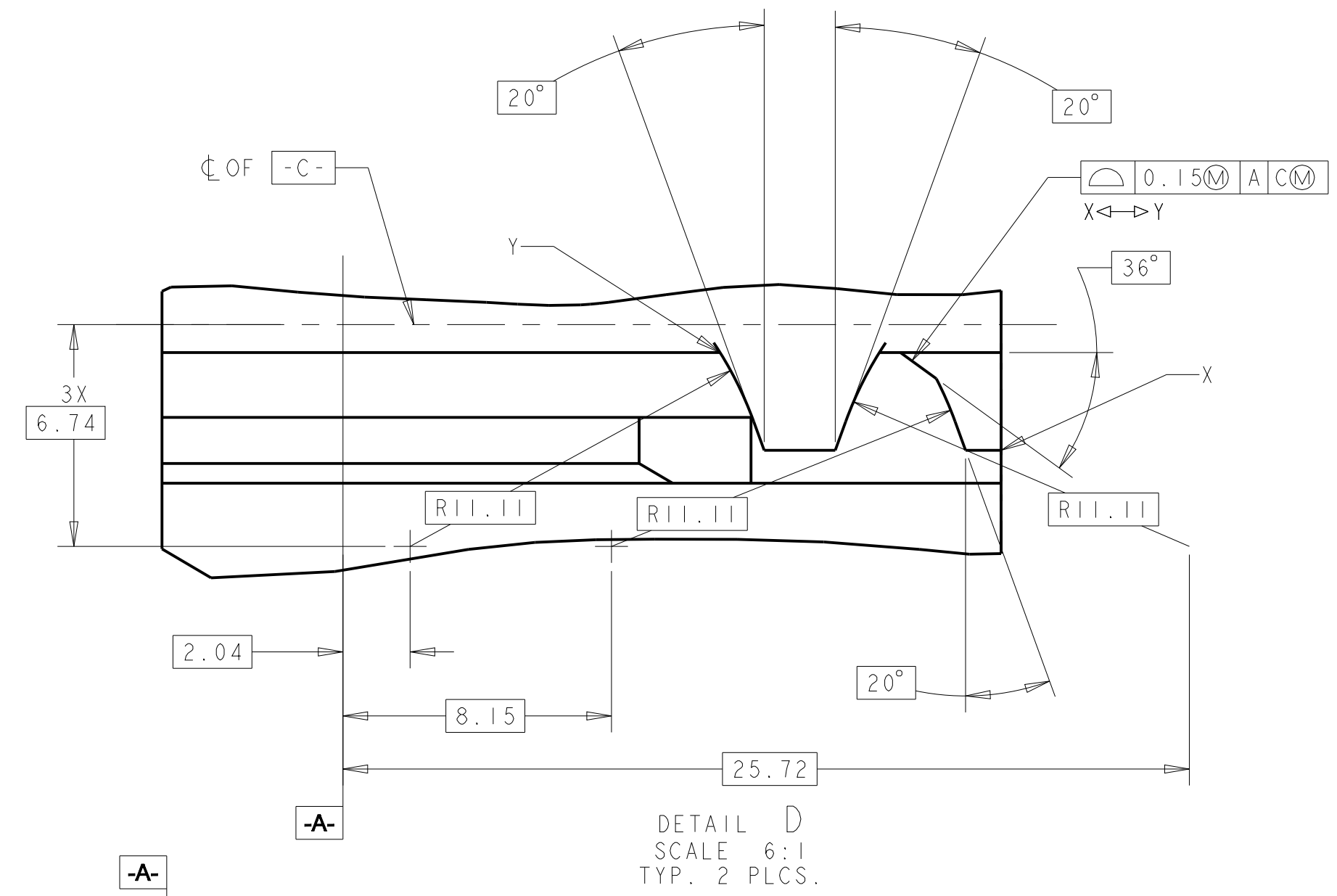
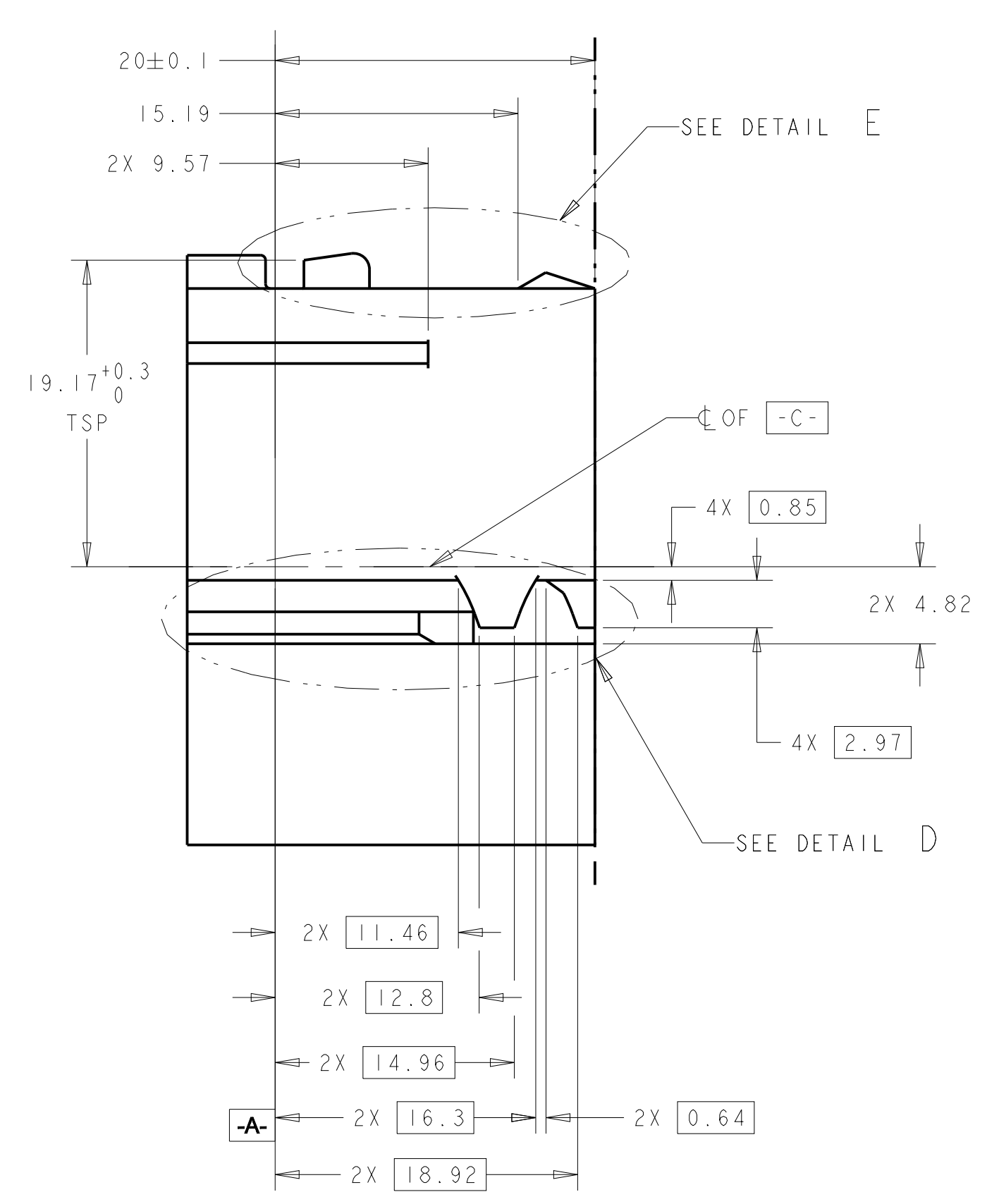
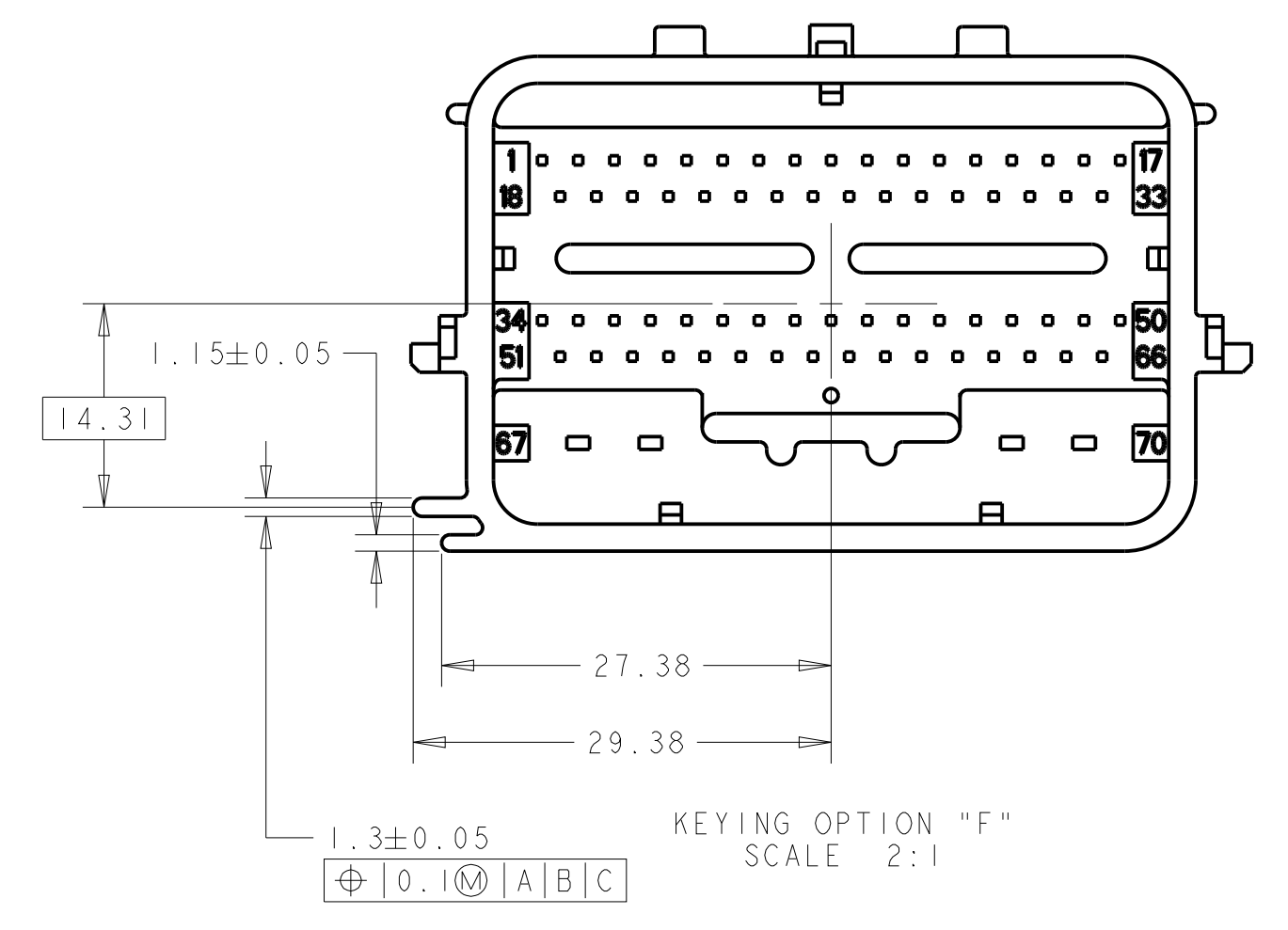
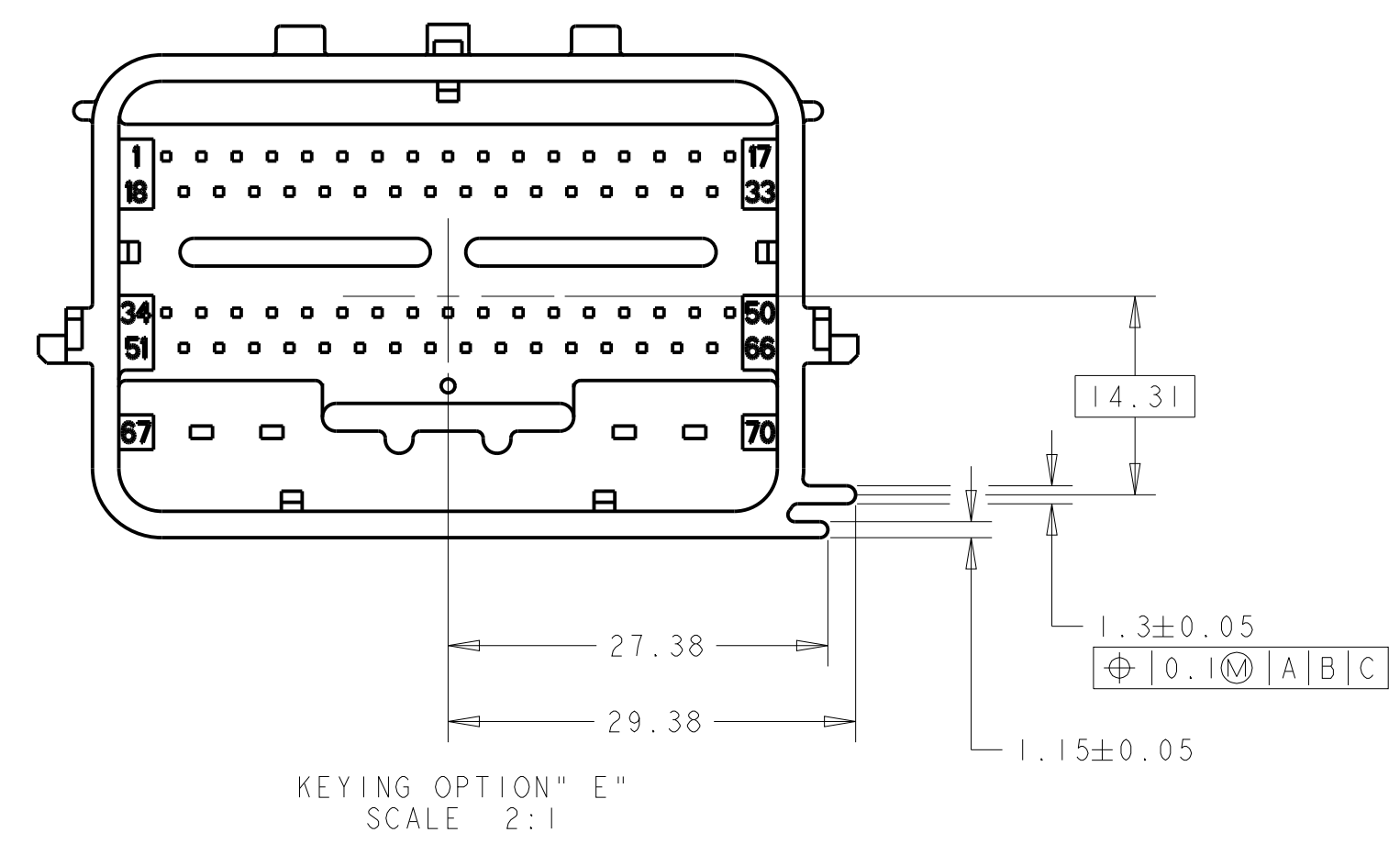
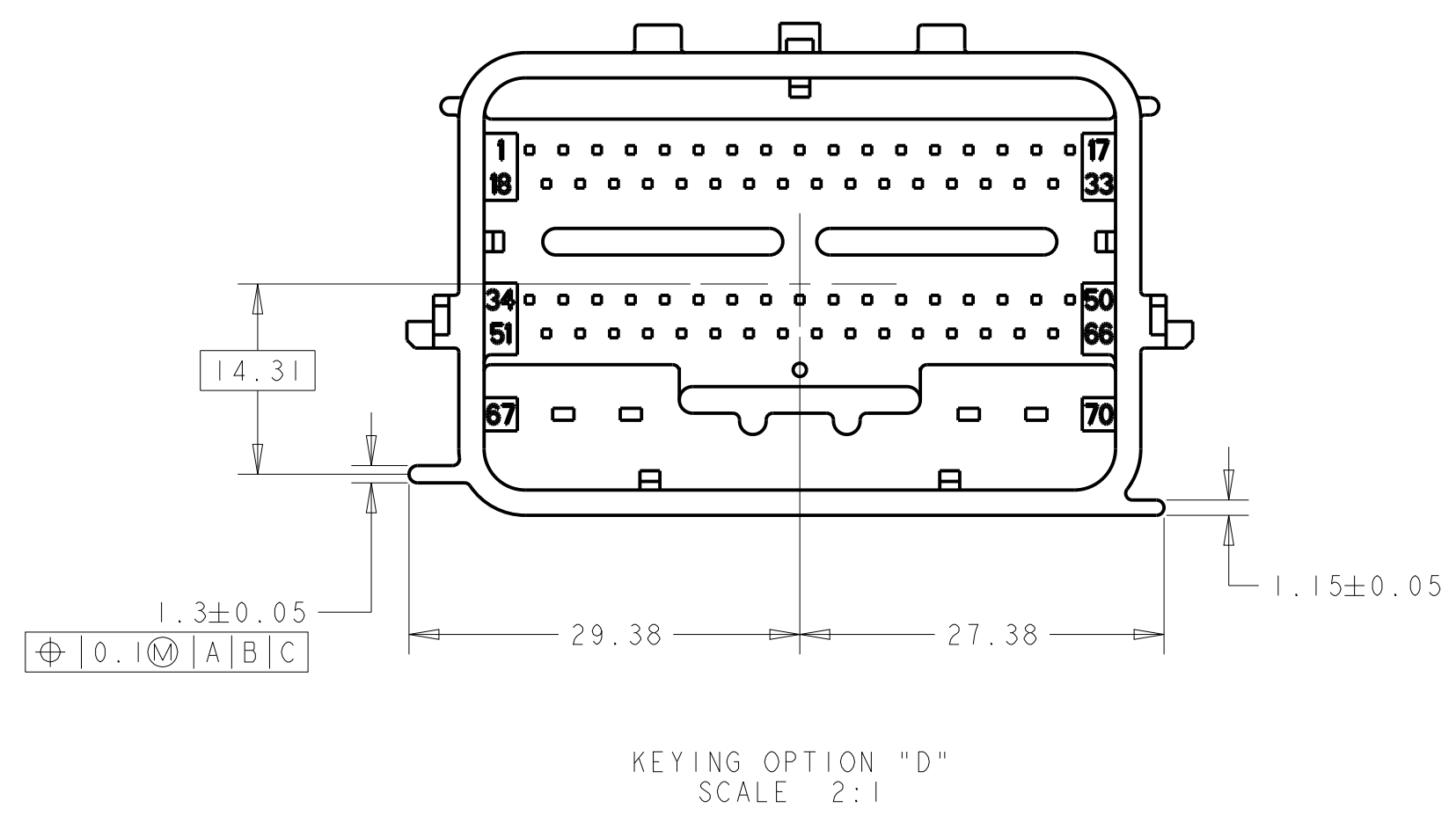
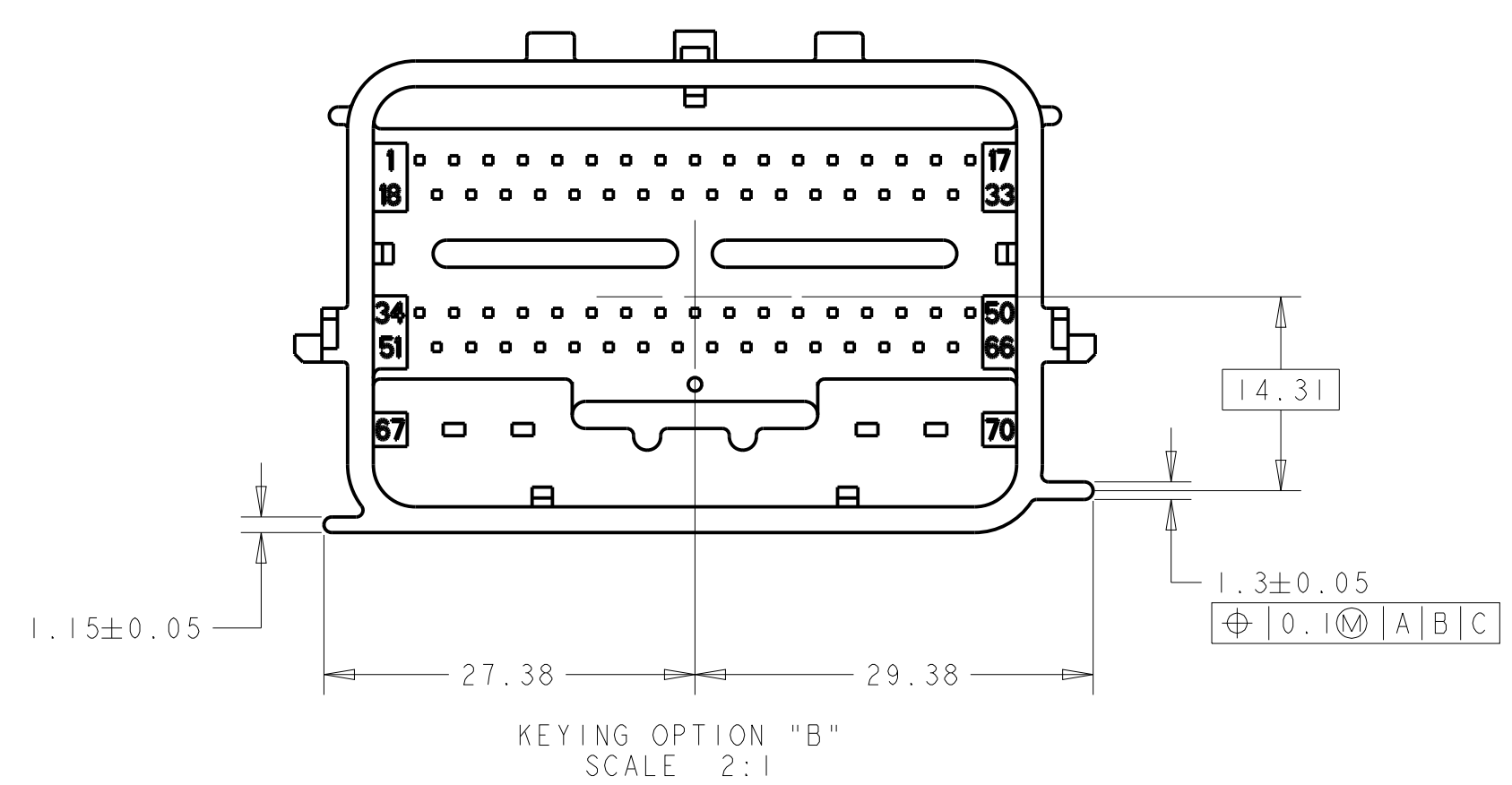
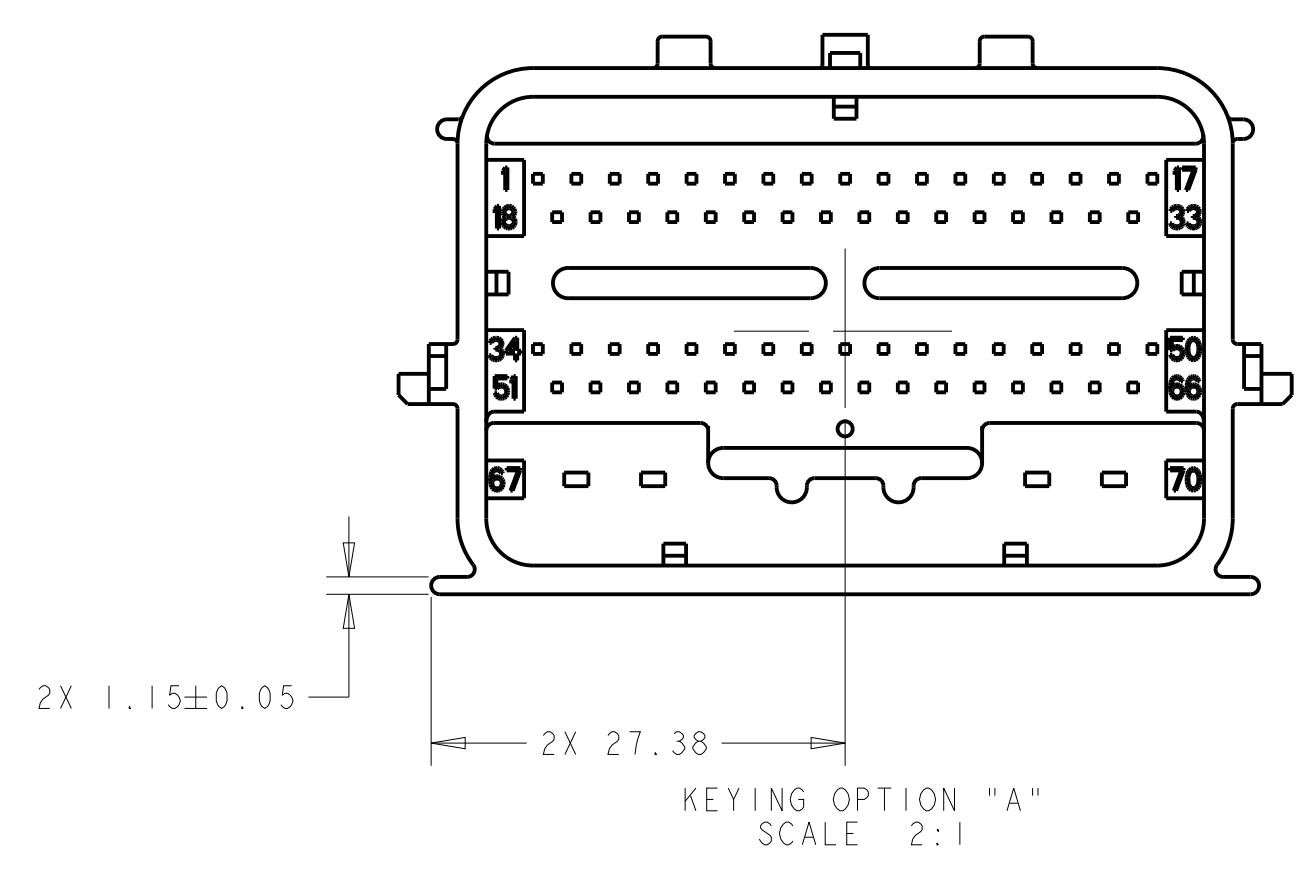


- NOTES: UNLESS OTHERWISE SPECIFIED
- GENERAL TOLERANCE:
 ±0.3 ALL ONE PLACE DIMENSIONS
 ±0.10 ALL TWO PLACE DIMENSIONS
 ±1°00' ALL ANGULAR DIMENSIONS
 - DRAFT ANGLE PERMISSIBLE ONLY WITHIN DRAWING TOLERANCE.
 - SEALING SURFACE, NO WITNESS LINES OF DAMAGE PERMITTED.
 - ALL UNMARKED RADII TO BE 0.5 MAX., UNLESS OTHERWISE SPECIFIED
 - VENT HOLE SIZE AND LOCATION IS OPTIONAL.
 - THIS AREA TO REMAIN CLEAR FOR THE HARNESS ASSEMBLY.
 - TERMINAL POSITION IDENTIFICATION.
 - MATES WITH TYCO ELECTRONICS PART# 1438136-*

THIS DRAWING IS A CONTROLLED DOCUMENT.		OWN: R. VESTAL 15APR2005	TE Connectivity NAME: 70-WAY HARNESS ASSEMBLY
DIMENSIONS: mm		CHK: T. VALASEK 15APR2005	
TOLERANCES UNLESS OTHERWISE SPECIFIED:		APPV: T. VALASEK 15APR2005	PRODUCT SPEC: -
0 PLC ±0.3 1 PLC ±0.3 2 PLC ±0.10 3 PLC ±0.10 4 PLC ±0.10 ANGLES ±1°		APPLICATION SPEC: -	SIZE: A100779
MATERIAL: -	FINISH: -	WEIGHT: -	CAGE CODE: 1438136
CUSTOMER DRAWING		SCALE: 2:1	SHEET 10 OF 11

HEADER INTERFACE KEYING OPTIONS

REVISIONS				
P.	LTN.	DESCRIPTION	DATE	APPV.
-	-	SEE SHEET 1	-	-



THIS DRAWING IS A CONTROLLED DOCUMENT.		OWN: R. VESTAL 15APR2005	TE Connectivity
DIMENSIONS: mm		CHK: T. VALASEK 15APR2005	
TOLERANCES UNLESS OTHERWISE SPECIFIED:		APVD: T. VALASEK 15APR2005	NAME: 70-WAY HARNESS ASSEMBLY
0 PLC ±0.3 1 PLC ±0.10 2 PLC ±0.10 3 PLC ±0.10 4 PLC ±0.10 ANGLES ±0.1°		PRODUCT SPEC: -	SIZE: CAGE CODE DRAWING NO: A100779C=1438136
MATERIAL: -		APPLICATION SPEC: -	RESTRICTED TO: -
FINISH: -		WEIGHT: -	SCALE: 2:1 SHEET 11 OF 11 REV: 647
CUSTOMER DRAWING			

Mouser Electronics

Authorized Distributor

Click to View Pricing, Inventory, Delivery & Lifecycle Information:

[TE Connectivity:](#)

[1438136-3](#)