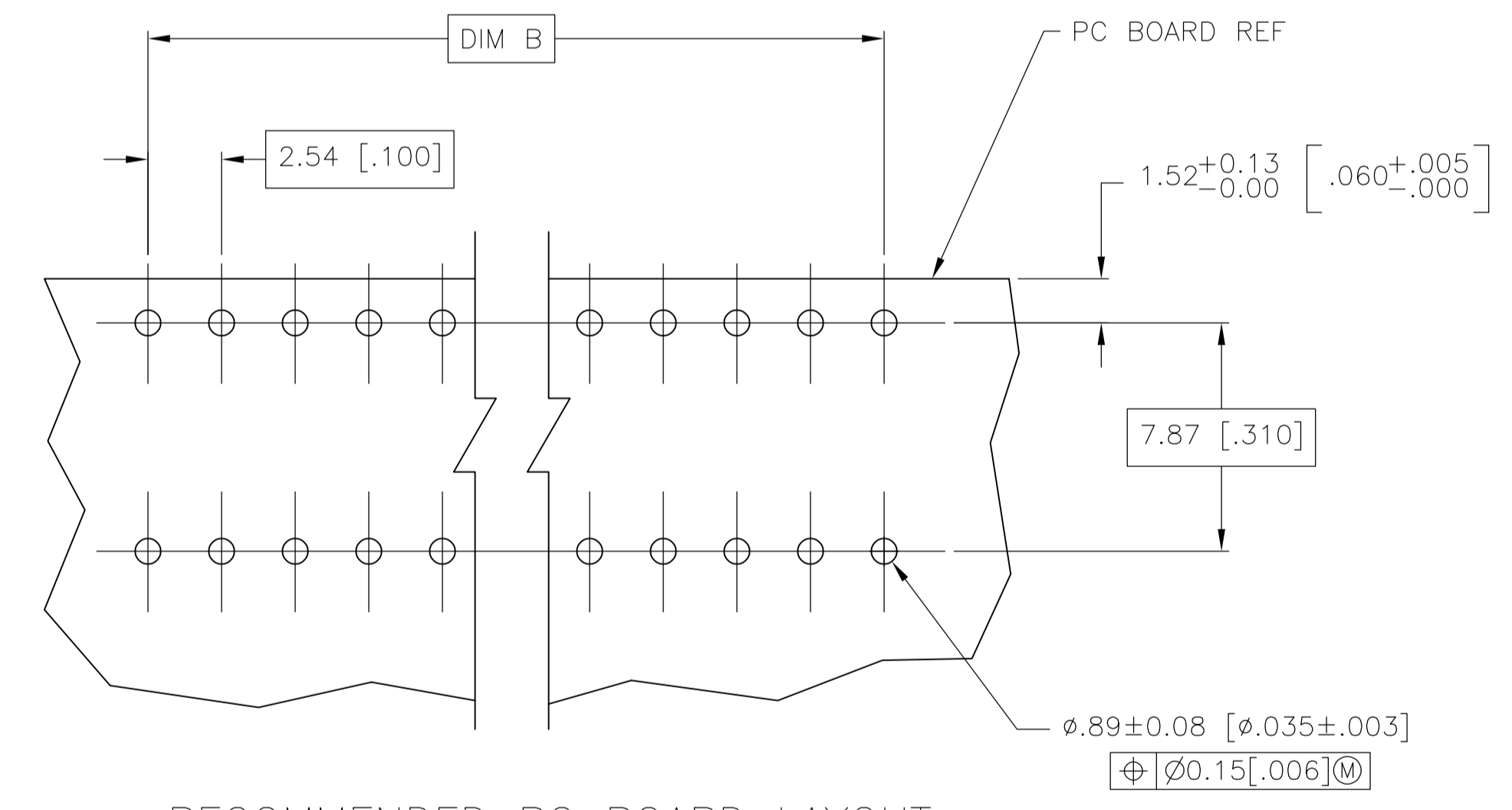
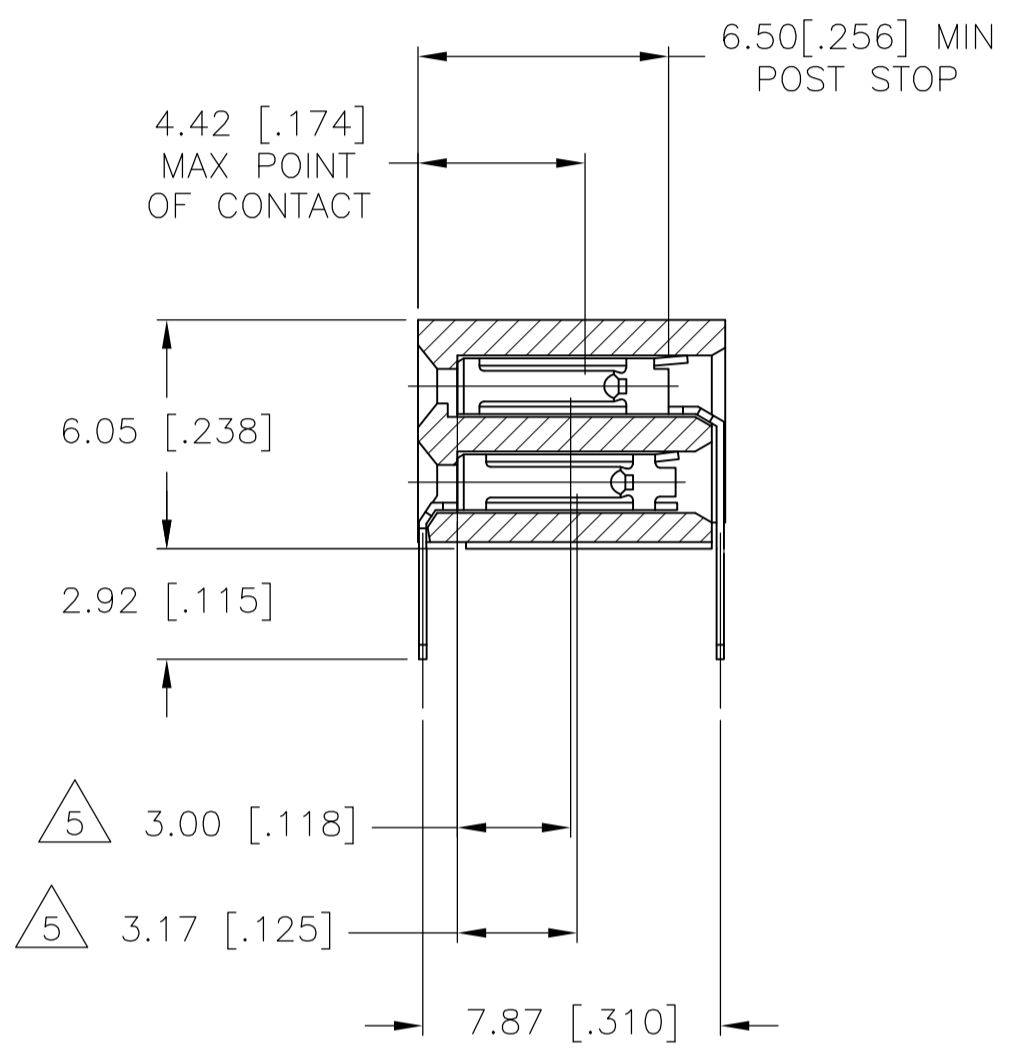
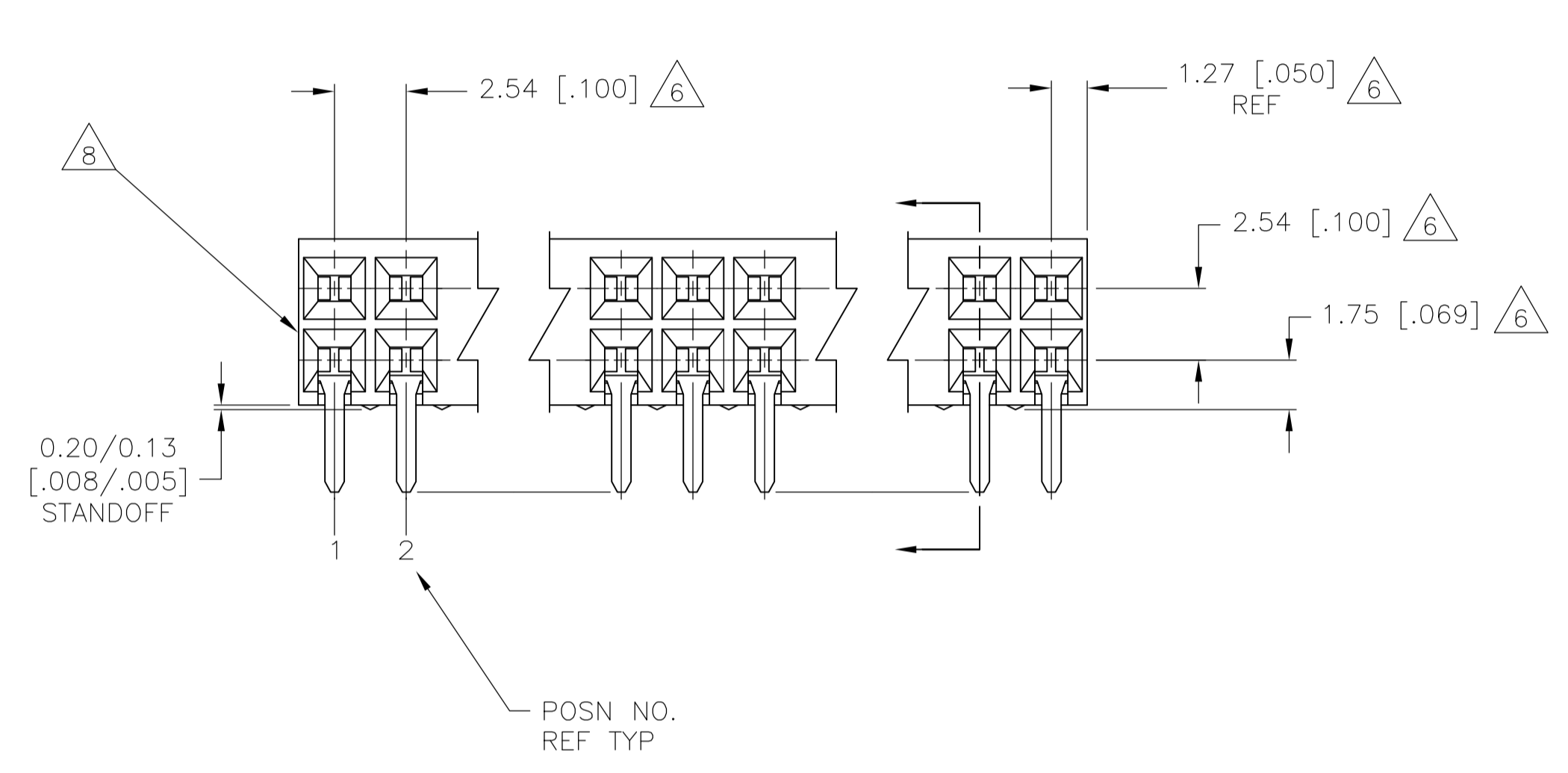
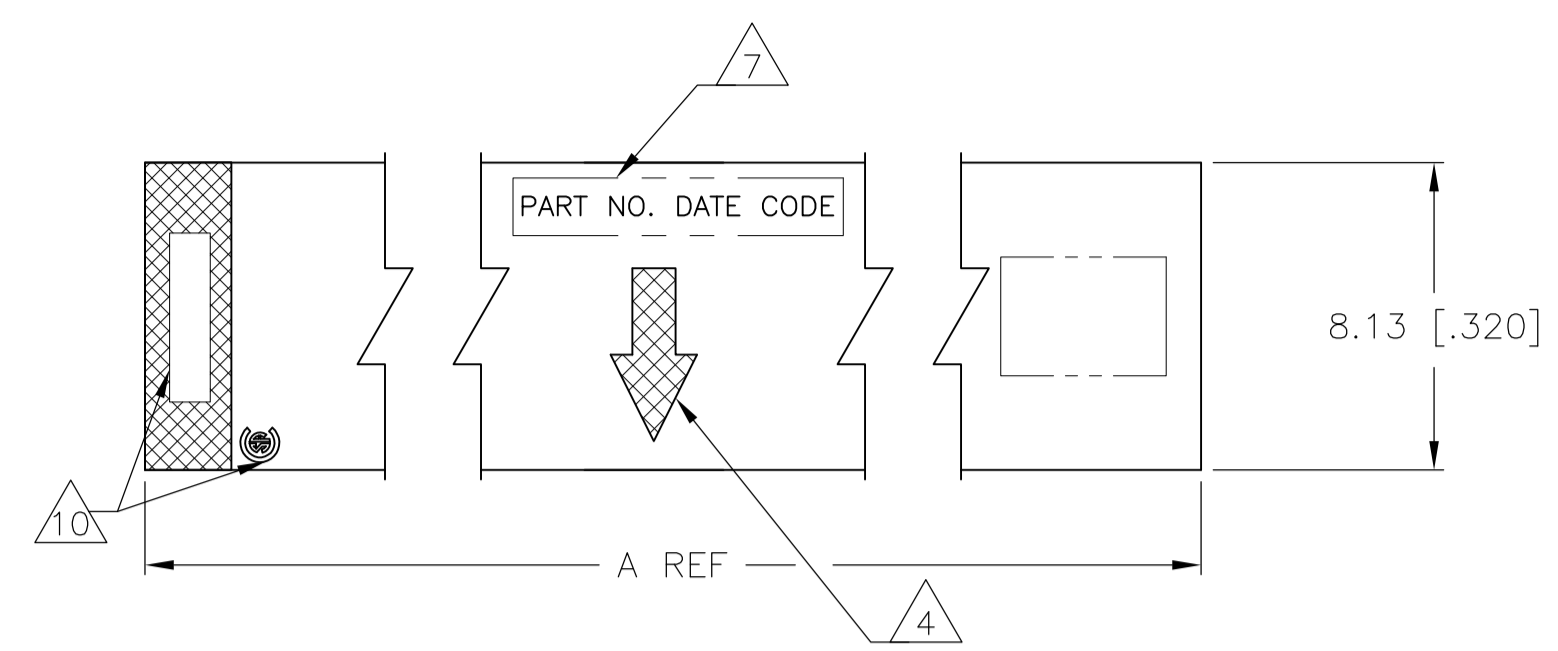


| LOC | | DIST | | REVISIONS | | | |
|-----|----|------|---------|-------------------|---------|-----|------|
| AD | 00 | P | LTR | DESCRIPTION | DATE | DMN | APVO |
| | | Y6 | REVISED | PER ECO-13-005565 | 02APR13 | KH | JO |



RECOMMENDED PC BOARD LAYOUT

- 1 HOUSING MATERIAL: GLASS FILLED POLYESTER, COLOR- BLACK
- 2 CONTACT MATERIAL: PHOSPHOR BRONZE
- 3 CONTACT FINISH: 0.00076[.000030] THK DUPLEX PLATED GOLD ON CONTACT AREA, 0.00127[.000050] MIN THK BRIGHT TIN-LEAD ON SOLDERLEADS, ALL OVER 0.00127[.000050] NICKEL
- 4 MOLDED IN ARROW DESIGNATES THE MATING FACE OF THE CONNECTOR
- 5 POINT OF MEASUREMENT FOR PLATING THICKNESS OF CONTACT AREA
- 6 DIMENSIONS PERTAIN TO HOUSING CAVITY CENTERLINES
- 7 PART NUMBER AND DATE CODE MARKED IN APPROXIMATE LOCATION SHOWN, EITHER END.
- 8 ALTERNATE LOCATION FOR DATE CODE FOR 4 AND 6 POSITION.
- 10 TE LOGO AND CSA LOGO ARE MOLDED INTO HOUSING, THIS LOCATION.

| | | | | |
|---------------------------|----------------|-----|-------------|----------------------|
| 10.16 [.400] | 12.70 [.500] | 10 | 6-535512-4 | |
| 7.62 [.300] | 10.16 [.400] | 8 | 6-535512-3 | |
| 5.08 [.200] | 7.62 [.300] | 6 | 6-535512-2 | |
| 2.54 [.100] | 5.08 [.200] | 4 | 6-535512-1 | |
| 162.56 [6.400] | 165.10 [6.500] | 130 | 6-535512-0 | |
| 160.02 [6.300] | 162.56 [6.400] | 128 | 5-535512-9 | |
| 157.48 [6.200] | 160.02 [6.300] | 126 | 5-535512-8 | |
| 152.40 [6.000] | 154.94 [6.100] | 122 | 5-535512-7 | |
| 149.86 [5.900] | 152.40 [6.000] | 120 | 5-535512-6 | |
| 147.32 [5.800] | 149.86 [5.900] | 118 | 5-535512-5 | |
| 144.78 [5.700] | 147.32 [5.800] | 116 | 5-535512-4 | |
| 142.24 [5.600] | 144.78 [5.700] | 114 | 5-535512-3 | |
| 139.70 [5.500] | 142.24 [5.600] | 112 | 5-535512-2 | |
| 137.16 [5.400] | 139.70 [5.500] | 110 | 5-535512-1 | |
| 134.62 [5.300] | 137.16 [5.400] | 108 | 5-535512-0 | |
| 132.08 [5.200] | 134.62 [5.300] | 106 | 4-535512-9 | |
| 129.54 [5.100] | 132.08 [5.200] | 104 | 4-535512-8 | |
| 127.00 [5.000] | 129.54 [5.100] | 102 | 4-535512-7 | |
| 124.46 [4.900] | 127.00 [5.000] | 100 | 4-535512-6 | |
| SUPERCEDED BY 4-5535512-5 | | | | |
| 121.92 [4.800] | 124.46 [4.900] | 98 | 4-535512-5 | |
| 119.38 [4.700] | 121.92 [4.800] | 96 | 4-535512-4 | |
| 116.84 [4.600] | 119.38 [4.700] | 94 | 4-535512-3 | |
| 114.30 [4.500] | 116.84 [4.600] | 92 | 4-535512-2 | |
| 111.76 [4.400] | 114.30 [4.500] | 90 | 4-535512-1 | |
| 109.22 [4.300] | 111.76 [4.400] | 88 | 4-535512-0 | |
| SUPERCEDED BY 3-5535512-9 | | | | |
| 106.68 [4.200] | 109.22 [4.300] | 86 | 3-535512-9 | |
| 104.14 [4.100] | 106.68 [4.200] | 84 | 3-535512-8 | |
| 101.16 [4.000] | 104.14 [4.100] | 82 | 3-535512-7 | |
| 91.44 [3.600] | 93.98 [3.700] | 74 | 3-535512-6 | |
| 88.90 [3.500] | 91.44 [3.600] | 72 | 3-535512-5 | |
| 83.82 [3.300] | 86.36 [3.400] | 68 | 3-535512-4 | |
| 81.28 [3.200] | 83.82 [3.300] | 66 | 3-535512-3 | |
| 78.74 [3.100] | 81.28 [3.200] | 64 | 3-535512-2 | |
| 76.20 [3.000] | 78.74 [3.100] | 62 | 3-535512-1 | |
| 73.66 [2.900] | 76.20 [3.000] | 60 | 3-535512-0 | |
| 71.12 [2.800] | 73.66 [2.900] | 58 | 2-535512-9 | |
| 63.50 [2.500] | 66.04 [2.600] | 52 | 2-535512-8 | |
| 55.88 [2.200] | 58.42 [2.300] | 46 | 2-535512-7 | |
| 50.8 [2.000] | 53.34 [2.100] | 42 | 2-535512-6 | |
| 48.26 [1.900] | 50.8 [2.000] | 40 | 2-535512-5 | |
| 45.72 [1.800] | 48.26 [1.900] | 38 | 2-535512-4 | |
| 38.10 [1.500] | 40.64 [1.600] | 32 | 2-535512-3 | |
| 35.56 [1.400] | 38.10 [1.500] | 30 | 2-535512-2 | |
| 33.02 [1.300] | 35.56 [1.400] | 28 | 2-535512-1 | |
| 30.48 [1.200] | 33.02 [1.300] | 26 | 2-535512-0 | |
| 25.40 [1.000] | 27.94 [1.100] | 22 | 1-535512-9 | |
| 17.78 [.700] | 20.32 [.800] | 16 | 1-535512-8 | |
| 15.24 [.600] | 17.78 [.700] | 14 | 1-535512-7 | |
| 20.32 [.800] | 22.86 [.900] | 18 | 1-535512-6 | |
| 58.42 [2.300] | 60.96 [2.400] | 48 | 1-535512-5 | |
| 154.94 [6.100] | 157.48 [6.200] | 124 | 1-535512-4 | |
| 99.06 [3.900] | 101.16 [4.000] | 80 | 1-535512-3 | |
| 96.52 [3.800] | 99.06 [3.900] | 78 | 1-535512-2 | |
| 93.98 [3.700] | 96.52 [3.800] | 76 | 1-535512-1 | |
| 86.36 [3.400] | 88.90 [3.500] | 70 | 1-535512-0 | |
| 68.58 [2.700] | 71.12 [2.800] | 56 | 535512-9 | |
| 66.04 [2.600] | 68.58 [2.700] | 54 | 535512-8 | |
| 60.96 [2.400] | 63.50 [2.500] | 50 | 535512-7 | |
| 53.34 [2.100] | 55.88 [2.200] | 44 | 535512-6 | |
| 43.18 [1.700] | 45.72 [1.800] | 36 | 535512-5 | |
| 40.64 [1.600] | 43.18 [1.700] | 34 | 535512-4 | |
| 27.94 [1.100] | 30.48 [1.200] | 24 | 535512-3 | |
| 22.86 [.900] | 25.40 [1.000] | 20 | 535512-2 | |
| 12.70 [.500] | 15.24 [.600] | 12 | 535512-1 | |
| B | | A | NO. OF POSN | ASSEMBLY PART NUMBER |

THIS DRAWING IS A CONTROLLED DOCUMENT.

DRN R BROWN 17MAY02
CHK J OLSON 17MAY02
APVO J OLSON 17MAY02

TE Connectivity

AMPMODU MOD II RECEPTACLE ASSEMBLY, HORIZONTAL, .100 CL, 2 ROW, CLOSED-ENTRY, SHORT POINT OF CONTACT, END-TO-END STACKABLE

SIZE A1 CASE CODE DRAWING NO. 00779 C=535512

WEIGHT --

CUSTOMER DRAWING SCALE 5:1 SHEET 1 OF 1 REV Y6

Mouser Electronics

Authorized Distributor

Click to View Pricing, Inventory, Delivery & Lifecycle Information:

[TE Connectivity:](#)

[535512-1](#)