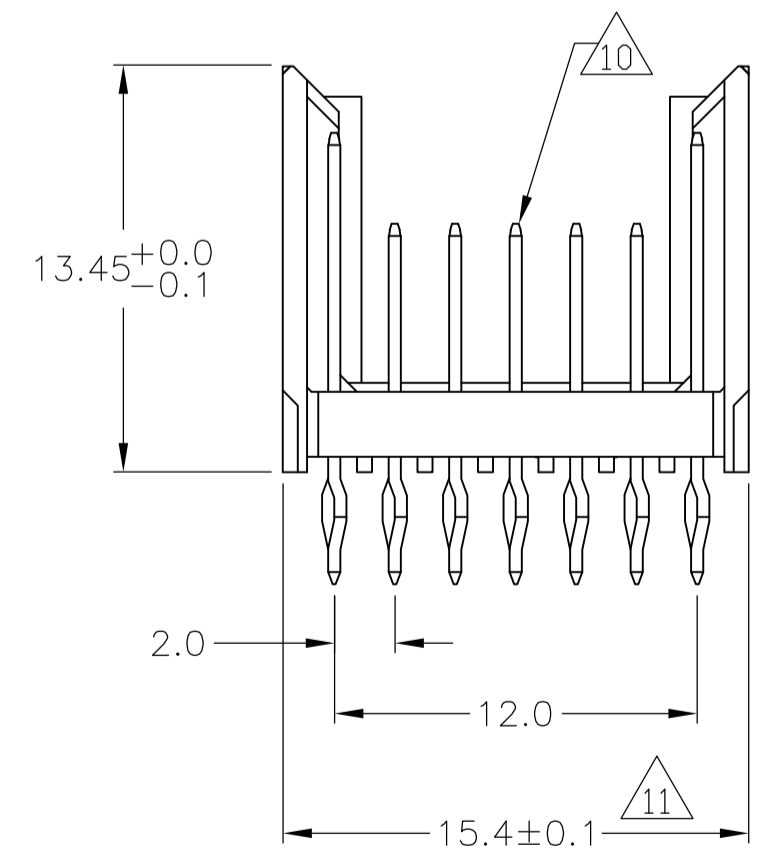
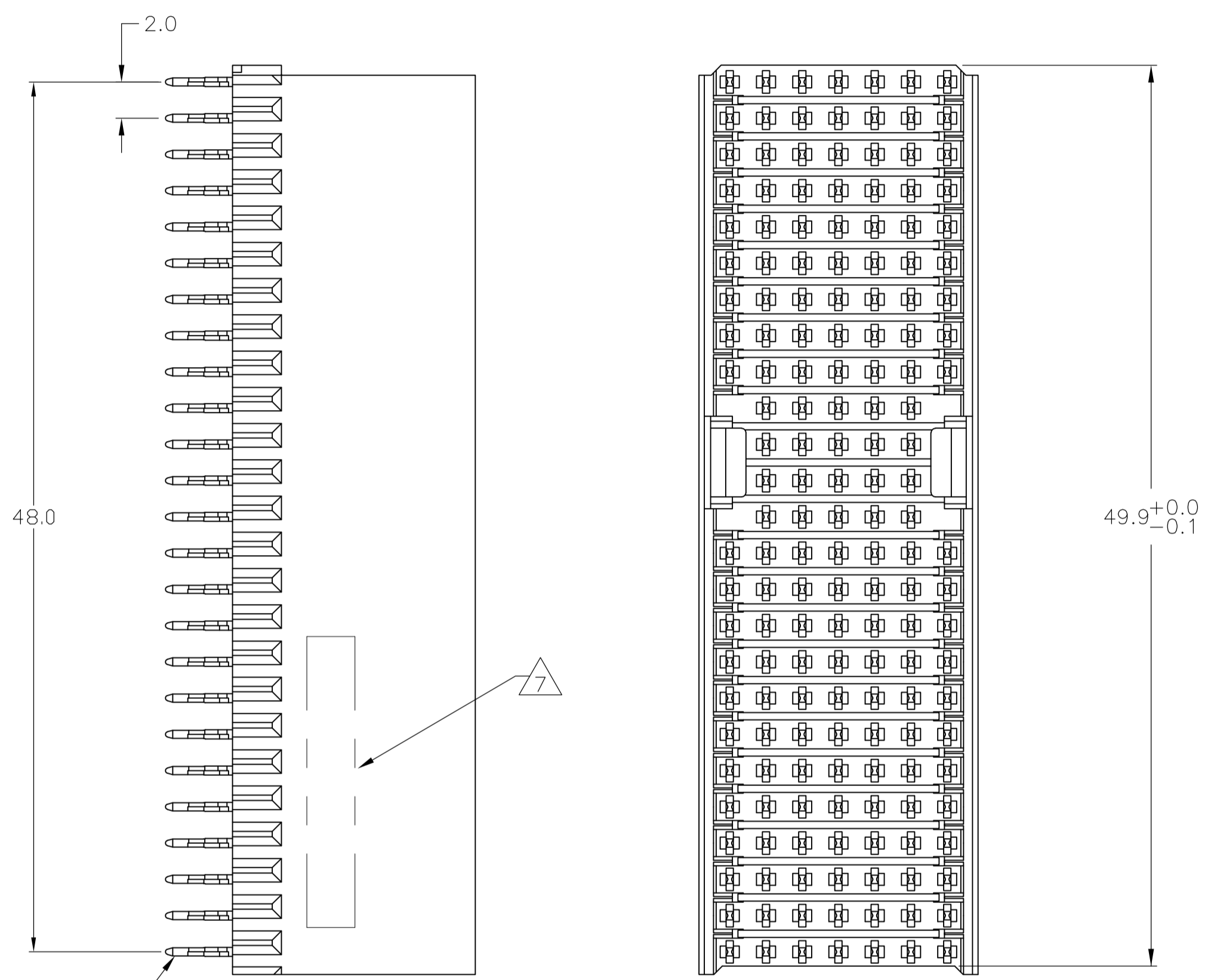
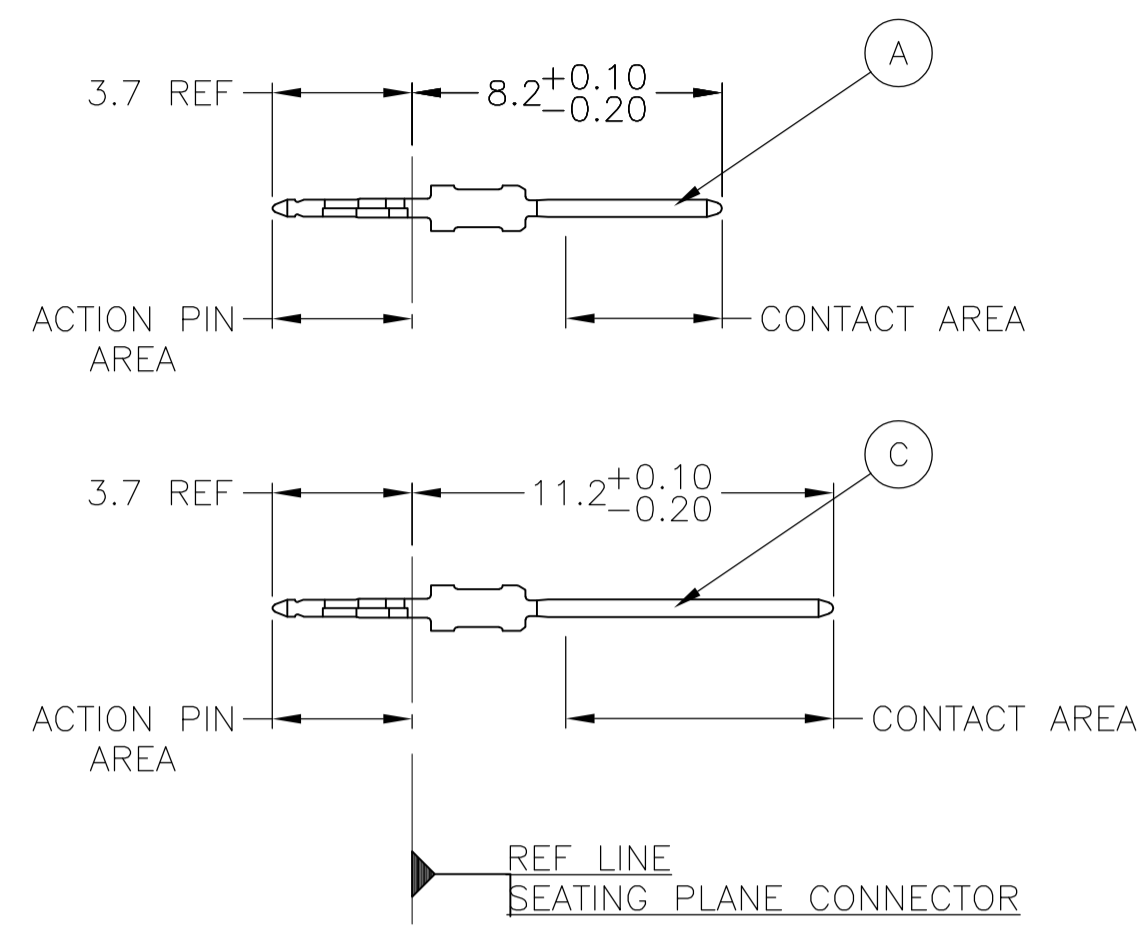


LOC	DIST	REVISIONS			
P	LTR	DESCRIPTION	DATE	OWN	APVD
A1	ECR-11-002167		31JAN11	JvgHTdB	

CONNECTOR ASSEMBLY EXAMPLARY LOADED



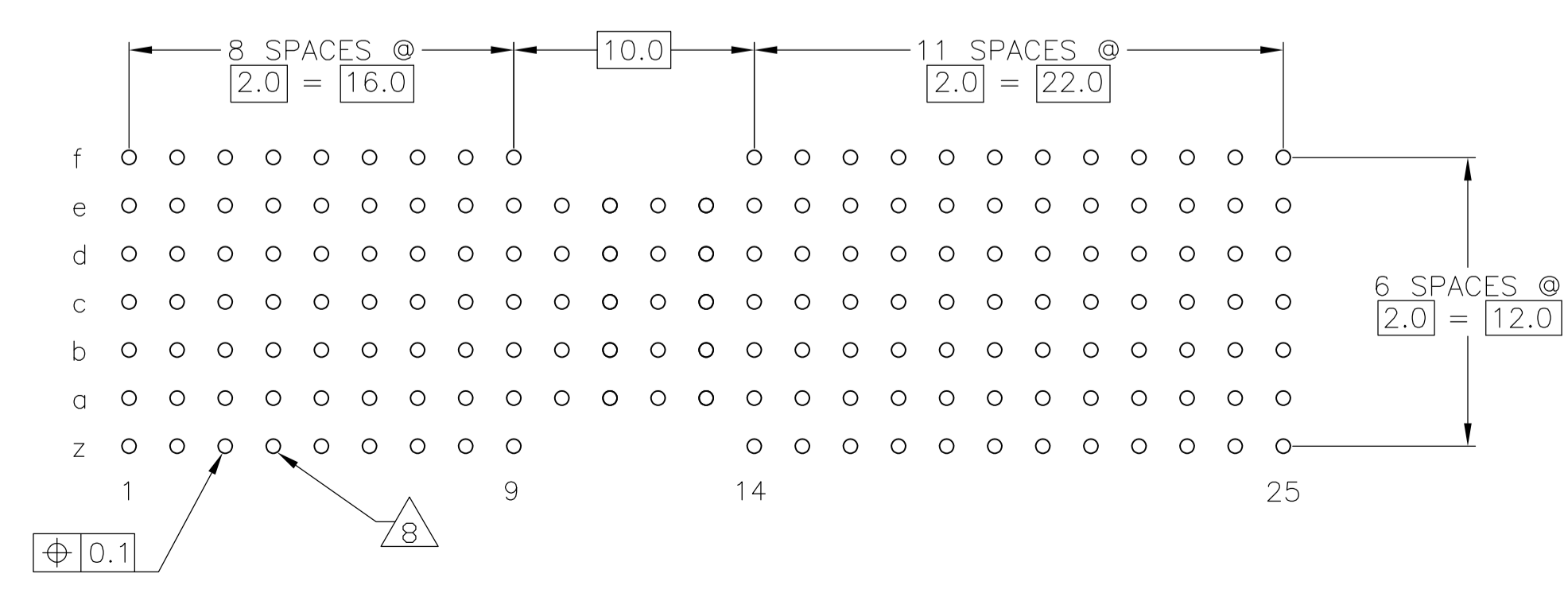
CONTACT DIMENSIONS SCALE 5:1



CONTACT LAYOUT

	z	a	b	c	d	e	f
1	C	A	A	A	A	A	C
2	C	A	A	A	A	A	C
3	C	A	A	A	A	A	C
4	C	A	A	A	A	A	C
5	C	A	A	A	A	A	C
6	C	A	A	A	A	A	C
7	C	A	A	A	A	A	C
8	C	A	A	A	A	A	C
9	C	A	A	A	A	A	C
10		A	A	A	A	A	
11		A	A	A	A	A	
12		A	A	A	A	A	
13		A	A	A	A	A	
14	C	A	A	A	A	A	C
15	C	A	A	A	A	A	C
16	C	A	A	A	A	A	C
17	C	A	A	A	A	A	C
18	C	A	A	A	A	A	C
19	C	A	A	A	A	A	C
20	C	A	A	A	A	A	C
21	C	A	A	A	A	A	C
22	C	A	A	A	A	A	C
23	C	A	A	A	A	A	C
24	C	A	A	A	A	A	C
25	C	A	A	A	A	A	C

RECOMMENDED PCB-HOLE LAYOUT COMPONENT SIDE SHOWN



PLATED THRU HOLES PARAMETERS REFERENCE APPLICATION SPECIFICATION

2 6 12	1-1551494-9
2 5 12	1551494-9
2 4	1551494-4
2 3	1551494-1
FINISH	PART NUMBER

THIS DRAWING IS A CONTROLLED DOCUMENT.

DIMENSIONS: mm	TOLERANCES UNLESS OTHERWISE SPECIFIED:	DIN B. MOOIJ 25NOV09	26NOV09	Tyco Electronics Corporation
0. PLC ± -	1. PLC ± 0.1	CIK R. VERBEET	27NOV09	's-Hertogenbosch, The Netherlands
2. PLC ± -	3. PLC ± -	APVD T. DE BOER	NAME	Tyco Electronics
4. PLC ± -	ANGLES ± -	PRODUCT SPEC	108-19082	MALE ASSEMBLY, Z-PACK 2mm HM, TYPE A/B25 WITH OFFSET POLARIZATION
MATERIAL 1	FINISH SEE TABLE	APPLICATION SPEC	114-19029	SIZE CASE CODE DRAWING NO
		WEIGHT	A1 00779	RESTRICTED TO
		CUSTOMER DRAWING	SCALE 4:1	SHEET 1 OF 2
			REV A1	

LOC	DIST	REVISIONS			
P	LTR	DESCRIPTION	DATE	DN	APVD
-	-	SEE SHEET 1	-	-	-

- 1 MATERIAL:
CONTACT: PHOSPHOR BRONZE.
HOUSING: GLASS-FILLED POLYESTER.
- 2 GENERAL PLATING SPECIFICATION: UNDERPLATING
(ENTIRE CONTACT): 1.27µm MIN NICKEL AND ACTION
PIN: 0.5µm MIN TIN.
FOR PLATING OF MATING SURFACES SEE APPLICABLE
SPECIFICATION REFERENCE FOR EACH DASH NUMBER.
- 3 CONFORMS TO ALL TESTING ACCORDING TO IEC 61076-4-101
PERFORMANCE LEVEL 2.
- 4 CONFORMS TO ALL TESTING ACCORDING TO IEC 61076-4-101
PERFORMANCE LEVEL 1.
- 5 CONNECTOR TESTED AND QUALIFIED AGAINST TELCORDIA GR-1217-CORE QUALITY LEVEL 3,
CENTRAL OFFICE APPLICATIONS.
- 6 CONNECTOR TESTED AND QUALIFIED AGAINST TELCORDIA GR-1217-CORE QUALITY LEVEL 3,
UNCONTROLLED ENVIRONMENT APPLICATIONS.
- 7 CONNECTOR MARKED WITH PART NUMBER AND DATE CODE.
ADDITIONAL CHARACTERS OR MARKINGS, AS WELL AS THE LOCATION OF THE MARKINGS,
MAY BE ADDED FOR TRACEABILITY BASED UPON MANUFACTURERS DISCRETION.
- 8 PLATED-THROUGH HOLES AT 2x2mm SQUARE GRID
PATTERN DEFINED BY CONTACT LAYOUT.
- 9 FOR ACTUAL PIN LOADING SEE "CONTACT LAYOUT".
- 10 FOR ACTUAL PIN DIMENSIONS SEE "CONTACT DIMENSIONS".
- 11 TO BE MEASURED AT BOTTOM OF SHROUD.
- 12 CONNECTOR LUBRICATED WITH BELCORE APPROVED LUBRICANT,
TECHNICAL REFERENCE: TR-NWT-001217 ISSUE 1, SEP 1992.

THIS DRAWING IS A CONTROLLED DOCUMENT.		DIN EJ MOOIJ 22NOV09	Tyco Electronics Corporation 's-Hertogenbosch, The Netherlands	
DIMENSIONS: mm		CIK R.VERBEEF 26NOV09	Tyco Electronics	
TOLERANCES UNLESS OTHERWISE SPECIFIED:		APVD T.D.F. BOER 27NOV09	NAME	
0. PLC ± -		PRODUCT SPEC		
1. PLC ± 0.1		108-19082		
2. PLC ± -		APPLICATION SPEC		
3. PLC ± -		114-19029		
4. PLC ± -		SIZE	CAGE CODE	DRAWING NO
ANGLES ± ± -		A1	00779	1551494
MATERIAL SEE SHEET 1	FINISH SEE SHEET 1	WEIGHT -	RESTRICTED TO -	
CUSTOMER DRAWING		SCALE	SHEET	REV
		4:1	2 OF 2	A1

Mouser Electronics

Authorized Distributor

Click to View Pricing, Inventory, Delivery & Lifecycle Information:

[TE Connectivity:](#)

[1551494-1](#)