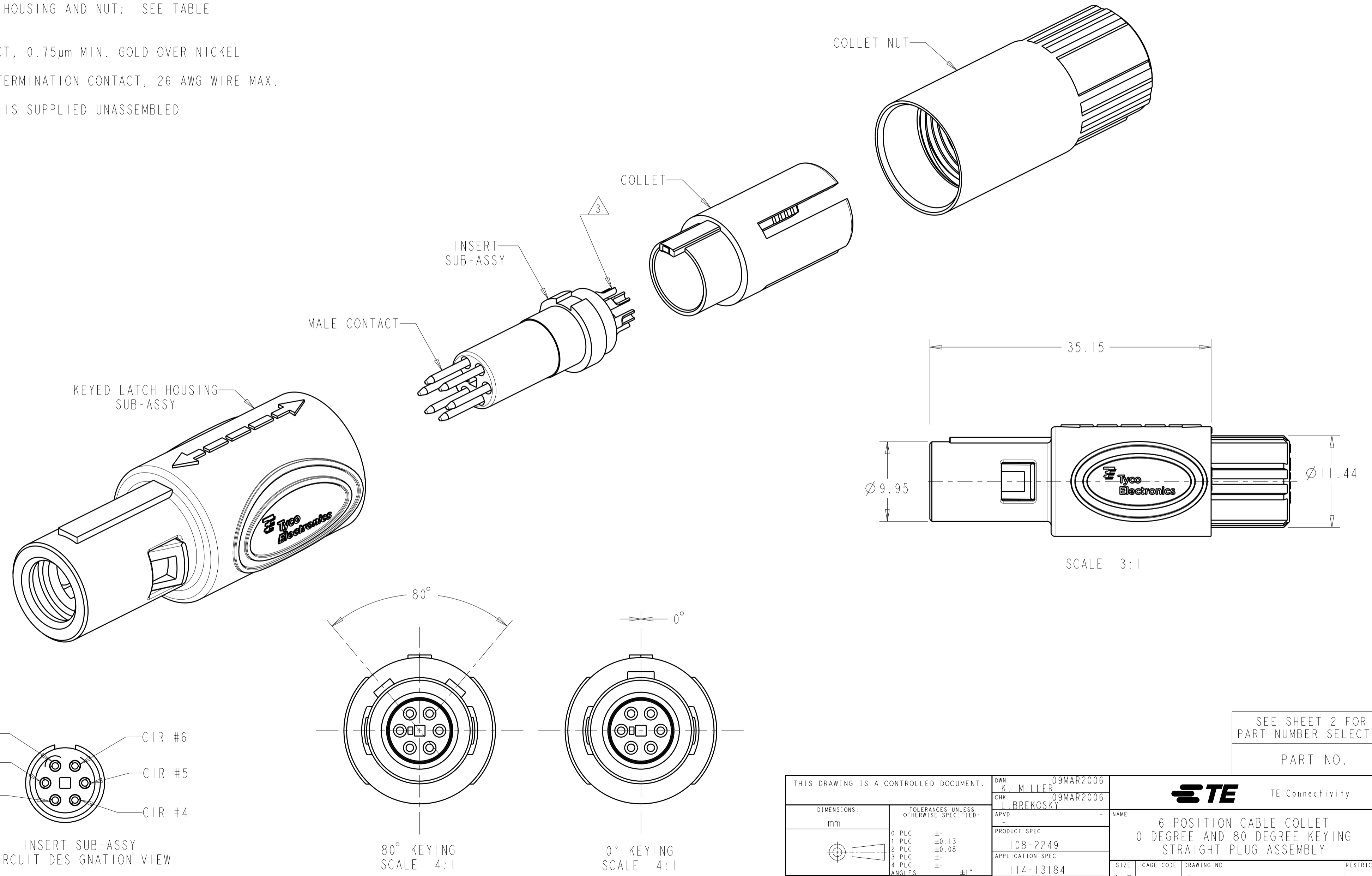


THIS DRAWING IS UNPUBLISHED. RELEASED FOR PUBLICATION 20  
 © COPYRIGHT 20 BY - ALL RIGHTS RESERVED.

LOC	DIST	REVISIONS			
P	LTR	DESCRIPTION	DATE	DWN	APVD
AD	00	B3	REVISED PER ECO-11-005027	12MAR2011	RK HMR

- 1 MATERIAL:  
 CONTACT: BRASS  
 LATCH HOUSING, INSERT, COLLET, COLLET NUT:  
 UL 94V-0 RATED THERMOPLASTIC  
 COLOR:  
 COLLET AND INSERT: GRAY  
 LATCH HOUSING AND NUT: SEE TABLE
- 2 FINISH:  
 CONTACT, 0.75µm MIN. GOLD OVER NICKEL
- 3 SOLDER TERMINATION CONTACT, 26 AWG WIRE MAX.
- 4. PRODUCT IS SUPPLIED UNASSEMBLED



SEE SHEET 2 FOR  
 PART NUMBER SELECTION  
 PART NO.

THIS DRAWING IS A CONTROLLED DOCUMENT.		DWN K. MILLER 09MAR2006	TE Connectivity															
		CHK L. BREKOSKY 09MAR2006																
DIMENSIONS: mm		TOLERANCES UNLESS OTHERWISE SPECIFIED:		NAME 6 POSITION CABLE COLLET 0 DEGREE AND 80 DEGREE KEYING STRAIGHT PLUG ASSEMBLY														
<table border="1"> <tr><td>0 PLC</td><td>±</td></tr> <tr><td>1 PLC</td><td>±0.13</td></tr> <tr><td>2 PLC</td><td>±0.08</td></tr> <tr><td>3 PLC</td><td>±</td></tr> <tr><td>4 PLC</td><td>±</td></tr> <tr><td>ANGLES</td><td>±1°</td></tr> <tr><td>FINISH</td><td></td></tr> </table>		0 PLC	±	1 PLC	±0.13	2 PLC	±0.08	3 PLC	±	4 PLC	±	ANGLES	±1°	FINISH		PRODUCT SPEC 108-2249	APVD -	RESTRICTED TO -
0 PLC	±																	
1 PLC	±0.13																	
2 PLC	±0.08																	
3 PLC	±																	
4 PLC	±																	
ANGLES	±1°																	
FINISH																		
MATERIAL		APPLICATION SPEC 114-13184	WEIGHT -	SIZE A2														
1		CUSTOMER DRAWING		CAGE CODE 00779														
2		SCALE 4:1		DRAWING NO 1877846														
		SHEET 1 OF 3		REV B3														

THIS DRAWING IS UNPUBLISHED. RELEASED FOR PUBLICATION 20  
 © COPYRIGHT 20 BY - ALL RIGHTS RESERVED.


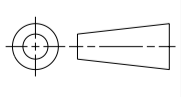
LOC	DIST	REVISIONS					
AD	00	P	LTR	DESCRIPTION	DATE	DWN	APVD
		-		SEE SHEET 1			

CABLE RANGE	COLLET NUT COLOR	LATCH HOUSING COLOR	KEYING	PART NO.
Ø 2.7-Ø 3.9	BLUE	GRAY	80°	7-1877846-2
Ø 4.0-Ø 5.2	BLUE	GRAY	80°	7-1877846-1
Ø 5.3-Ø 6.5	BLUE	GRAY	80°	7-1877846-0
Ø 2.7-Ø 3.9	BLUE	GRAY	0°	6-1877846-9
Ø 4.0-Ø 5.2	BLUE	GRAY	0°	6-1877846-8
Ø 5.3-Ø 6.5	BLUE	GRAY	0°	6-1877846-7
Ø 2.7-Ø 3.9	BLUE	BLACK	80°	6-1877846-6
Ø 4.0-Ø 5.2	BLUE	BLACK	80°	6-1877846-5
Ø 5.3-Ø 6.5	BLUE	BLACK	80°	6-1877846-4
Ø 2.7-Ø 3.9	BLUE	BLACK	0°	6-1877846-3
Ø 4.0-Ø 5.2	BLUE	BLACK	0°	6-1877846-2
Ø 5.3-Ø 6.5	BLUE	BLACK	0°	6-1877846-1
Ø 2.7-Ø 3.9	GREEN	GRAY	80°	6-1877846-0
Ø 4.0-Ø 5.2	GREEN	GRAY	80°	5-1877846-9
Ø 5.3-Ø 6.5	GREEN	GRAY	80°	5-1877846-8
Ø 2.7-Ø 3.9	GREEN	GRAY	0°	5-1877846-7
Ø 4.0-Ø 5.2	GREEN	GRAY	0°	5-1877846-6
Ø 5.3-Ø 6.5	GREEN	GRAY	0°	5-1877846-5
Ø 2.7-Ø 3.9	GREEN	BLACK	80°	5-1877846-4
Ø 4.0-Ø 5.2	GREEN	BLACK	80°	5-1877846-3
Ø 5.3-Ø 6.5	GREEN	BLACK	80°	5-1877846-2
Ø 2.7-Ø 3.9	GREEN	BLACK	0°	5-1877846-1
Ø 4.0-Ø 5.2	GREEN	BLACK	0°	5-1877846-0
Ø 5.3-Ø 6.5	GREEN	BLACK	0°	4-1877846-9
Ø 2.7-Ø 3.9	YELLOW	GRAY	80°	4-1877846-8
Ø 4.0-Ø 5.2	YELLOW	GRAY	80°	4-1877846-7
Ø 5.3-Ø 6.5	YELLOW	GRAY	80°	4-1877846-6
Ø 2.7-Ø 3.9	YELLOW	GRAY	0°	4-1877846-5
Ø 4.0-Ø 5.2	YELLOW	GRAY	0°	4-1877846-4
Ø 5.3-Ø 6.5	YELLOW	GRAY	0°	4-1877846-3
Ø 2.7-Ø 3.9	YELLOW	BLACK	80°	4-1877846-2
Ø 4.0-Ø 5.2	YELLOW	BLACK	80°	4-1877846-1
Ø 5.3-Ø 6.5	YELLOW	BLACK	80°	4-1877846-0
Ø 2.7-Ø 3.9	YELLOW	BLACK	0°	3-1877846-9
Ø 4.0-Ø 5.2	YELLOW	BLACK	0°	3-1877846-8
Ø 5.3-Ø 6.5	YELLOW	BLACK	0°	3-1877846-7

**PART NUMBERS 37 THRU 72**

CABLE RANGE	COLLET NUT COLOR	LATCH HOUSING COLOR	KEYING	PART NO.
Ø 2.7-Ø 3.9	WHITE	GRAY	80°	3-1877846-6
Ø 4.0-Ø 5.2	WHITE	GRAY	80°	3-1877846-5
Ø 5.3-Ø 6.5	WHITE	GRAY	80°	3-1877846-4
Ø 2.7-Ø 3.9	WHITE	GRAY	0°	3-1877846-3
Ø 4.0-Ø 5.2	WHITE	GRAY	0°	3-1877846-2
Ø 5.3-Ø 6.5	WHITE	GRAY	0°	3-1877846-1
Ø 2.7-Ø 3.9	WHITE	BLACK	80°	3-1877846-0
Ø 4.0-Ø 5.2	WHITE	BLACK	80°	2-1877846-9
Ø 5.3-Ø 6.5	WHITE	BLACK	80°	2-1877846-8
Ø 2.7-Ø 3.9	WHITE	BLACK	0°	2-1877846-7
Ø 4.0-Ø 5.2	WHITE	BLACK	0°	2-1877846-6
Ø 5.3-Ø 6.5	WHITE	BLACK	0°	2-1877846-5
Ø 2.7-Ø 3.9	RED	GRAY	80°	2-1877846-4
Ø 4.0-Ø 5.2	RED	GRAY	80°	2-1877846-3
Ø 5.3-Ø 6.5	RED	GRAY	80°	2-1877846-2
Ø 2.7-Ø 3.9	RED	GRAY	0°	2-1877846-1
Ø 4.0-Ø 5.2	RED	GRAY	0°	2-1877846-0
Ø 5.3-Ø 6.5	RED	GRAY	0°	1-1877846-9
Ø 2.7-Ø 3.9	RED	BLACK	80°	1-1877846-8
Ø 4.0-Ø 5.2	RED	BLACK	80°	1-1877846-7
Ø 5.3-Ø 6.5	RED	BLACK	80°	1-1877846-6
Ø 2.7-Ø 3.9	RED	BLACK	0°	1-1877846-5
Ø 4.0-Ø 5.2	RED	BLACK	0°	1-1877846-4
Ø 5.3-Ø 6.5	RED	BLACK	0°	1-1877846-3
Ø 2.7-Ø 3.9	GRAY	GRAY	80°	1-1877846-2
Ø 4.0-Ø 5.2	GRAY	GRAY	80°	1-1877846-1
Ø 5.3-Ø 6.5	GRAY	GRAY	80°	1-1877846-0
Ø 2.7-Ø 3.9	GRAY	GRAY	0°	1877846-9
Ø 4.0-Ø 5.2	GRAY	GRAY	0°	1877846-8
Ø 5.3-Ø 6.5	GRAY	GRAY	0°	1877846-7
Ø 2.7-Ø 3.9	BLACK	BLACK	80°	1877846-6
Ø 4.0-Ø 5.2	BLACK	BLACK	80°	1877846-5
Ø 5.3-Ø 6.5	BLACK	BLACK	80°	1877846-4
Ø 2.7-Ø 3.9	BLACK	BLACK	0°	1877846-3
Ø 4.0-Ø 5.2	BLACK	BLACK	0°	1877846-2
Ø 5.3-Ø 6.5	BLACK	BLACK	0°	1877846-1

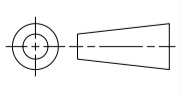
**PART NUMBERS 1 THRU 36**

THIS DRAWING IS A CONTROLLED DOCUMENT.		DWN K. MILLER 09MAR2006	 TE Connectivity	
		CHK L. BREKOSKY 09MAR2006		
DIMENSIONS: mm		TOLERANCES UNLESS OTHERWISE SPECIFIED: 0 PLC ± 1 PLC ±0.13 2 PLC ±0.08 3 PLC ± 4 PLC ± ANGLES ±1° FINISH		NAME 6 POSITION CABLE COLLET 0 DEGREE AND 80 DEGREE KEYING STRAIGHT PLUG ASSEMBLY
		PRODUCT SPEC 108-2249 APPLICATION SPEC 114-13184	SIZE A2	CAGE CODE 00779
MATERIAL		DRAWING NO 1877846	RESTRICTED TO -	SCALE 4:1
		CUSTOMER DRAWING		SHEET 2 OF 3 REV B3

THIS DRAWING IS UNPUBLISHED.      RELEASED FOR PUBLICATION      20  
 © COPYRIGHT 20      BY      ALL RIGHTS RESERVED.

LOC	DIST	REVISIONS					
		P	LTR	DESCRIPTION	DATE	DWN	APVD
AD	00	-		SEE SHEET 1	-	-	-

Ø 2.7-Ø 3.9	BLACK	GRAY	80°	8-1877846-4
Ø 4.0-Ø 5.2	BLACK	GRAY	80°	8-1877846-3
Ø 5.3-Ø 6.5	BLACK	GRAY	80°	8-1877846-2
Ø 2.7-Ø 3.9	BLACK	GRAY	0°	8-1877846-1
Ø 4.0-Ø 5.2	BLACK	GRAY	0°	8-1877846-0
Ø 5.3-Ø 6.5	BLACK	GRAY	0°	7-1877846-9
Ø 2.7-Ø 3.9	GRAY	BLACK	80°	7-1877846-8
Ø 4.0-Ø 5.2	GRAY	BLACK	80°	7-1877846-7
Ø 5.3-Ø 6.5	GRAY	BLACK	80°	7-1877846-6
Ø 2.7-Ø 3.9	GRAY	BLACK	0°	7-1877846-5
Ø 4.0-Ø 5.2	GRAY	BLACK	0°	7-1877846-4
Ø 5.3-Ø 6.5	GRAY	BLACK	0°	7-1877846-3
CABLE RANGE	BACK-NUT COLOR	LATCH HOUSING COLOR	KEYING	PART NO.
<b>PART NUMBERS 73 THRU 84</b>				

THIS DRAWING IS A CONTROLLED DOCUMENT.		DWN K. MILLER 09MAR2006	<b>STE</b> TE Connectivity	
		CHK L. BREKOSKY 09MAR2006		
DIMENSIONS: mm	TOLERANCES UNLESS OTHERWISE SPECIFIED:	APVD -	NAME 6 POSITION CABLE COLLET 0 DEGREE AND 80 DEGREE KEYING STRAIGHT PLUG ASSEMBLY	
	0 PLC ± 1 PLC ±0.13 2 PLC ±0.08 3 PLC ± 4 PLC ±	PRODUCT SPEC 108-2249	SIZE A2	CAGE CODE 00779
MATERIAL	FINISH	APPLICATION SPEC 114-13184	DRAWING NO 1877846	RESTRICTED TO -
		WEIGHT -	SCALE 4:1    SHEET 3 OF 3    REV B3	
CUSTOMER DRAWING				

# Mouser Electronics

Authorized Distributor

Click to View Pricing, Inventory, Delivery & Lifecycle Information:

[TE Connectivity:](#)

[4-1877846-2](#)