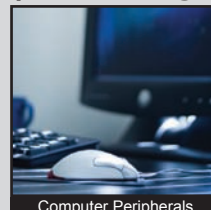
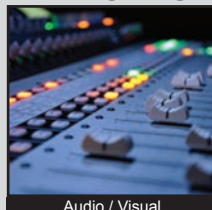


# TL1014 SERIES TACT SWITCH

ANTI-VANDAL SWITCHES  
 DETECTOR SWITCHES  
 DIP SWITCHES  
 KEYLOCK SWITCHES  
 NAVIGATION SWITCHES  
 PUSHBUTTON SWITCHES  
 ROCKER SWITCHES  
 ROTARY SWITCHES  
 SLIDE SWITCHES  
 SNAP ACTION SWITCHES  
**TACTILE SWITCHES**  
 TOGGLE SWITCHES  
 CAP OPTIONS



## APPLICATIONS / MARKETS



**RoHS**

## SPECIFICATIONS

**Electrical Rating:** 50mA @ 12VDC  
**Life Expectancy:**  
 160 gf: 200,000 cycles  
 220 gf: 100,000 cycles  
**Contact Resistance:** 100mΩ Max. Initial  
**Insulation Resistance:** 100 MΩ Min. at 500V  
**Dielectric Strength:** 250VAC for 1 min.  
**Operating/Storage Temperature:** -40°C to 85°C  
**Operating Force:** 160 gf, 220 gf  
**Travel:**  
 160 gf: 0.25mm  
 220 gf: 0.30mm  
**Contact Arrangement:** SPST

## FEATURES & BENEFITS

- Tape & Reel packaging
- Multiple operating forces
- Surface mount termination
- Right angle design
- Subminiature in size

## PART NUMBER CONFIGURATOR

Series	Boss	Actuation Force	Contact Plating	Termination
<input type="checkbox"/> <input type="checkbox"/> <input type="checkbox"/> <input type="checkbox"/> <input type="checkbox"/> <input type="checkbox"/> TL1014	<input type="checkbox"/> A - No boss B - Boss	<input type="checkbox"/> <input type="checkbox"/> <input type="checkbox"/> <input type="checkbox"/> F160 - 160 gf F220 - 220 gf	<input type="checkbox"/> Q - Silver	<input type="checkbox"/> G - Gullwing

*Specifications subject to change without notice*



**E-SWITCH®**

www.e-switch.com

800.867.2717

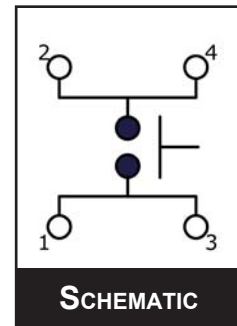
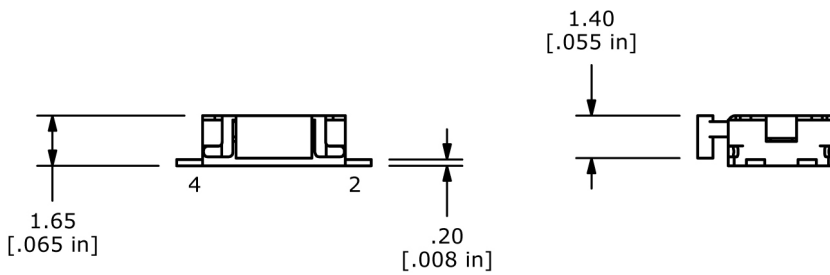
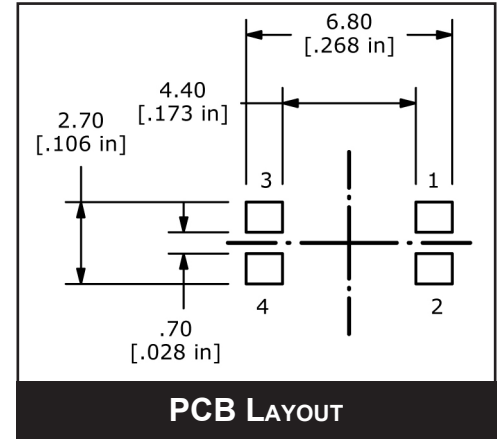
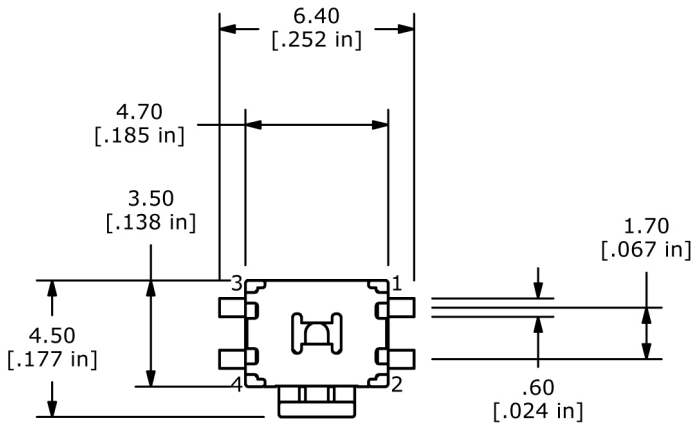
2

# TL1014 SERIES TACT SWITCH

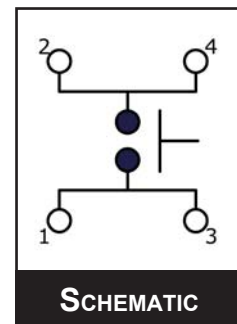
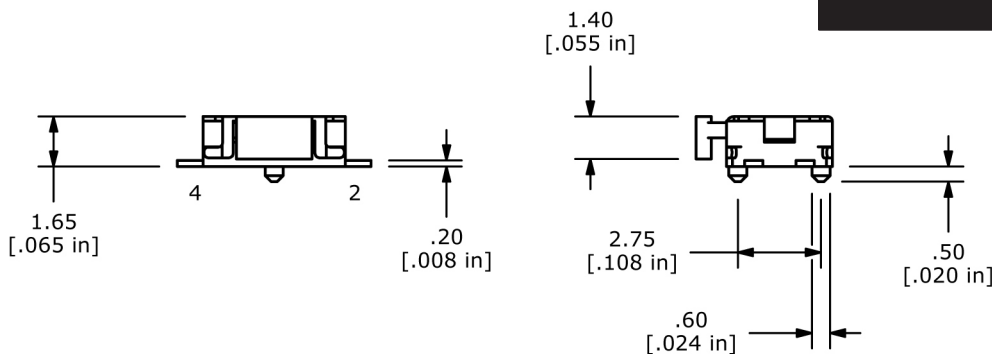
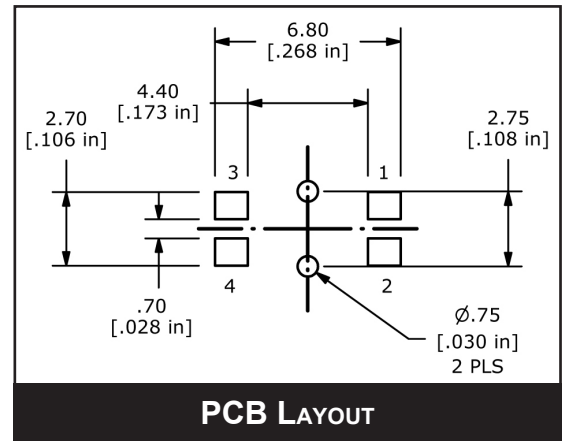
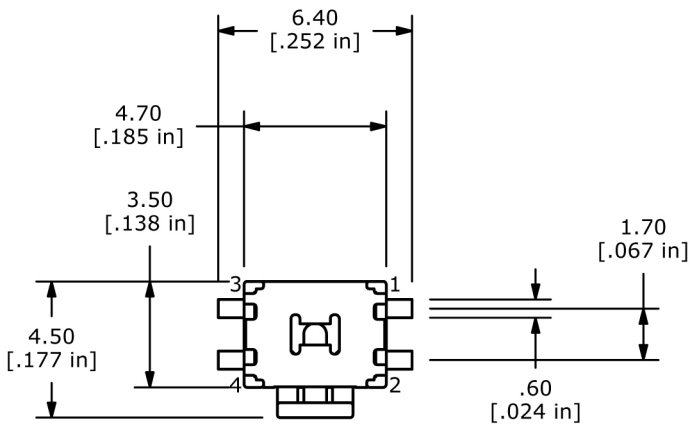
ANTI-VANDAL SWITCHES  
 DETECTOR SWITCHES  
 DIP SWITCHES  
 KEYLOCK SWITCHES  
 NAVIGATION SWITCHES  
 PUSHBUTTON SWITCHES  
 ROCKER SWITCHES  
 ROTARY SWITCHES  
 SLIDE SWITCHES  
 SNAP ACTION SWITCHES  
 TACTILE SWITCHES  
 TOGGLE SWITCHES  
 CAP OPTIONS

## BODY DIMENSIONS

### A - No Boss



### B - With Boss



# Mouser Electronics

Authorized Distributor

Click to View Pricing, Inventory, Delivery & Lifecycle Information:

[E-Switch:](#)

[TL1014AF160QG](#)