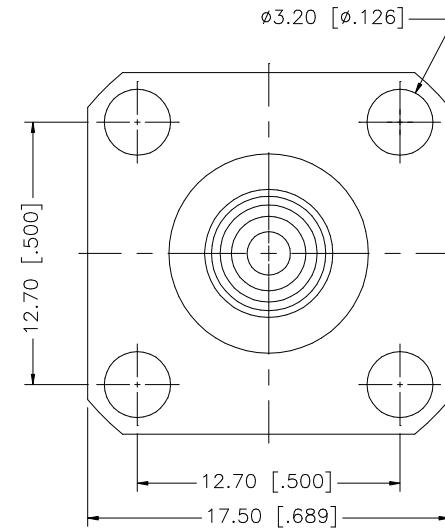
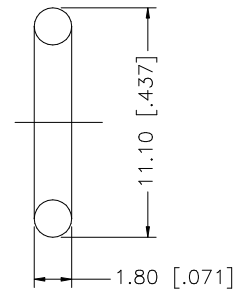
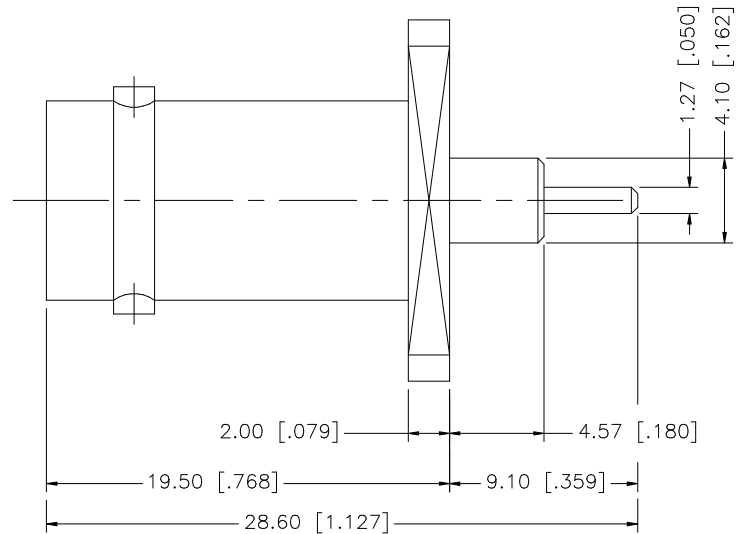


REV.	DATE	DESCRIPTION
NC	09/23/99	INITIAL RELEASE
A	12/18/06	UPDATE DRAWING FORMAT



8				
7				
6				
5				
4	GASKET	SILICONE	RED	1
3	CONTACT PIN	PHOS. BRONZE	GOLD	1
2	INSULATOR	TEFLON	NATURAL	1
1	BODY	BRASS	NICKEL	1
	DESCRIPTION	MATERIAL	FINISH	QTY

UNLESS OTHERWISE SPECIFIED DIMENSIONS ARE IN MILLIMETERS. DIMENSIONS IN [] ARE IN INCHES AND FOR CUSTOMER REFERENCE ONLY.

UNLESS OTHERWISE SPECIFIED TOLERANCES FOR MILLIMETERS ARE:
0.5 - 8mm \pm 0.20mm
8 - 30mm \pm 0.40mm
30 - 120mm \pm 0.50mm

UNLESS OTHERWISE SPECIFIED TOLERANCES FOR INCHES ARE:
.020 - .315 \pm 0.007"
.315 - 1.180 \pm 0.015"
1.180 - 4.724 \pm 0.020"

DO NOT SCALE DRAWING

APPROVALS	DATE
DRAWN G.R.S.	12/18/06
CHECKED	
ISSUED	
SHEET 1 OF 1	
CAD FILE	C:/112/112639.DWG

Amphenol Connex

PART DESCRIPTION

BNC PANEL JACK - EXTENDED TEFLON

PART NO.

112639

DWG. NO.

112639.DWG

REV. A

SIZE A

SCALE NA

Mouser Electronics

Authorized Distributor

Click to View Pricing, Inventory, Delivery & Lifecycle Information:

[Amphenol:](#)

[112639](#)