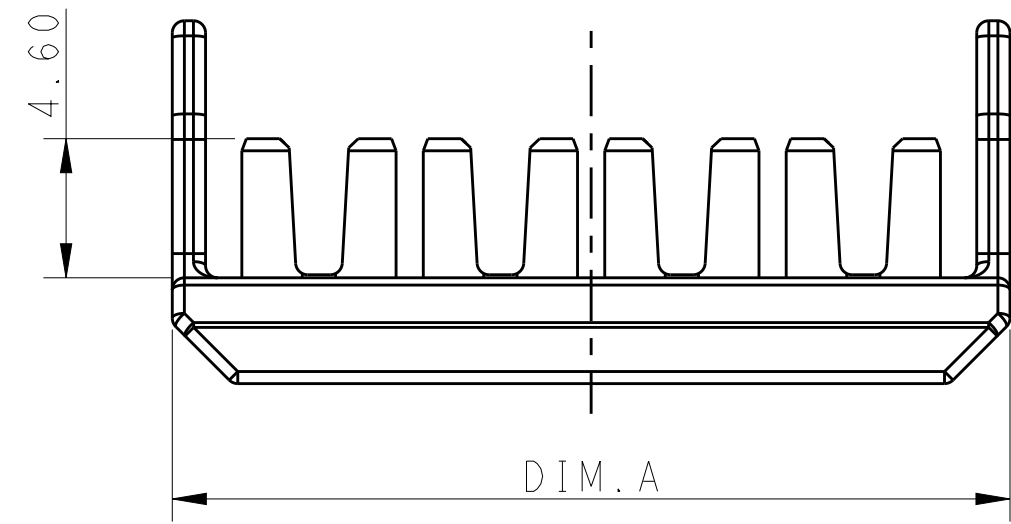
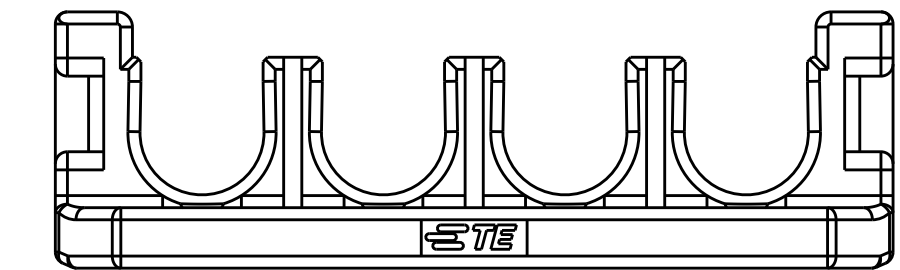
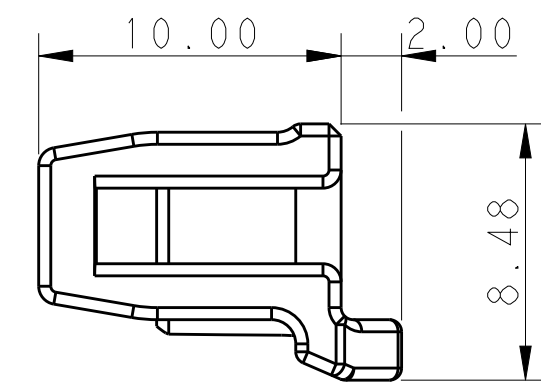
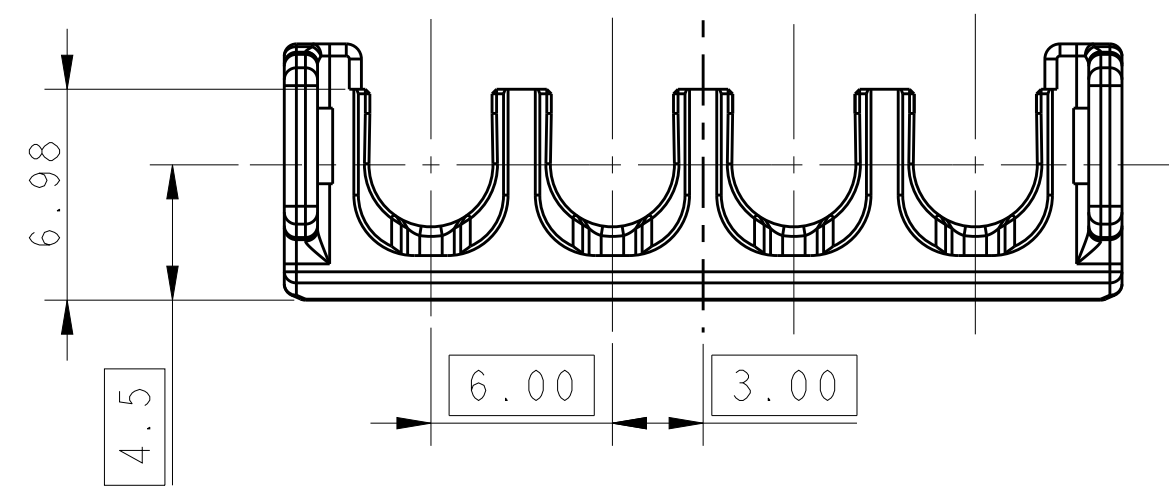
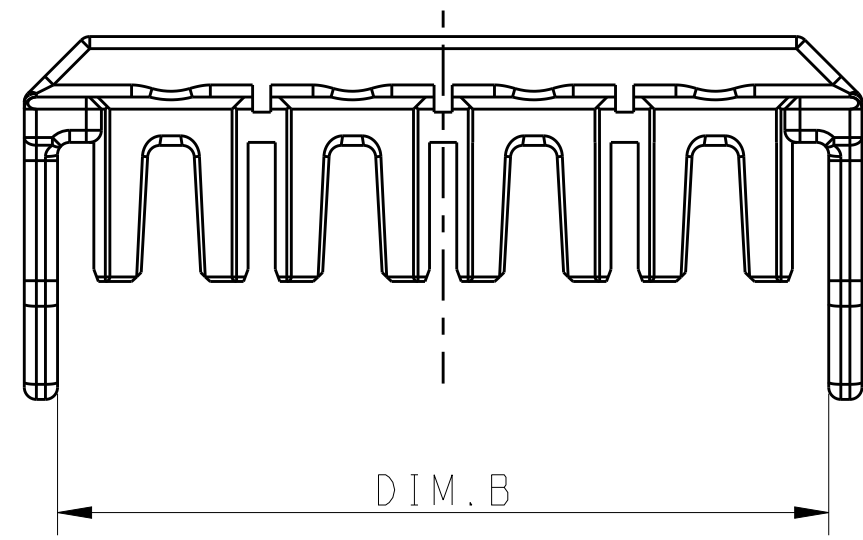


THIS DRAWING IS UNPUBLISHED. RELEASED FOR PUBLICATION 20  
 © COPYRIGHT 20 BY - ALL RIGHTS RESERVED.

LOC		DIST		REVISIONS			
P	LTR	DESCRIPTION	DATE	DWN	APVD		
	A	RELEASE DRAWING	04FEB2013	T.W	YH.M		
	A1	ECR-13-005295	11APR2013	T.W	YH.M		
	B	ECR-13-017737	13NOV2013	M.T	D.Z		



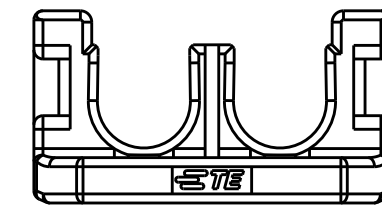
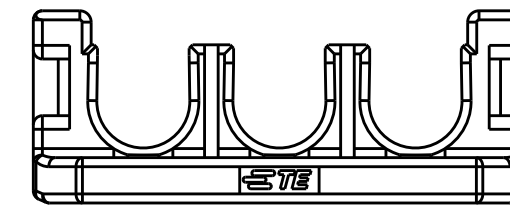
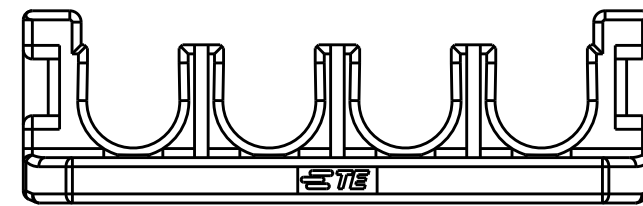
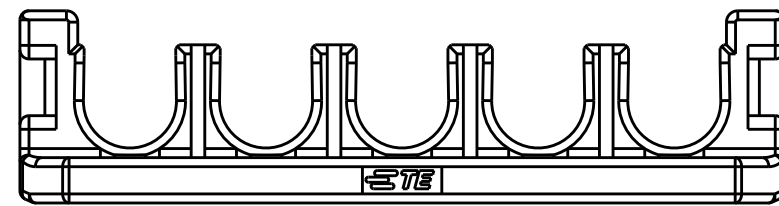
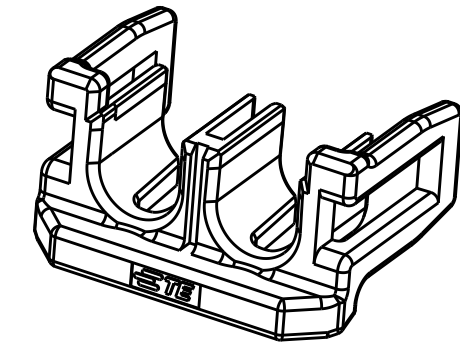
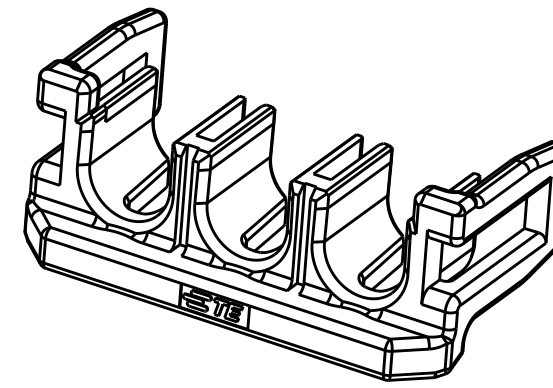
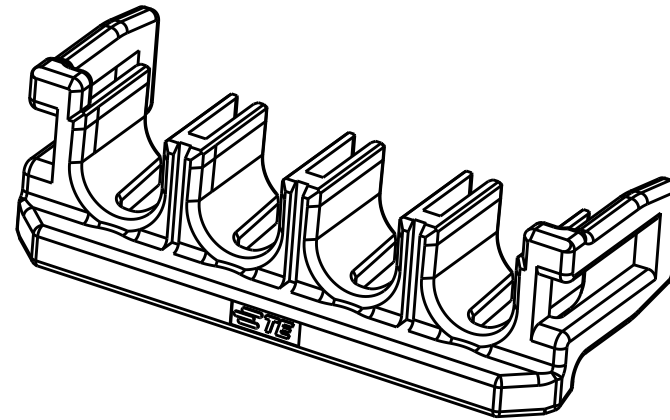
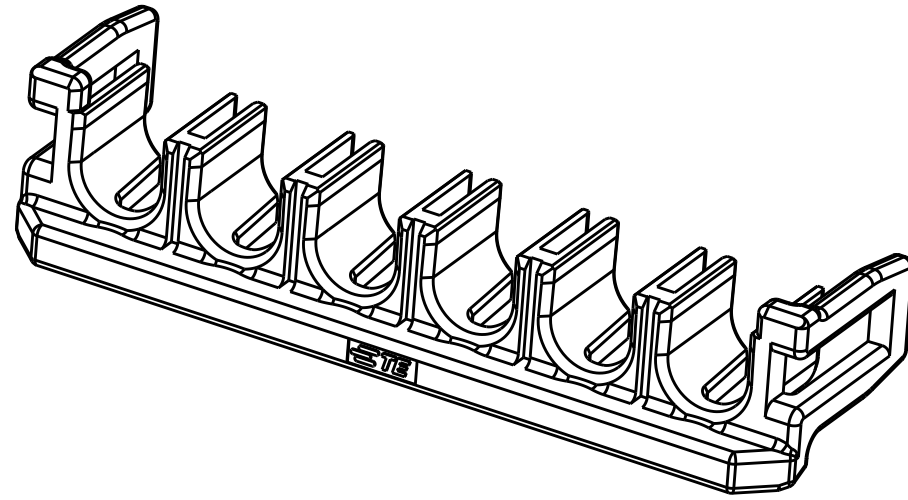
- NOTE
- ① HIGH TEMP VERSIONS ARE RATED 150°C MAX AND ARE RECOMMENDED FOR USE WITH STANDARE TEMP, HIGH TEMP AND GLOW WIRE RATED HOUSINGS.
  - ② HOT WIRE IGNITION(HWI) VERSIONS ARE MOLDED IN A RESIN THAT COMPLIES WITH TE NOT WIRE IGNITION TEST 109-32026 AND ARE RECOMMENDED FOR USE WITH HWI HOUSINGS THAT ALSO COMPLY.
  - 3. MATING CONN, P/N  
 CAP HSG: \*-1971\*7\*-\*/\*-22322\*\*\*-\*/\*-22323\*\*\*-  
 PLUG HSG: \*-1971\*7\*-\*/\*-22322\*\*\*-\*/\*-22323\*\*\*-\*
  - 4. PRODUCT SPEC: 108-106118
  - 5. APPLICATION SPEC: 114-106118
  - 6. FLAMMABILITY RATING: UL94V-0
  - ⑦ PRE-PRODUCTION-FASR REQUIRED

POS.	DIM. A	DIM. B
1*5	33.70	31.5
1*4	27.70	25.5
1*3	21.70	19.5
1*2	15.70	13.5

THIS DRAWING IS A CONTROLLED DOCUMENT.		DWN TOMMY WU 09JUL2012	<b>STE</b> TE Connectivity	
		CHK HAPYE WU 09JUL2012		
DIMENSIONS: mm		APVD YUHONG MAO 09JUL2012	NAME DOUBLE LOCK PLATE, SINGLE ROW POWER TRIPLE LOCK	
TOLERANCES UNLESS OTHERWISE SPECIFIED:		PRODUCT SPEC 108-106118	SIZE CAGE CODE DRAWING NO RESTRICTED TO	
0 PLC ±		APPLICATION SPEC 114-106118	A200779 C-1971777	
1 PLC ±0.35		WEIGHT -	SCALE - SHEET 1 OF 2 REV B	
2 PLC ±0.25				
3 PLC ±				
4 PLC ±				
ANGLES ±				
FINISH				
SEE TABLE		Customer Drawing		

THIS DRAWING IS UNPUBLISHED. RELEASED FOR PUBLICATION 20  
 © COPYRIGHT 20 BY - ALL RIGHTS RESERVED.

LOC		DIST		REVISIONS			
P	LTR	DESCRIPTION	DATE	DWN	APVD		
-	-	SEE SHEET 1	-	-	-		



1\*5 POSITIONS

1\*4 POSITIONS

1\*3 POSITIONS

1\*2 POSITIONS

BLACK	PBT GF	HWI	2	1*2	3-1971777-27
NATURAL	PBT GF	HWI	2	1*5	2-1971777-57
NATURAL	PBT GF	HWI	2	1*4	2-1971777-47
NATURAL	PBT GF	HWI	2	1*3	2-1971777-3
NATURAL	PBT GF	HWI	2	1*2	2-1971777-2
BLACK	NYLON	HIGH TEMP	1	1*5	1971777-5
BLACK	NYLON	HIGH TEMP	1	1*4	1971777-4
BLACK	NYLON	HIGH TEMP	1	1*3	1971777-3
BLACK	NYLON	HIGH TEMP	1	1*2	1971777-2
COLOR	MATERIAL	TYPE	1	POSITIONS	P/N

THIS DRAWING IS A CONTROLLED DOCUMENT.		DWN TOMMY WU 09JUL2012	TE Connectivity	
DIMENSIONS: mm		CHK HAPYE WU 09JUL2012		
TOLERANCES UNLESS OTHERWISE SPECIFIED:		APVD YUHONG MAO 09JUL2012	NAME DOUBLE LOCK PLATE, SINGLE ROW POWER TRIPLE LOCK	
0 PLC ± - 1 PLC ± 0.35 2 PLC ± 0.25 3 PLC ± - 4 PLC ± - ANGLES ± - FINISH ± -		PRODUCT SPEC 108-106118	SIZE A2	CAGE CODE 00779
MATERIAL SEE TABLE		APPLICATION SPEC 114-106118	DRAWING NO. C-1971777	RESTRICTED TO -
		WEIGHT -	SCALE -	SHEET 2 OF 2 REV B
		Customer Drawing		

# Mouser Electronics

Authorized Distributor

Click to View Pricing, Inventory, Delivery & Lifecycle Information:

[TE Connectivity:](#)

[2-1971777-3](#)