

# Customer Information Sheet

DRAWING No.: M50-360XX42

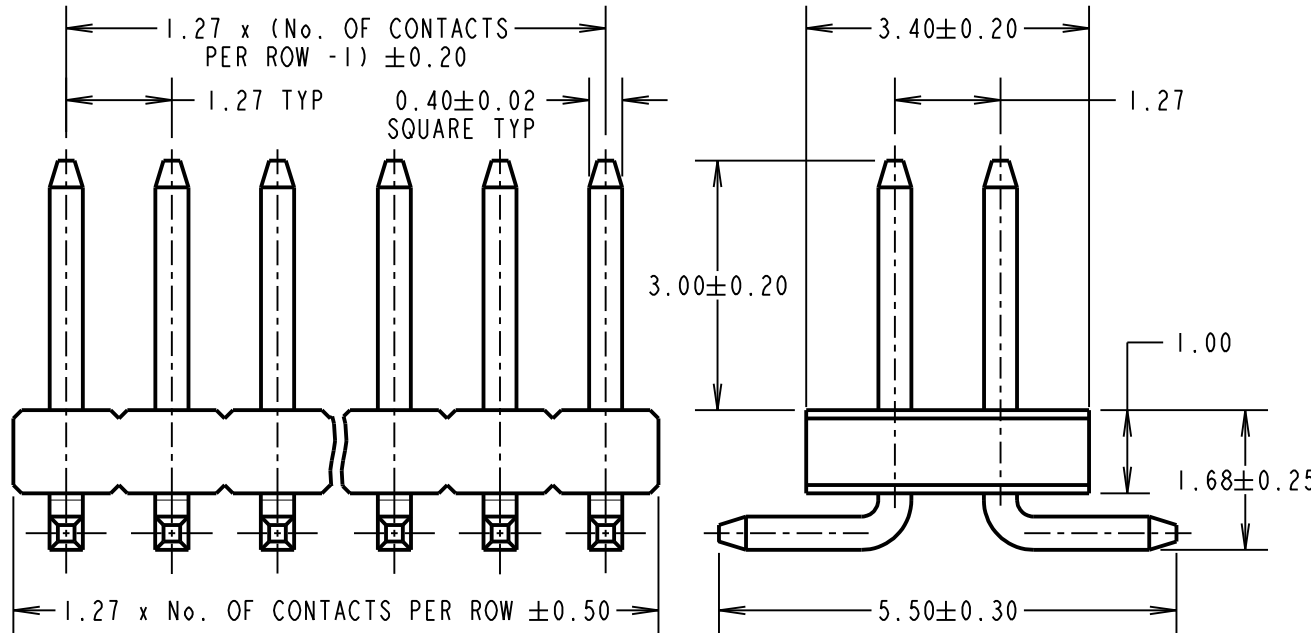
IF IN DOUBT - ASK

©

NOT TO SCALE

THIRD ANGLE PROJECTION

ALL DIMENSIONS IN mm



## SPECIFICATIONS:

### MATERIAL:

MOULDING = HIGH TEMP THERMOPLASTIC,  
UL94V-0, BLACK

CONTACTS = COPPER ALLOY

### FINISH:

CONTACTS = 0.70 TO 1.30µm NICKEL ALL OVER,  
0.08 TO 0.15µm GOLD ON CONTACT AREA,  
2.50 TO 3.00µm 100% TIN ON TAILS

### ELECTRICAL:

CURRENT RATING = 1A  
CONTACT RESISTANCE = 20mΩ MAX  
INSULATION RESISTANCE = 1000MΩ MIN  
DIELECTRIC WITHSTANDING = 500V AC FOR  
ONE MINUTE

### MECHANICAL:

DURABILITY = 300 CYCLES MIN

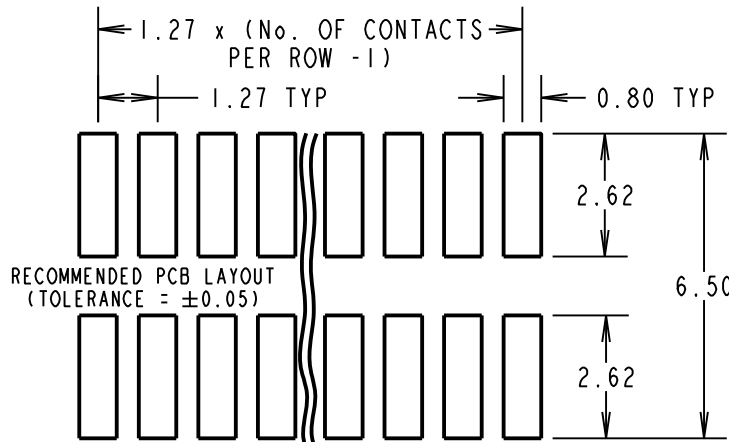
### ENVIRONMENTAL:

TEMPERATURE RANGE = -40°C TO +105°C

### PACKING:

BOX

FOR COMPLETE SPECIFICATION, SEE COMPONENT  
SPECIFICATION C029XX (LATEST ISSUE)



M50-3600242  
M50-3600342  
M50-3600542  
M50-3600642  
M50-3600742  
M50-3600842  
M50-3600942  
M50-3601042  
M50-3601242  
M50-3601542  
M50-3602042  
M50-3602542  
M50-3603042  
M50-3605042

**Active  
products:**

**OBSOLETE**

All other size/finish combinations not listed

ORDER CODE:

**M50-360XX42**

No. OF CONTACTS PER ROW: \_\_\_\_\_  
02 TO 50

FINISH: \_\_\_\_\_  
42 = SELECTIVE GOLD & 100% TIN OVER NICKEL

MGP	17	10.08.20	30130
NAME	ISS.	DATE	CN/CO
APPROVED: MGP			
CHECKED: RA			
DRAWN:		J. KIER	
CUSTOMER REF.:			
ASSEMBLY DRG:			

**HARWIN**

www.harwin.com  
technical@harwin.com

THIS DRAWING AND ANY  
INFORMATION OR DESCRIPTIVE  
MATTER SET OUT HEREON ARE  
CONFIDENTIAL AND COPYRIGHT  
PROPERTY OF THE HARWIN  
GROUP AND MUST NOT BE  
DISCLOSED, LOANED, COPIED  
OR USED FOR MANUFACTURING,  
TENDERING OR FOR ANY  
OTHER PURPOSE WITHOUT  
THEIR WRITTEN PERMISSION.

### TOLERANCES

X. = ±1mm  
X.X = ±0.50mm  
X.XX = ±0.20mm  
X.XXX = ±0.01mm  
ANGLES = ±5°  
UNLESS STATED

### MATERIAL:

SEE ABOVE

FINISH: SEE ABOVE

S/AREA: mm<sup>2</sup>

### TITLE:

1.27mm PITCH DIL VERTICAL  
SMT PIN HEADER

DRAWING NUMBER:

**M50-360XX42**

SHT  
2 OF 2