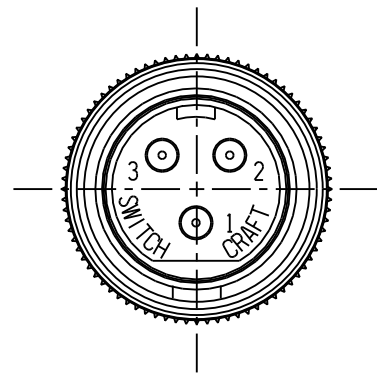


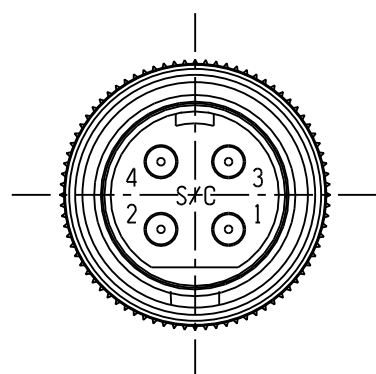
**SL402MX**

2 PIN



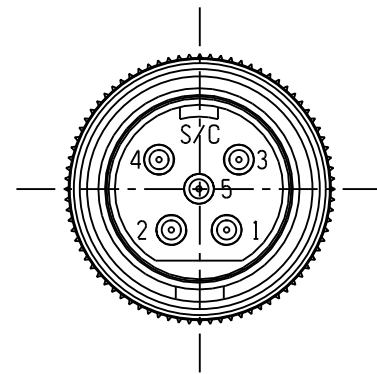
**SL403MX**

3 PIN



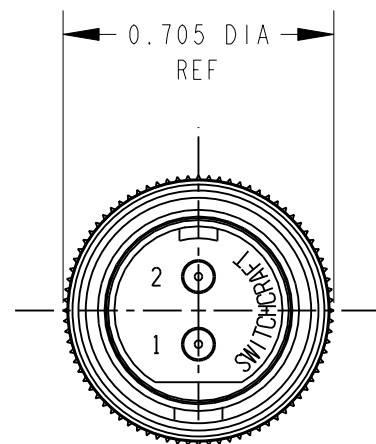
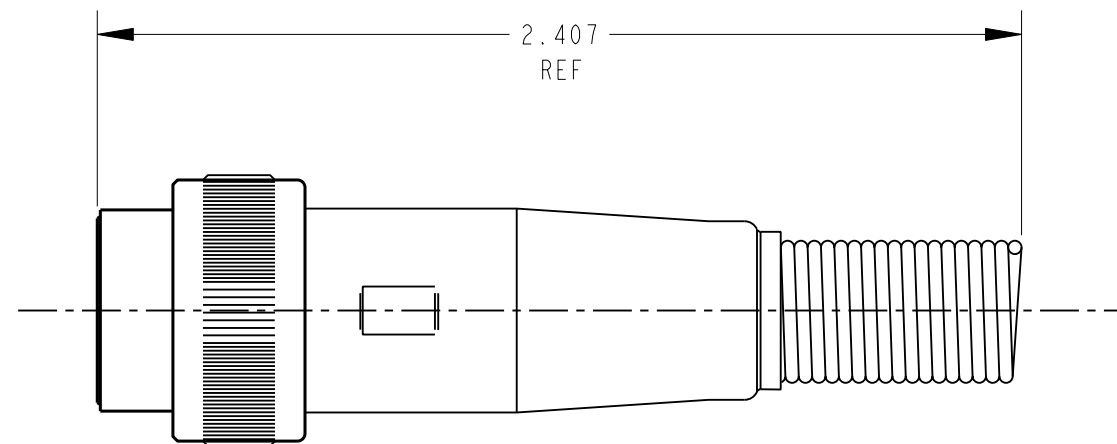
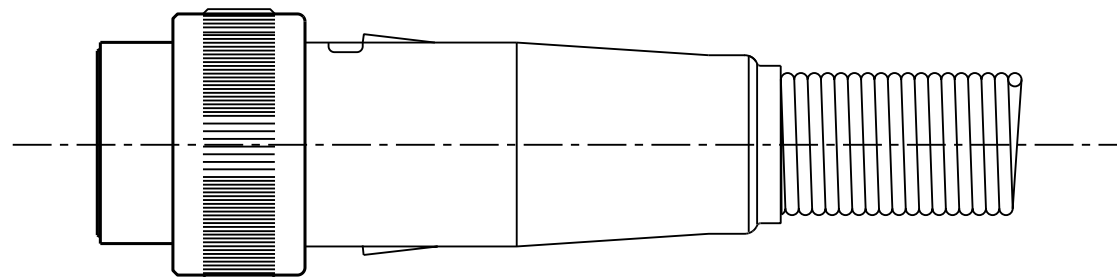
**SL404MX**

4 PIN



**SL405MX**

5 PIN



CUSTOMER DRAWING

NOTES:

- MATERIALS:  
 HOUSING - COPPER ALLOY, NICKEL PLATED  
 INSERT - GLASS REINFORCED THERMOPLASTIC  
 CONTACTS - COPPER ALLOY SILVER PLATED  
 CABLE CLAMP - STEEL, TIN PLATED  
 STRAIN RELIEF - STEEL, NICKEL PLATED  
 LATCH - STEEL, NICKEL PLATED
- THESE PRODUCTS ARE RoHS COMPLIANT.

REV	ECO NUMBER	DATE	BY	APVD
A	26152	9-18-06	JEB	TJK
REVISIONS				

★ STAR SYMBOL DENOTES CRITICAL DIMENSION

UNLESS OTHERWISE SPECIFIED

- ALL DIMENSIONS IN INCHES  
 - TWO PLACE DECIMALS ±0.01  
 - THREE PLACE DECIMALS ±0.005  
 - ANGLES ±1°  
 - ALL DIA. CONCENTRIC WITHIN 0.005 T.I.R.
- FEATURES ON THE SAME CENTERLINE MUST BE ALIGNED WITHIN ±0.002
- REMOVE ALL BURRS

DO NOT SCALE DRAWING

THIS DRAWING DESCRIBES A DESIGN CONSIDERED PROPRIETARY IN NATURE, DEVELOPED AND MANUFACTURED BY SWITCHCRAFT INC. AND IS RELEASED ON A CONFIDENTIAL BASIS FOR IDENTIFICATION PURPOSES ONLY.											
SIZE		WIDTH		MULT		LBS/M		TEMPER			
FINISH						MATERIAL					
SPEC No.						SPEC No.					
FIRST USED ON				SCALE				<b>Switchcraft</b> <sup>®</sup>			
				2:1							
DATE DRAWN	BY	CHKD	APVD								
07-Jan-09	JEB	JEB	TJK								
		01-07-09	01-07-09								
NAME						PART No.		REV			
SLIM-LINE MALE						SL402MX-SL405MX		A			
CORD PLUG CONNECTOR, RoHS											

# Mouser Electronics

Authorized Distributor

Click to View Pricing, Inventory, Delivery & Lifecycle Information:

[Switchcraft:](#)

[SL402MX](#) [SL403MX](#) [SL405FX](#) [SL405MX](#)