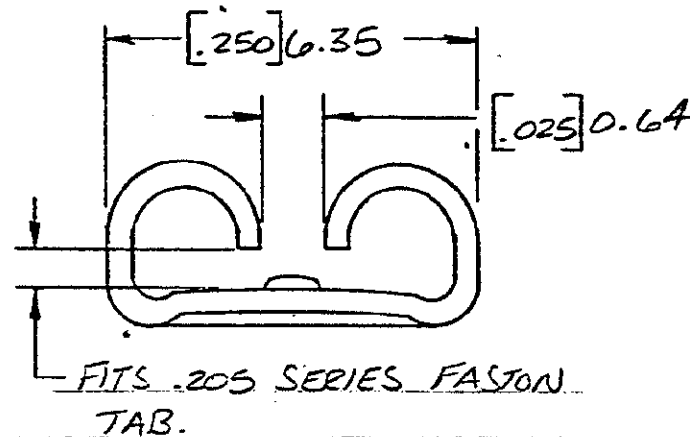
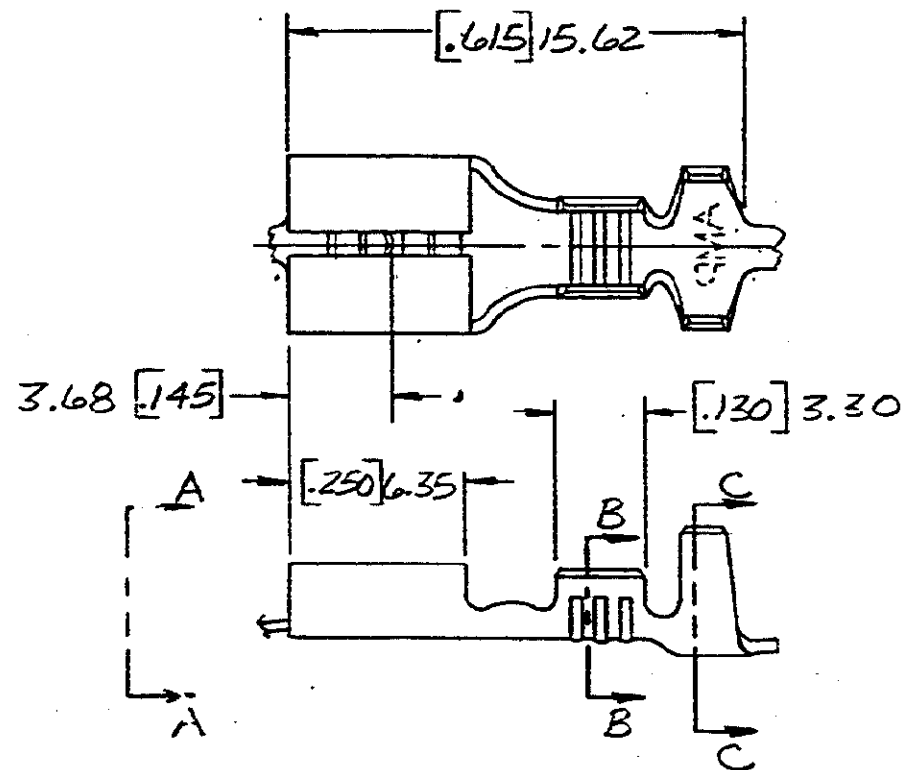
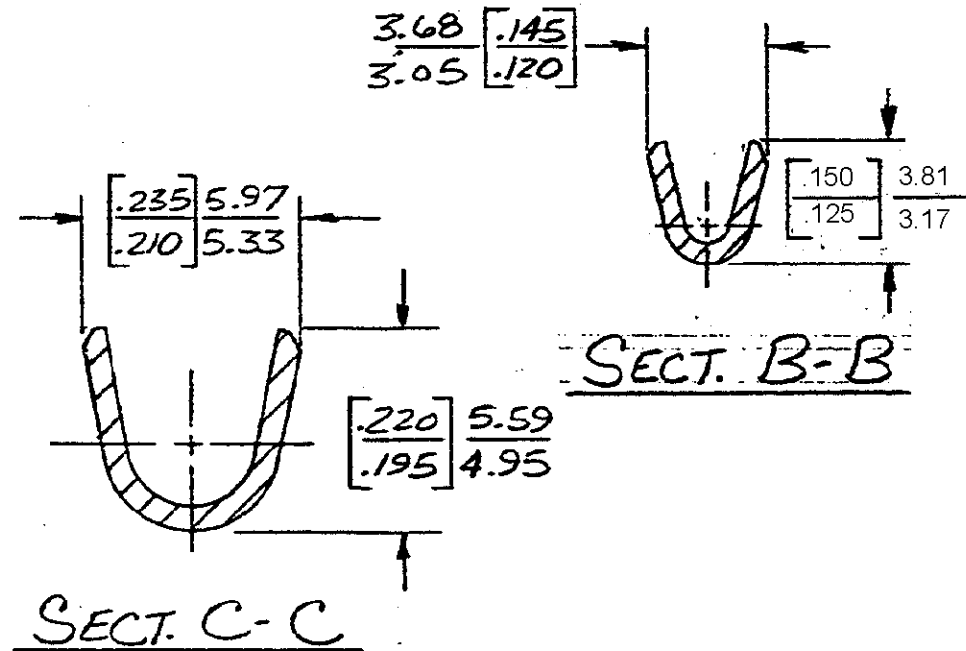


REVISIONS							
P	F	ZONE	LTR	DESCRIPTION	DATE	DWN	APVD
			S1	REVISED PER ECO-14-012645	18AUG2014	NK	DC



VIEW A-A



1 - DIM'S. IN BRACKETS ARE IN INCHES  
 2 - CONTINUOUS STRIP ON REELS

	[0.130-0.180] 3.30-4.57	[18-14] 0.8-2.0mm <sup>2</sup>	TIN	BRASS	[0.020] 0.51	42781-2
OBSOLETE	[0.130-0.180] 3.30-4.57	[18-14] 0.8-2.0mm <sup>2</sup>	NONE	[0.016] 0.41 BRASS	[0.020] 0.51	42781-1
INSUL. RANGE	WIRE SIZE	FINISH	MATERIAL	TAB THK.	PART NO.	
UNLESS OTHERWISE SPECIFIED DIMENSIONS ARE IN INCHES. TOLERANCES ON: DECIMALS [±0.005] 0.25 ANGLES ±		CONTRACT NO		TE Connectivity NAME: .205 SERIES FASTON RECEPTACLE SIZE: B FSCM NO: 00779 DRAWING NO: 42781 SCALE: SHEET:		
MATERIAL		DR <i>D.R. Rott</i> 4/30/83				
SEE TABLE		CHK <i>G. Yetter</i> 7/11/83				
FINISH		APPD <i>C. Mingers</i> 7/14/83				
SEE TABLE		APPD <i>D. K...</i> 7/14/83				
		DSGN APPD				
		OTHER APPD				

# Mouser Electronics

Authorized Distributor

Click to View Pricing, Inventory, Delivery & Lifecycle Information:

[TE Connectivity:](#)

[42781-2](#)