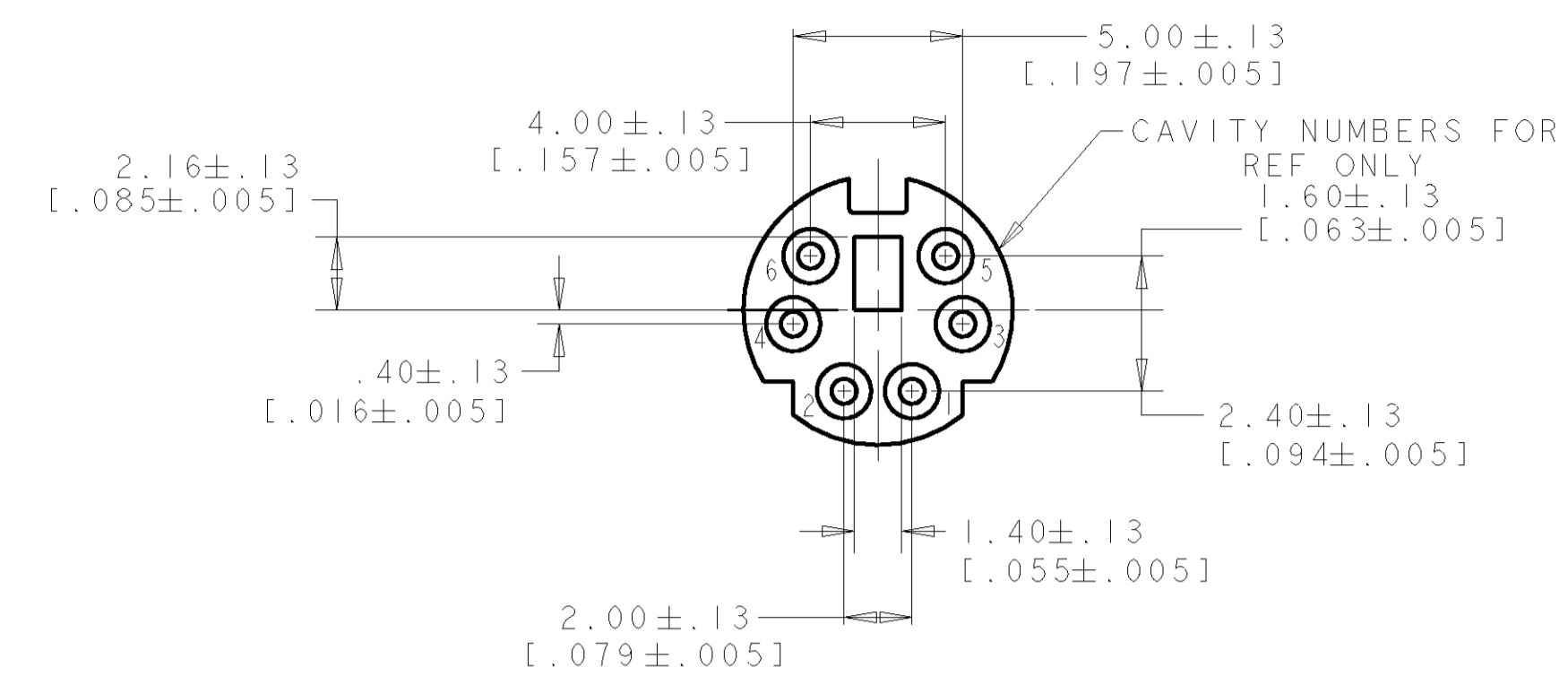
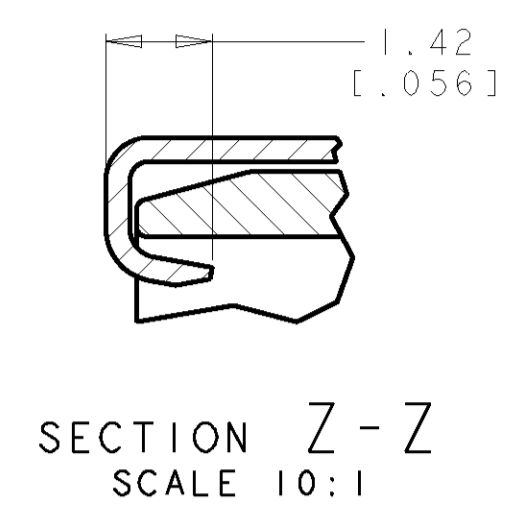
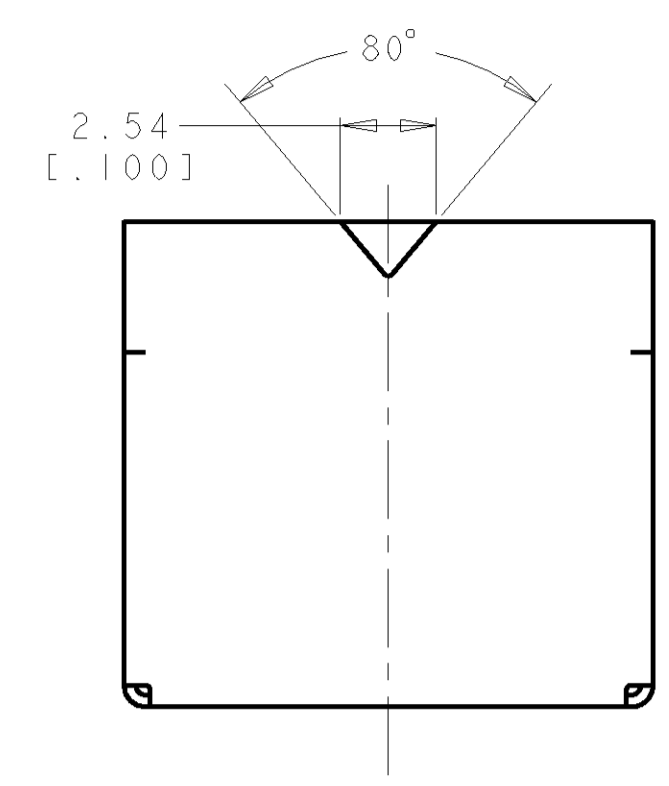
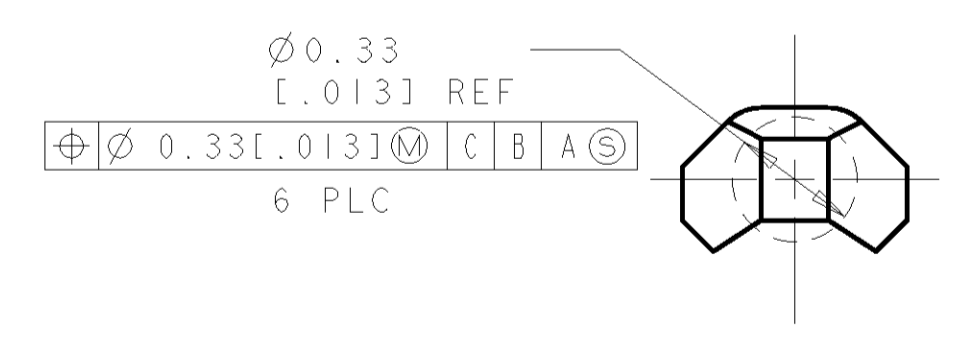
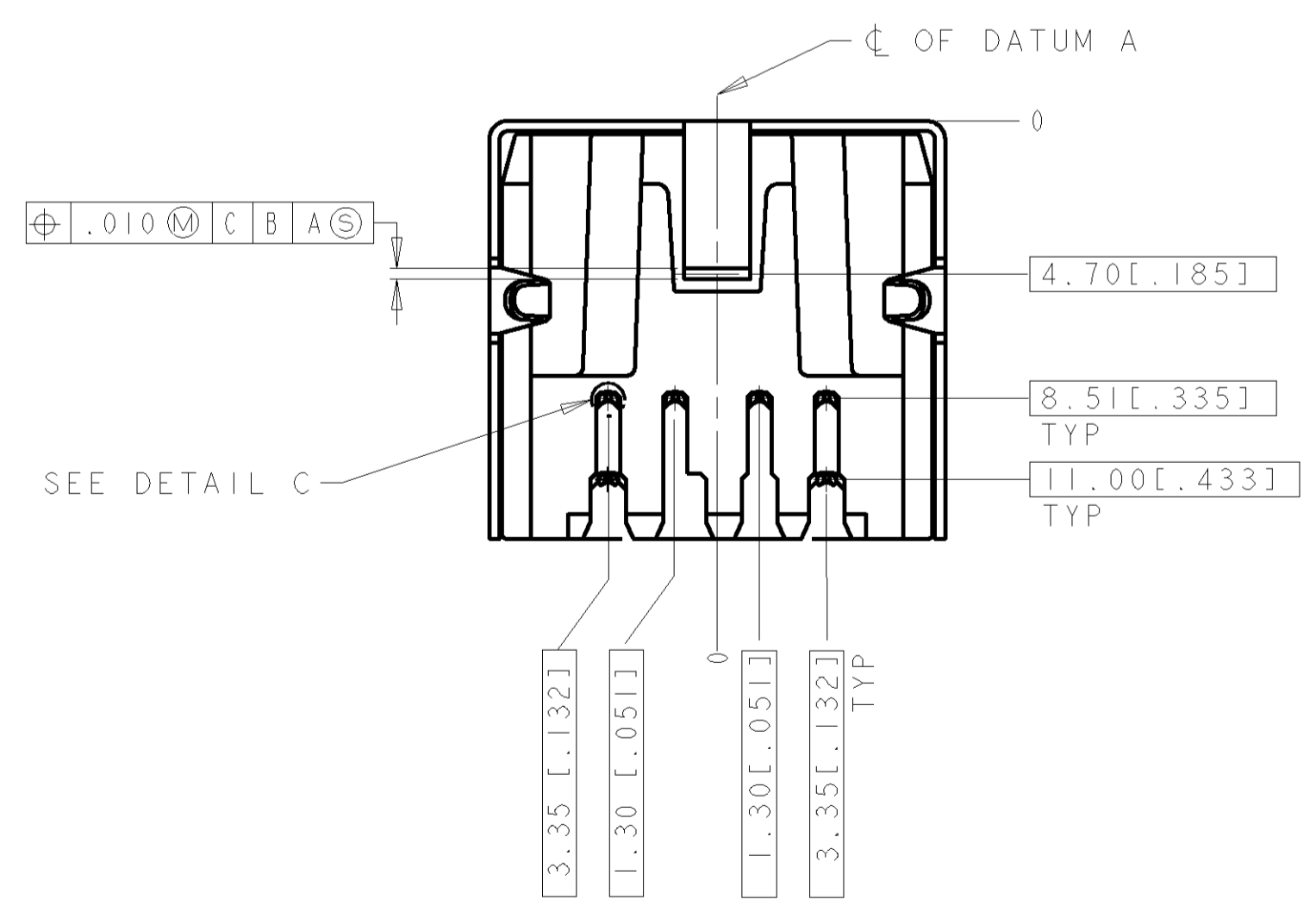
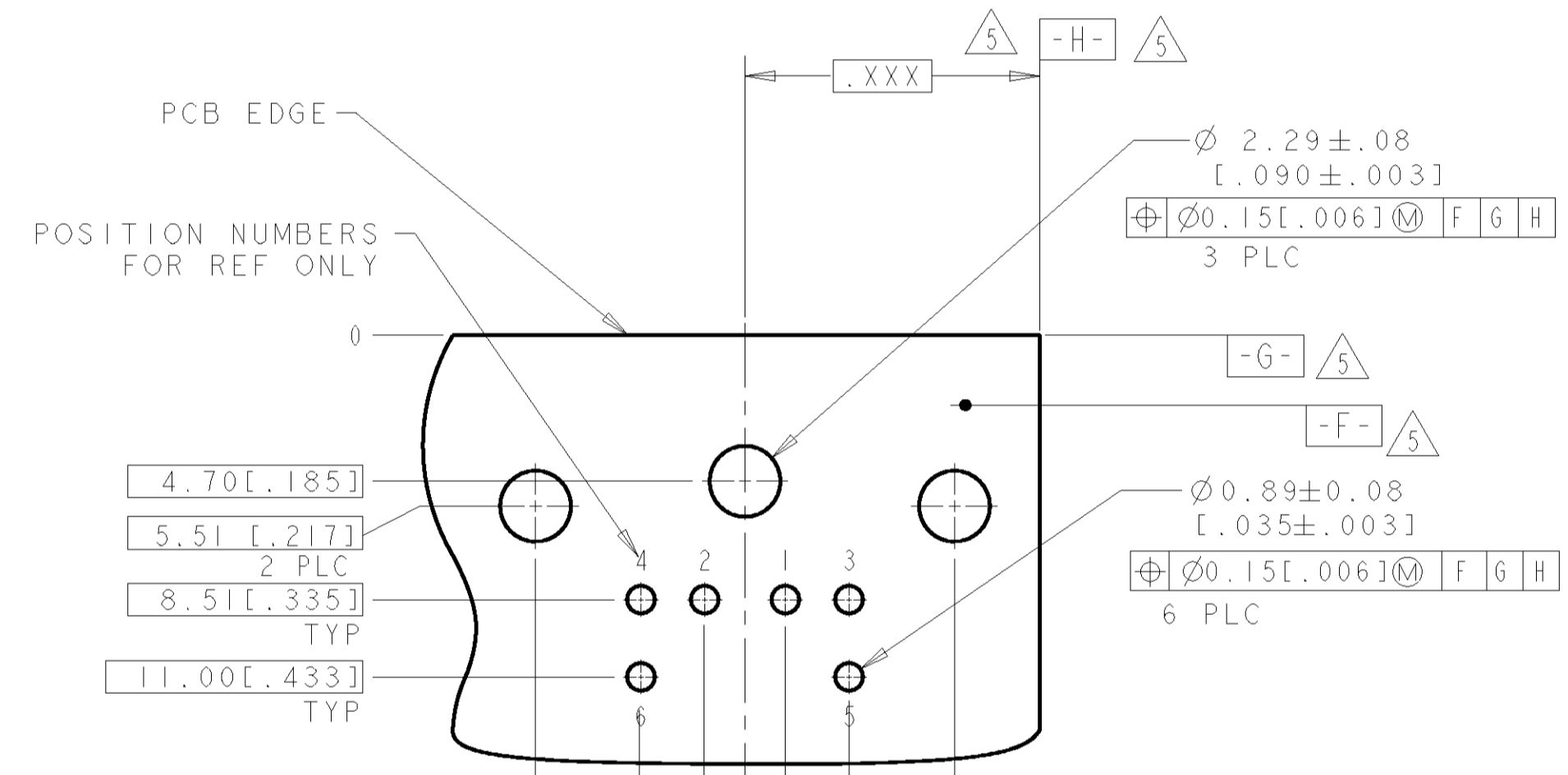
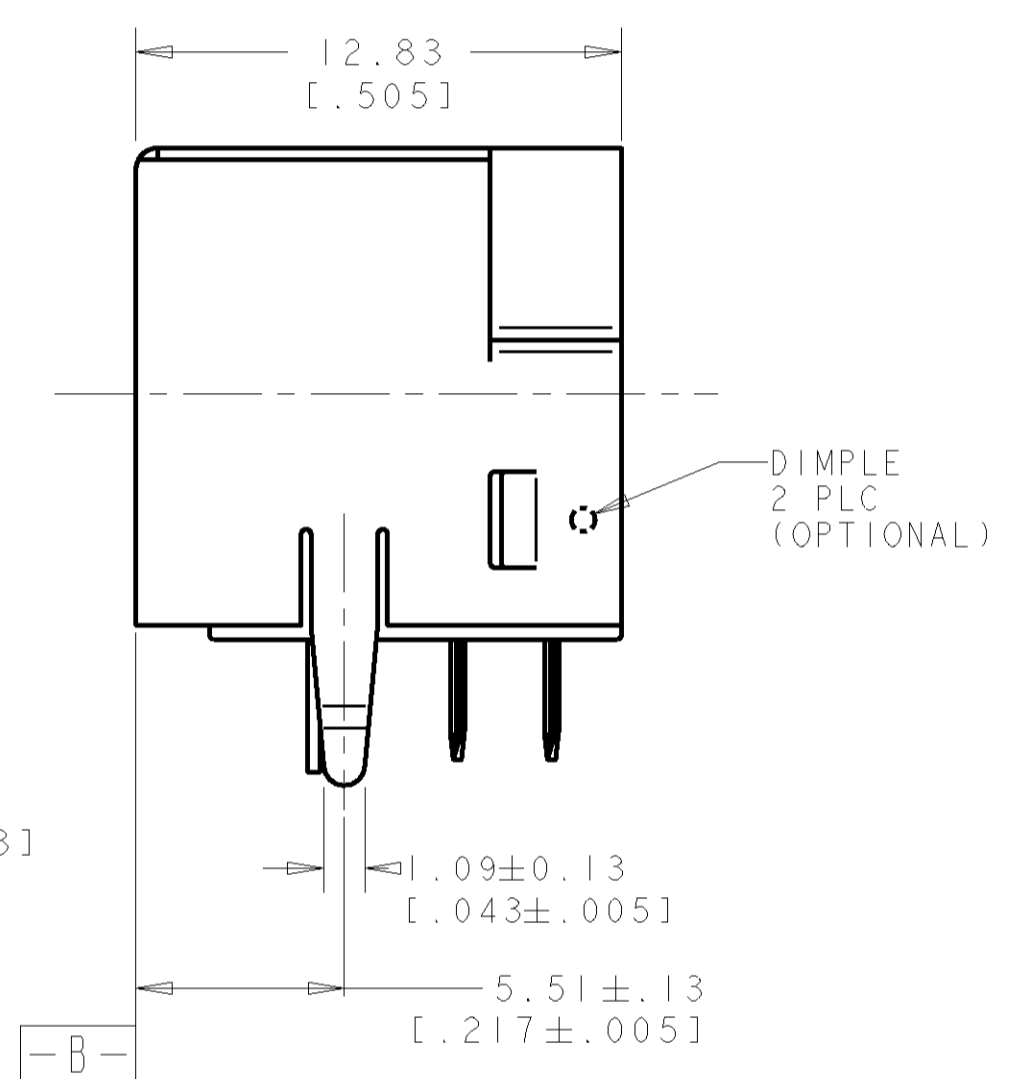
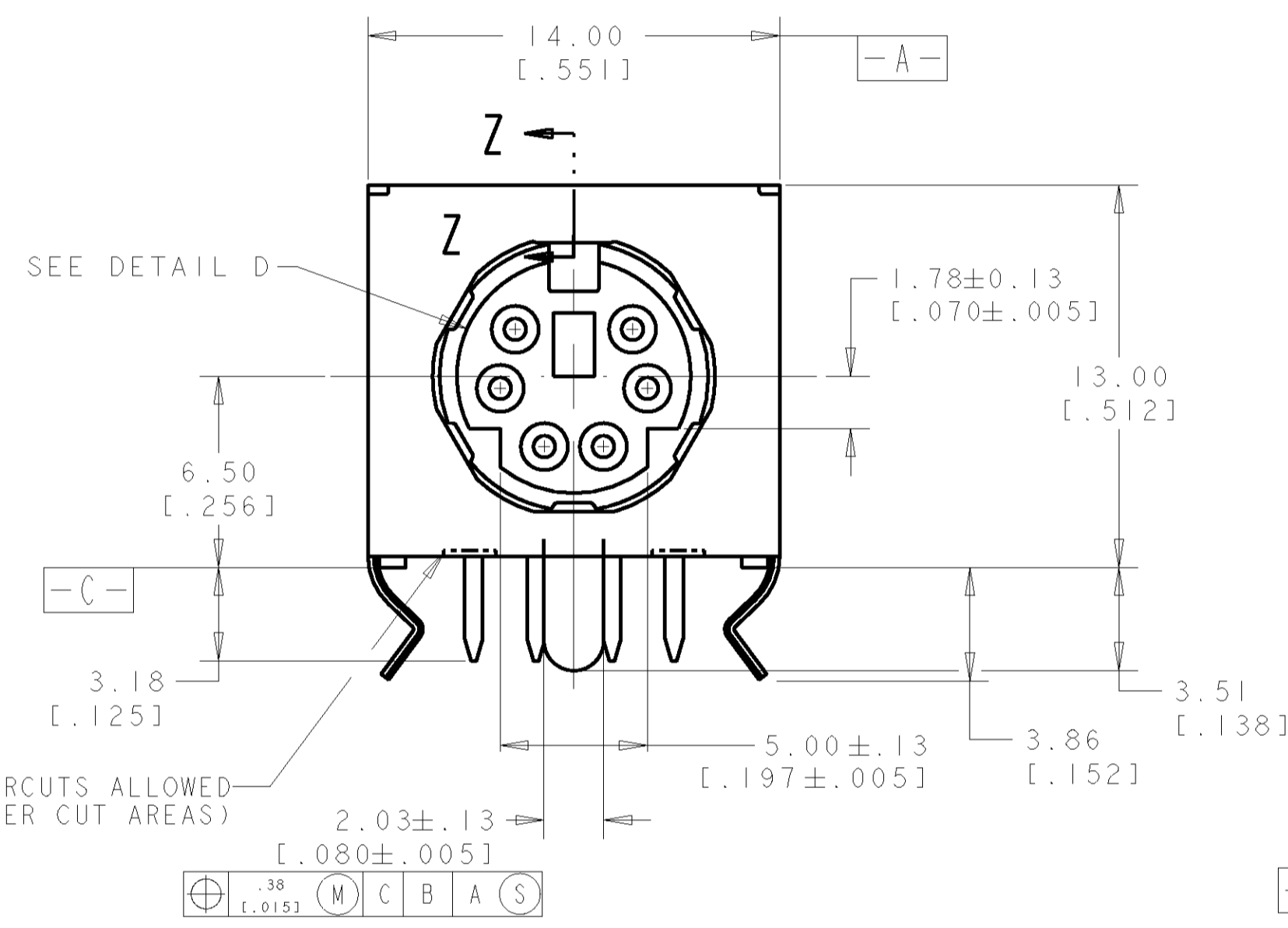


LOC	DIST	REV	DESCRIPTION	DATE	DNM	APRD
01	01	A1	REVISED PER ECO-11-005139	19MAR11	RK	HMR



- △ RECEPTACLE CONTACTS: COPPER ALLOY.
RECEPTACLE SHIELD: COPPER ALLOY.
HOUSING: THERMOPLASTIC, BLACK, UL 94V-0 RATED.
- △ PLATING:
RECEPTACLE CONTACTS - GOLD PLATED .00076 MIN [0.00030 MIN] THICK
ON MATING END, MATTE-TIN PLATED .0030 MIN [0.000120 MIN] THICK
ON SOLDER TAIL ALL OVER .0013 MIN [0.000050 MIN] THICK NICKEL.
- △ PLATING:
SHIELD: PRE-TIN PLATED
- 4. RECEPTACLE ASSEMBLY MATES WITH 6 PIN 9.00±.10 [0.354±.004]
DIAMETER PLUG.
- △ DATUMS AND BASIC DIMENSION SUPPLIED BY CUSTOMER.



ALL	5749180-1
POSITIONS LOADED	PART NO

DIMENSIONS: mm [INCHES]		TOLERANCES UNLESS OTHERWISE SPECIFIED:		DWN WYLLIE 28DEC2004	
0 PLC	±	0 PLC	±	ENR SF LEONG	STE TE Connectivity
1 PLC	±	1 PLC	±	APRD SF LEONG	
2 PLC	±	2 PLC	±	NAME	RECEPTACLE ASSY W/ HOLD DOWN, 6 POS RIGHT ANGLE, MINIATURE CIRCULAR DIN
3 PLC	±	3 PLC	±	PRODUCT SPEC	
4 PLC	±	4 PLC	±	APPLICATION SPEC	108-1225
5 PLC	±	5 PLC	±	SIZE	A1
6 PLC	±	6 PLC	±	CAGE CODE	00779
ANGLES	±	ANGLES	±	DRAWING NO	5749180
±	±	±	±	WEIGHT	-
±	±	±	±	CUSTOMER DRAWING	-
SCALE 5:1		SHEET 1 OF 1		REV A1	

Mouser Electronics

Authorized Distributor

Click to View Pricing, Inventory, Delivery & Lifecycle Information:

[TE Connectivity:](#)

[5749180-1](#)