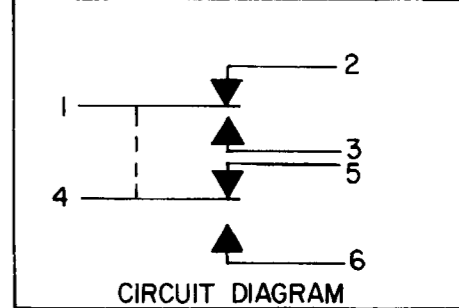


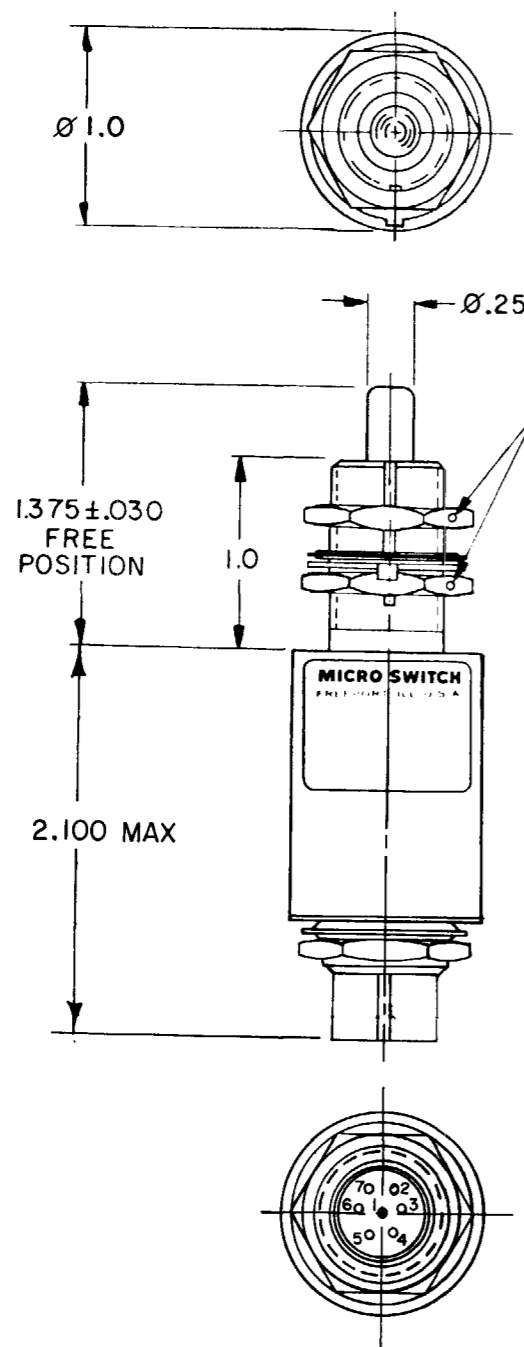
MICRO SWITCH
 FREEPORT ILLINOIS U.S.A.
 A DIVISION OF HONEYWELL
 FED. MFG. CODE 91929

SWITCH - ENCLOSED

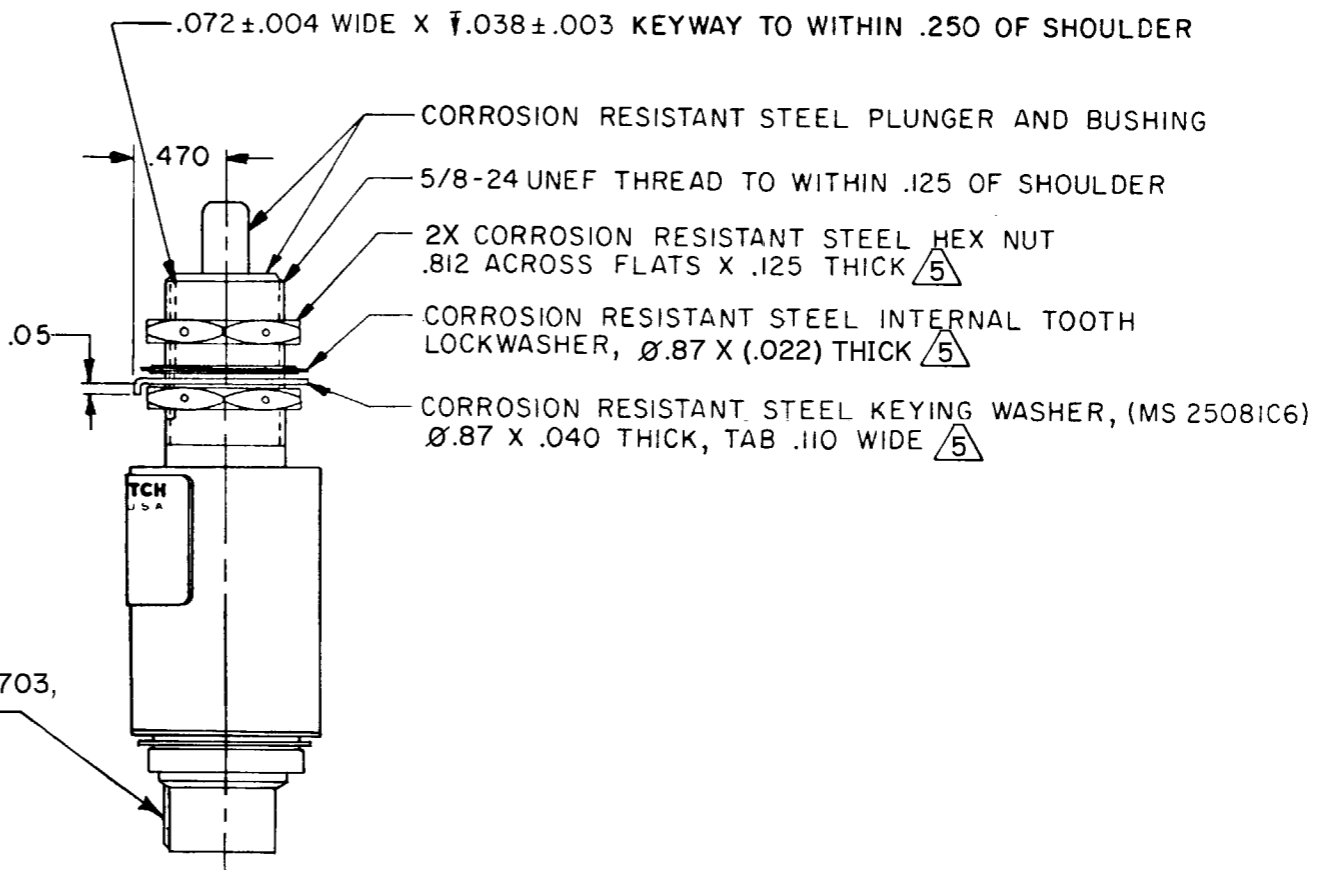
CATALOG LISTING
1EN356-RB



CATALOG LISTING
 1EN356-RB
 PAGE 1 OF 1
 RELEASE NO. PR-7311
 REPLACES
 ISSUE 6
 CHECK
 REVISIONS
 A C044351
 WJM 20 JUN 79
 B C047573
 J A P 5 AUG 80
 C C080689
 J A S 25 JUN 98
 D CO-93970
 S A V 14 JAN 99
 E 200913
 DLT 04 AUG 00
 CHECK
 27 JUNE 79
 SLK
 CHECK
 20 JUN 79
 DRAWN
 WJM
 FORMTEK



CONNECTOR MATES WITH MIL-C-81703,
 MS3137E7-50S OR EQUIVALENT



- NOTES**
- 1 - CORROSION RESISTANT STEEL ENCLOSURE
 - 2 - SWITCH SEALED PER MIL-PRF-8805 SYMBOL 4
 - 3 - CIRCUIT DIAGRAM, DATE CODE, FED. MFG. CODE AND CATALOG LISTING ARE SHOWN ON NAMEPLATE
 - 4 - COINCIDENCE OF OPERATING AND RELEASING POINTS: .010 OF PLUNGER TRAVEL
 - 5 - HARDWARE MAY BE PACKAGED UNASSEMBLED PER MIL-PRF-8805

THIS DRAWING COVERS A PROPRIETARY ITEM AND IS THE PROPERTY OF MICRO SWITCH, A DIVISION OF HONEYWELL. THIS DRAWING IS NOT TO BE COPIED OR USED WITHOUT THE APPROVAL OF MICRO SWITCH.		THIRD ANGLE PROJECTION	SCALE FULL
CHARACTERISTICS		ELECTRICAL DATA	DO NOT SCALE PRINT
OPERATING FORCE ----- 6-12 LB		CONTACT ARRANGEMENT	TOLERANCES
FULL OVERTRAVEL FORCE ----- 30 LB MAX		2X S P D T	APPLY TO DESIGN UNITS. CONVERSIONS ARE ONLY FOR REFERENCE. UNLESS NOTED, TOLERANCES ARE:
RELEASE FORCE ----- 4 LB MIN		LOAD	DIM. TOL.
PRETRAVEL ----- .040 MAX		28 VDC	mm .04
DIFFERENTIAL TRAVEL ----- .020 MAX		RES	in 1/64
OVERTRAVEL ----- .250 MIN		SEA LEVEL	mm/in
		50,000 FT.	NO PLACES X
			ONE PLACE X,X
			TWO PLACES X,XX
			THREE PLACES X,XXX
			ALL DIMENSIONS ARE TO BE MET BEFORE PROTECTIVE COATINGS ARE APPLIED
			DESIGN UNITS <input type="checkbox"/> METRIC <input checked="" type="checkbox"/> US CUSTOMARY
			WEIGHT 5.0 OZ MAX

ANSI Y14.5M-1982 APPLIES

Mouser Electronics

Authorized Distributor

Click to View Pricing, Inventory, Delivery & Lifecycle Information:

[Honeywell:](#)

[1EN356-RB](#)