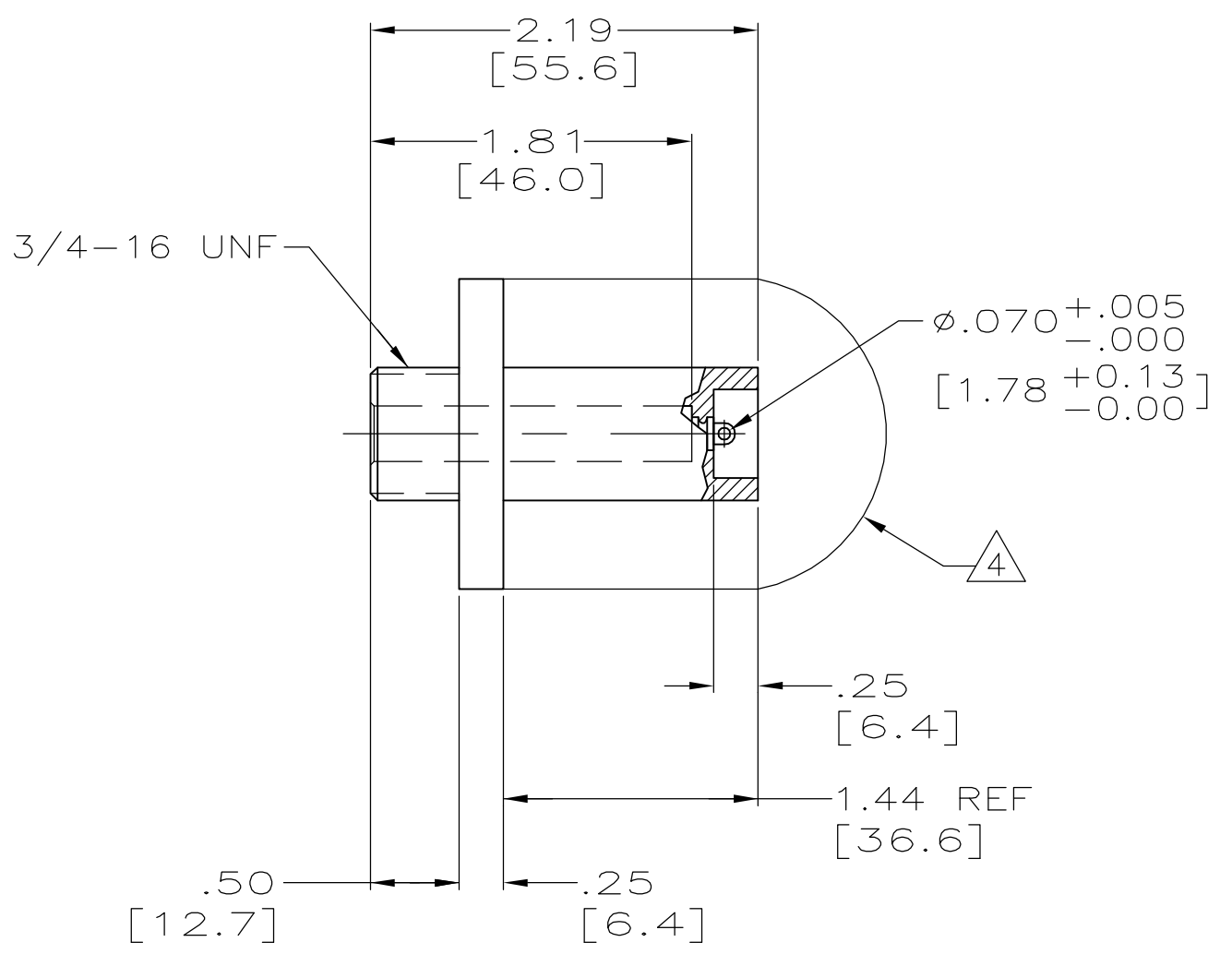
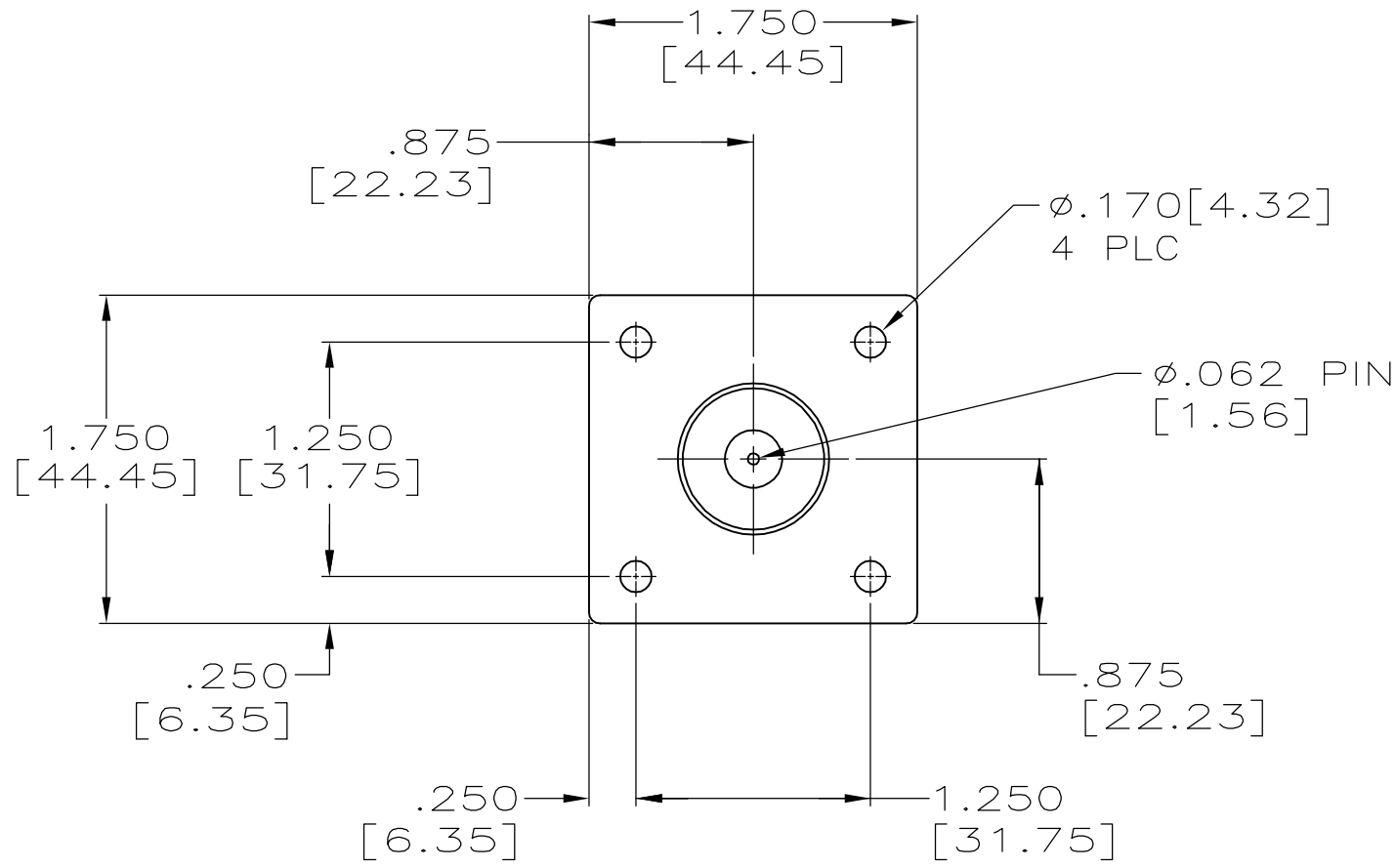


THIS DRAWING IS UNPUBLISHED. RELEASED FOR PUBLICATION - ,N/A .  
 © COPYRIGHT N/A BY TYCO ELECTRONICS CORPORATION. ALL RIGHTS RESERVED.

LOC	DIST	REVISIONS					
		P	LTR	DESCRIPTION	DATE	DWN	APVD
DF	S0		J	REV PER 0H14-0191-05	05-05	AA	DE



- ① PLATED 93/7 TIN-LEAD .0001[0.0025] MIN THK OR TIN PER ASTM-B-545 .0001[0.0025] MIN THK.
- ② GOLD PLATED .000030[0.00076] MIN THK PER ASTM-B-488, TYPE II.
- 3. RECEPTACLE TO MATE WITH AMP LGH-3 LEAD ASSEMBLY.
- ④ CUSTOMER TO PROTECT BACK END AGAINST ARC OVER & BREAKDOWN.
- ⑤ PLATED TIN PER ASTM-B-545, TYPE I OR II, .0001[0.0025] MIN THK.

	⑤	5-850911-1
OBSOLETE	②	850911-2
	①	850911-1
PIN PLATING		PART NUMBER

THIS DRAWING IS A CONTROLLED DOCUMENT.		DWN C.C.THOMAS 20-OCT-98	Tyco Electronics Corporation Harrisburg, Pa 17105-3608	
DIMENSIONS: INCHES		CHK D. EABY 20-OCT-98		
TOLERANCES UNLESS OTHERWISE SPECIFIED:		APVD D. EABY 20-OCT-98	NAME	
0 PLC ± - 1 PLC ± - 2 PLC ± .02[0.5] 3 PLC ± .005[0.13] 4 PLC ± - ANGLES ± -		PRODUCT SPEC -	BULKHEAD RECEPTACLE ASSEMBLY LGH-3	
MATERIAL MOLDED GLASS EPOXY COLOR: BLACK		FINISH -	APPLICATION SPEC -	RESTRICTED TO -
		WEIGHT -	SIZE A3	CAGE CODE 00779
		CUSTOMER DRAWING	DRAWING NO C-850911	RESTRICTED TO -
			SCALE 1:1	SHEET 1 OF 1
				REV J

# Mouser Electronics

Authorized Distributor

Click to View Pricing, Inventory, Delivery & Lifecycle Information:

[TE Connectivity:](#)

[850911-1](#)