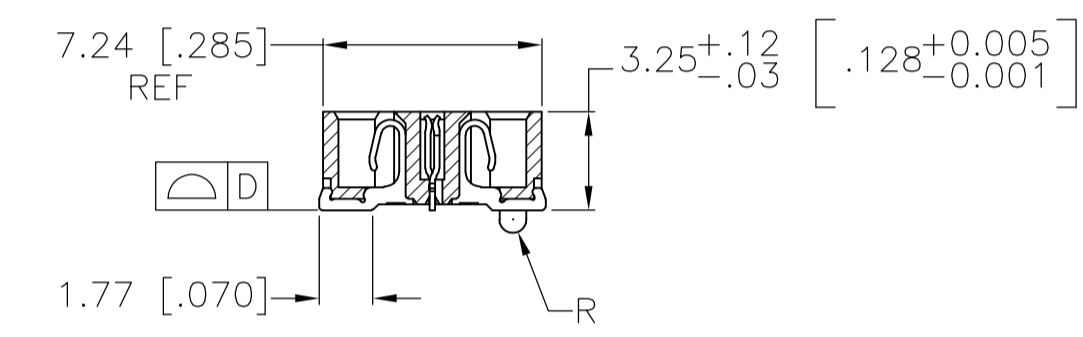
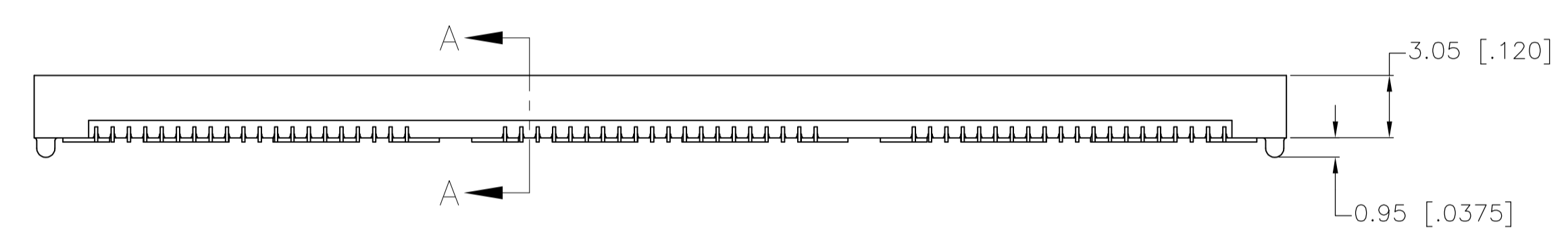
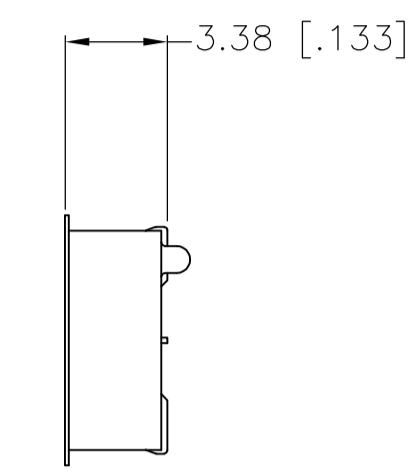
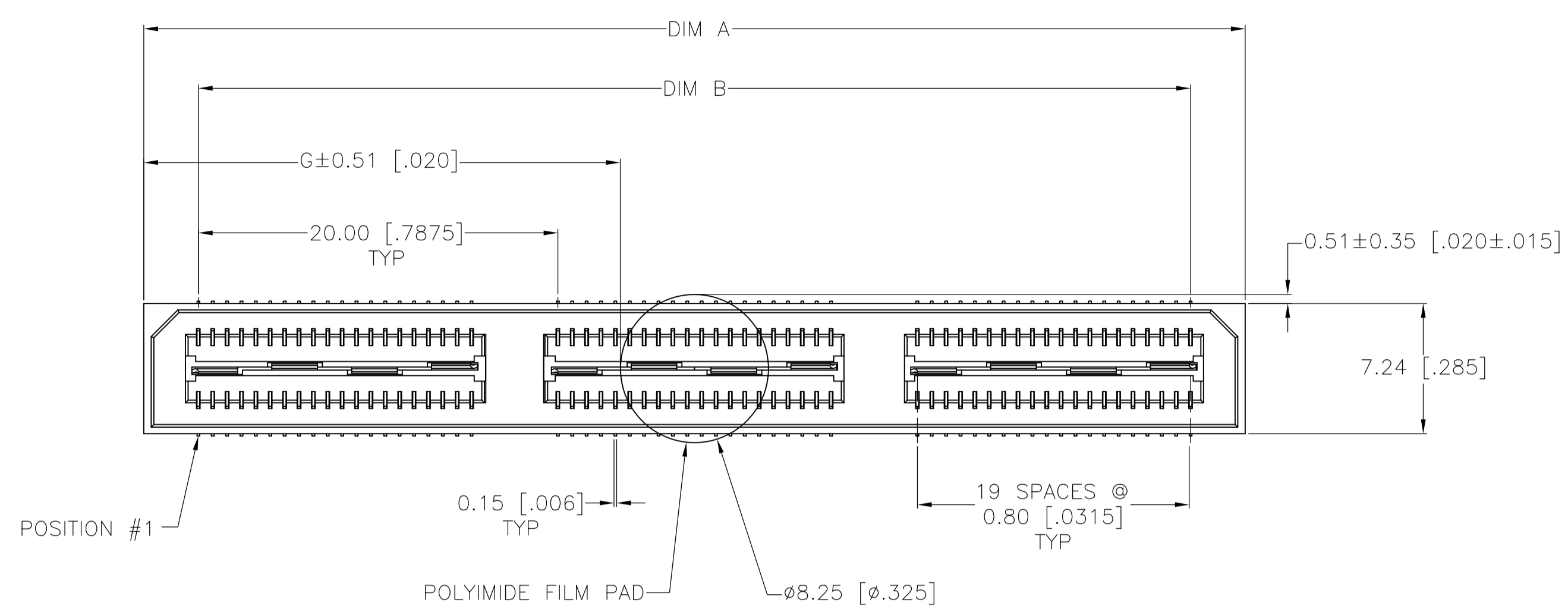
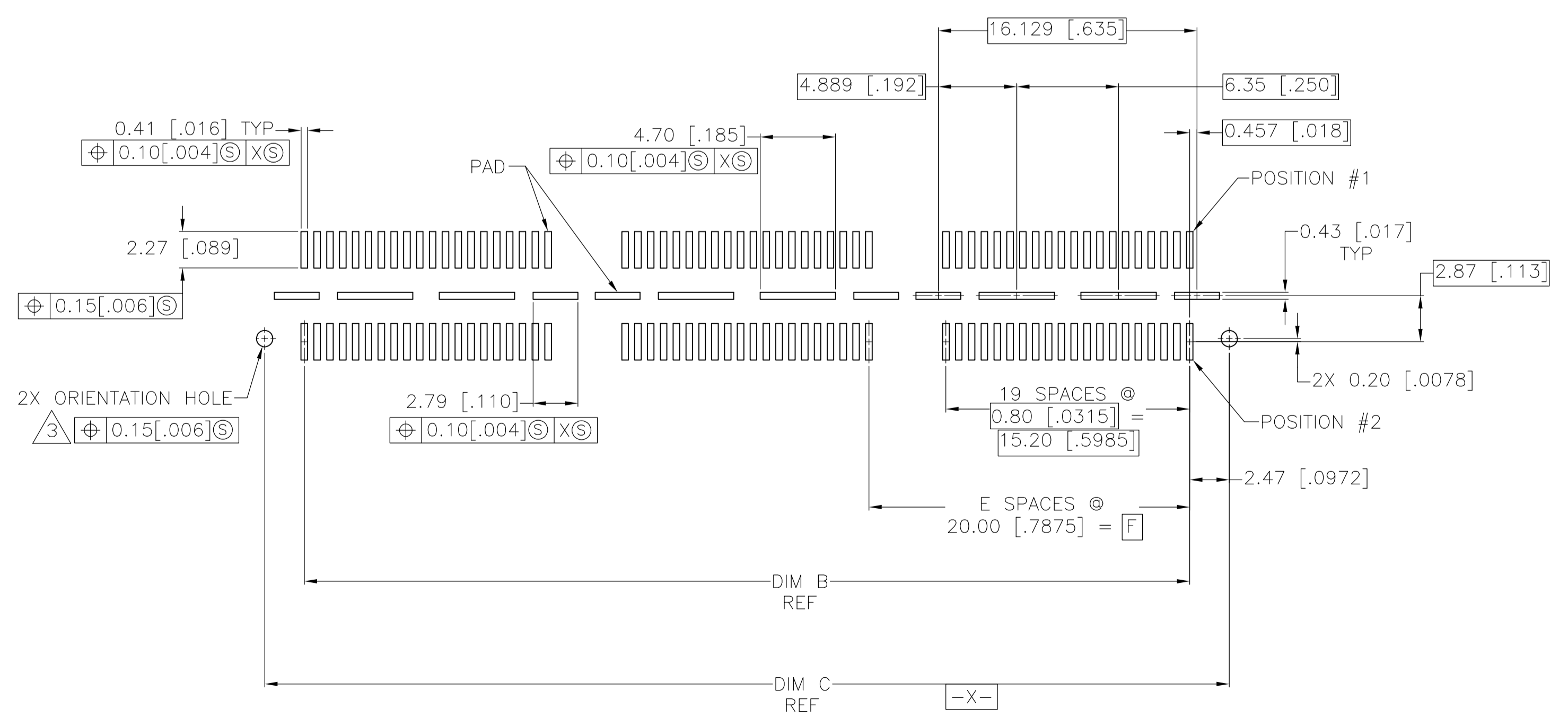
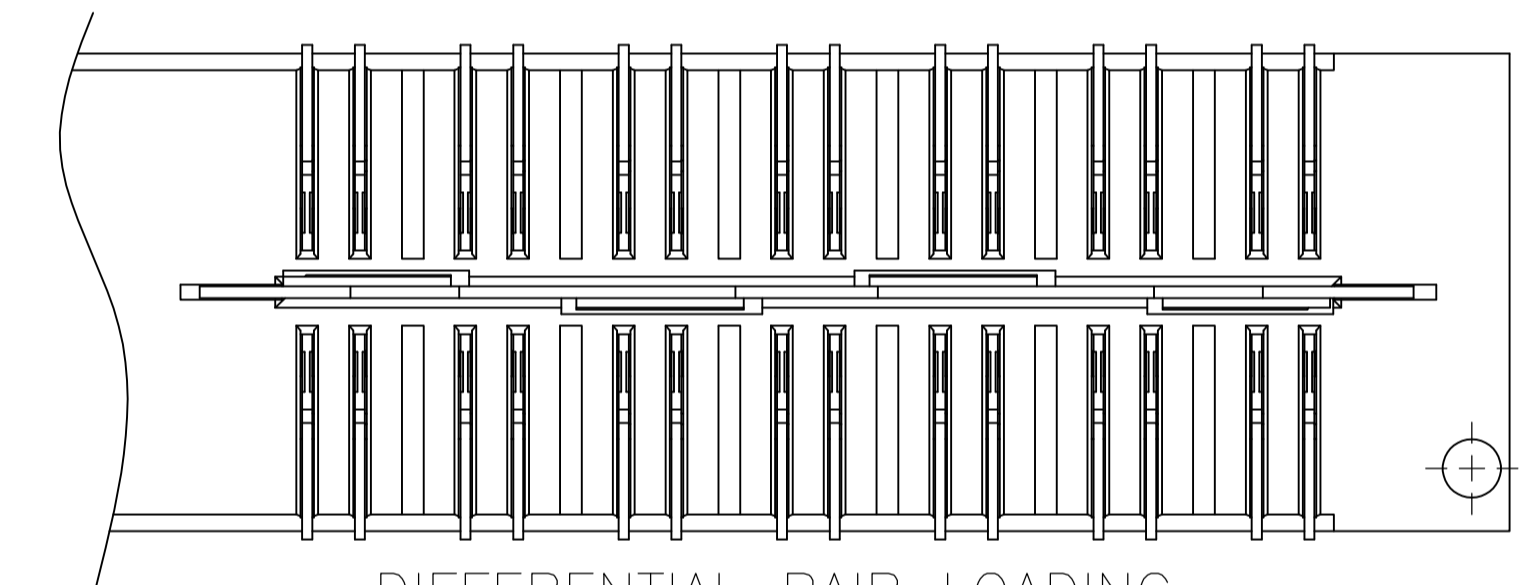
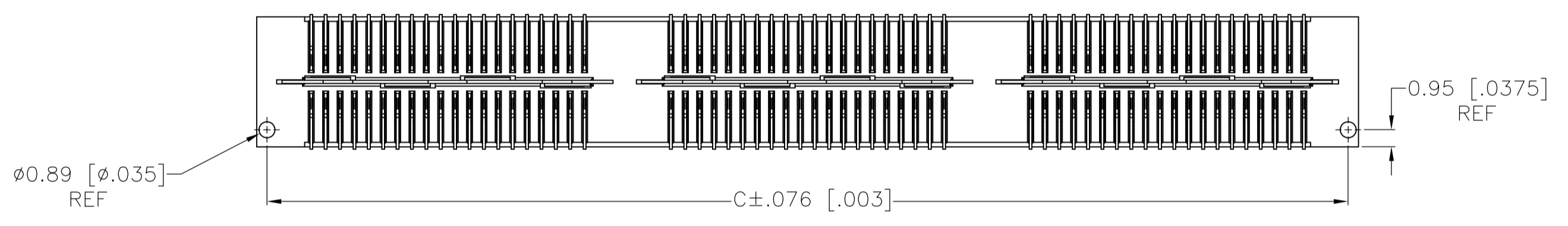


- 1 HOUSING: LCP, BLACK.
CONTACT & GROUND PLANE: PHOS BRONZE.
- 2 CONTACT PLATING: SELECT 0.25 MICROMETERS (.00010 IN) MIN. GOLD.
- 3 FOR STANDARD APPLICATIONS, ORIENTATION HOLE TO BE $\phi 1.02 [\phi 0.400]$.
- 4 OBSOLETE PARTS: OBSOLETE CIS STREAMLINING PER D.RENAUD/D.SINISI



SECTION A-A



REV	DATE	DESCRIPTION	BY	APP'D	REV	DATE	DESCRIPTION	BY	APP'D	REV	DATE	DESCRIPTION	BY	APP'D
1					84	7-1658012-3	POCKET TAPE	YES	YES	56	7-1658012-2	POCKET TAPE	YES	YES
2					28	7-1658012-1	POCKET TAPE	YES	YES	120	6-1658012-3	POCKET TAPE	NO	NO
3					80	6-1658012-2	POCKET TAPE	NO	NO	40	6-1658012-1	POCKET TAPE	NO	NO
4					84	5-1658012-3	POCKET TAPE	YES	YES	56	5-1658012-2	POCKET TAPE	YES	YES
5					28	5-1658012-1	POCKET TAPE	NO	NO	120	4-1658012-3	POCKET TAPE	NO	NO
6					80	4-1658012-2	POCKET TAPE	NO	NO	40	4-1658012-1	POCKET TAPE	NO	NO
7					140	3-1658012-5	TRAY	YES	YES	112	3-1658012-4	TRAY	YES	YES
8					84	3-1658012-3	TRAY	YES	YES	56	3-1658012-2	TRAY	YES	YES
9					28	3-1658012-1	TRAY	YES	YES	200	2-1658012-5	TRAY	NO	NO
10					160	2-1658012-4	TRAY	NO	NO	120	2-1658012-3	TRAY	NO	NO
11					80	2-1658012-2	TRAY	NO	NO	40	2-1658012-1	TRAY	NO	NO
12					140	1-1658012-5	TRAY	YES	YES	112	1-1658012-4	TRAY	YES	YES
13					84	1-1658012-3	TRAY	YES	YES	56	1-1658012-2	TRAY	YES	YES
14					28	1-1658012-1	TRAY	YES	YES	200	1-1658012-5	TRAY	NO	NO
15					160	1-1658012-4	TRAY	NO	NO	120	1-1658012-3	TRAY	NO	NO
16					80	1-1658012-2	TRAY	NO	NO	40	1-1658012-1	TRAY	NO	NO
17					40	1-1658012-1	TRAY	NO	NO					

RECOMMENDED PC BOARD LAYOUT VIEWED FROM CONNECTOR SIDE

THIS DRAWING IS A CONTROLLED DOCUMENT.

DIMENSIONS: mm [INCHES]	TOLERANCES UNLESS OTHERWISE SPECIFIED:	DIN 9137 MCMMASTER 180CT04	APPROVED BY: D. DIXON 180CT04	NAME: RECEPTACLE ASSEMBLY, VERTICAL 0.80MM CL.
1 PLC ± .01	2 PLC ± 0.01	3 PLC ± 0.05 [0.002]	4 PLC ± .01	ANGLES ± .5°
MATERIAL: $\Delta 1$	FINISH: $\Delta 2$	WEIGHT: —	SCALE: 4:1	SHEET 1 OF 1

CUSTOMER DRAWING

Mouser Electronics

Authorized Distributor

Click to View Pricing, Inventory, Delivery & Lifecycle Information:

[TE Connectivity:](#)

[2-1658012-2](#)