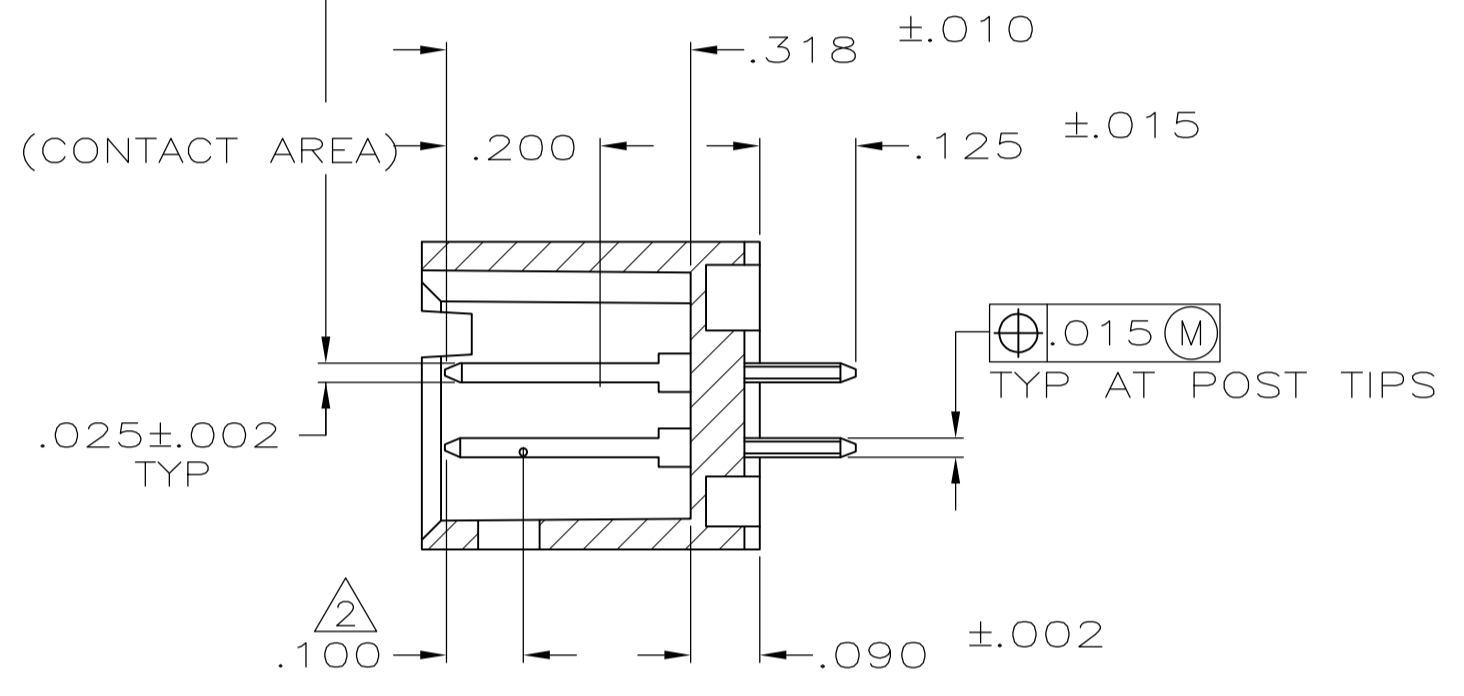
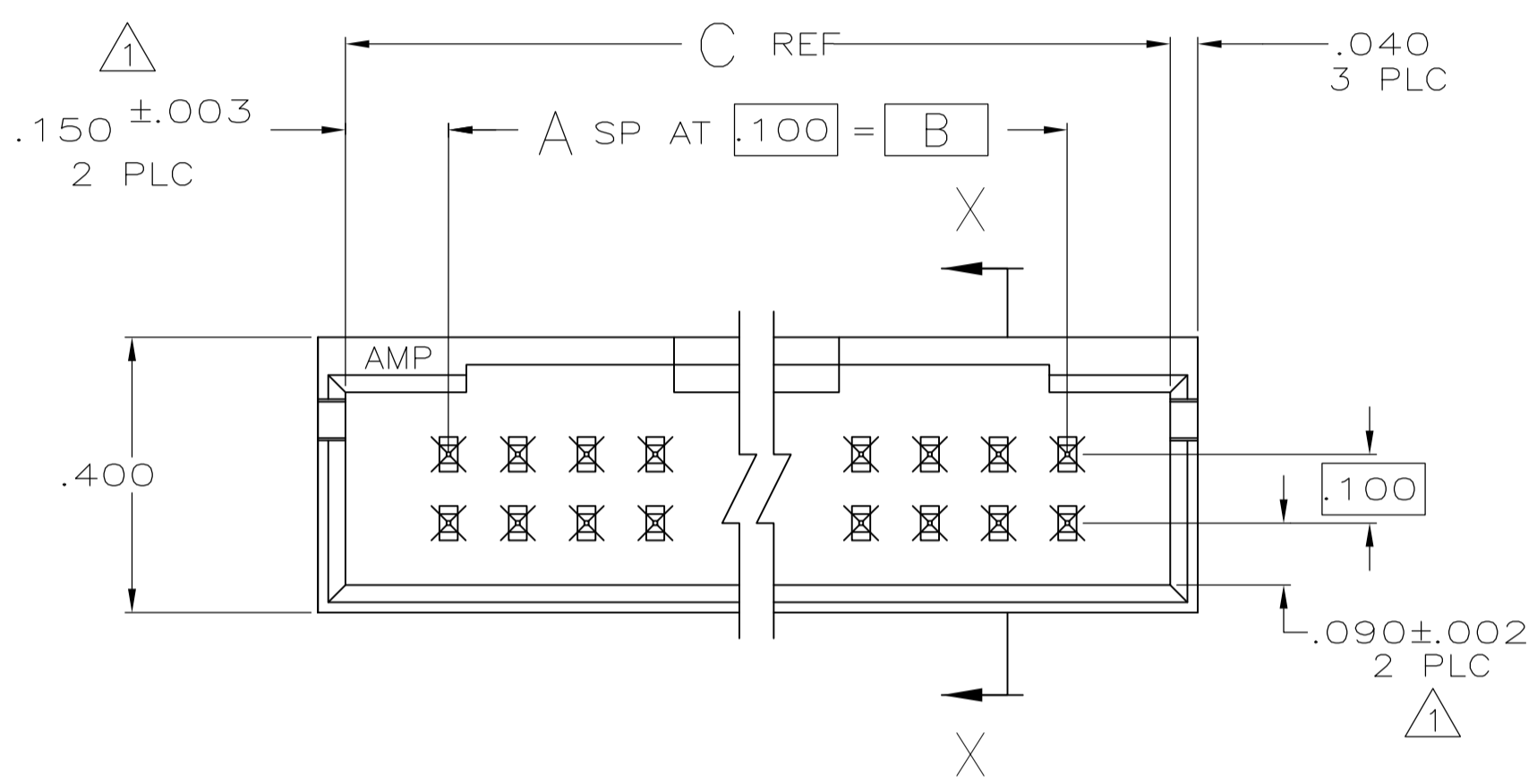
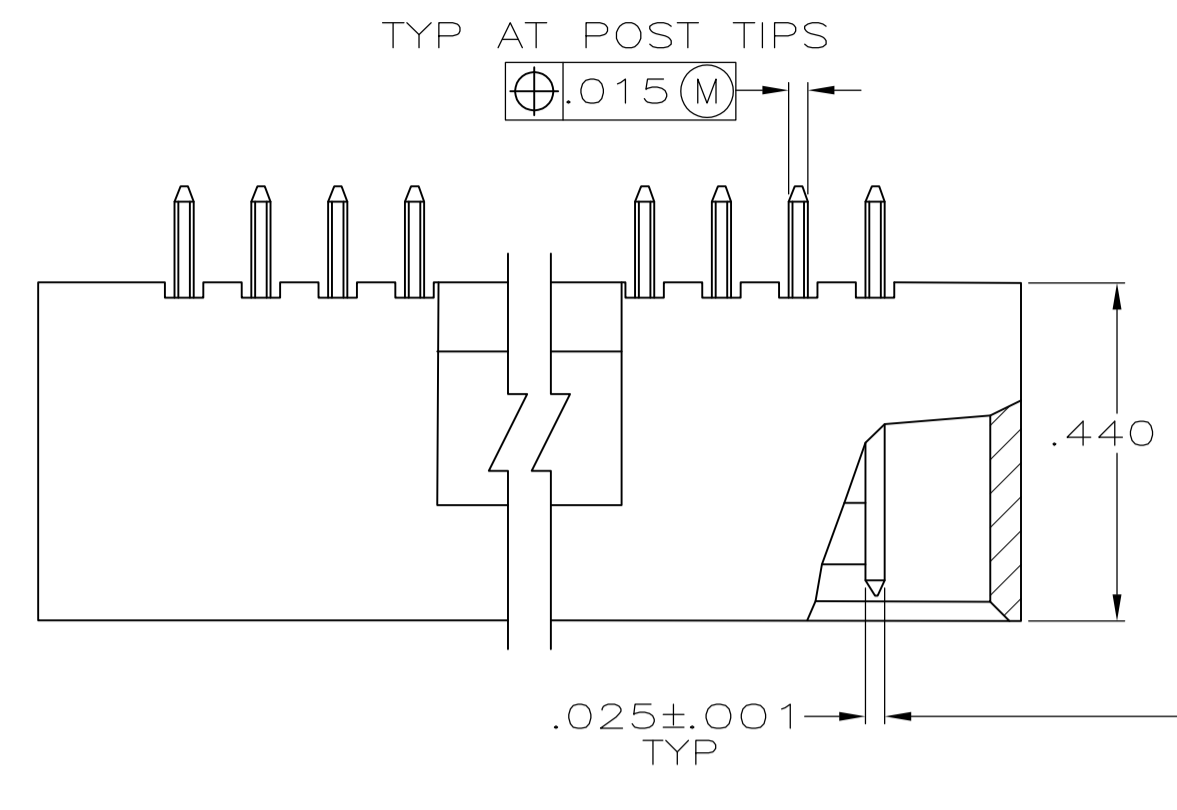
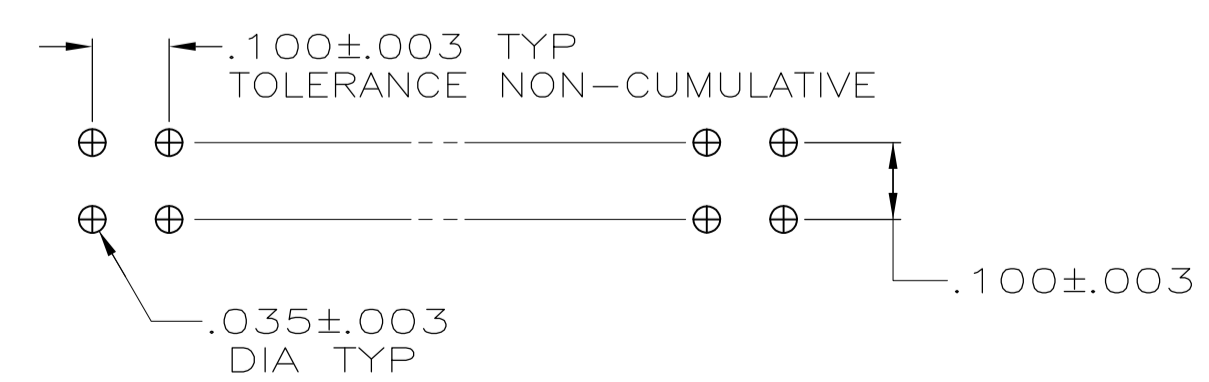
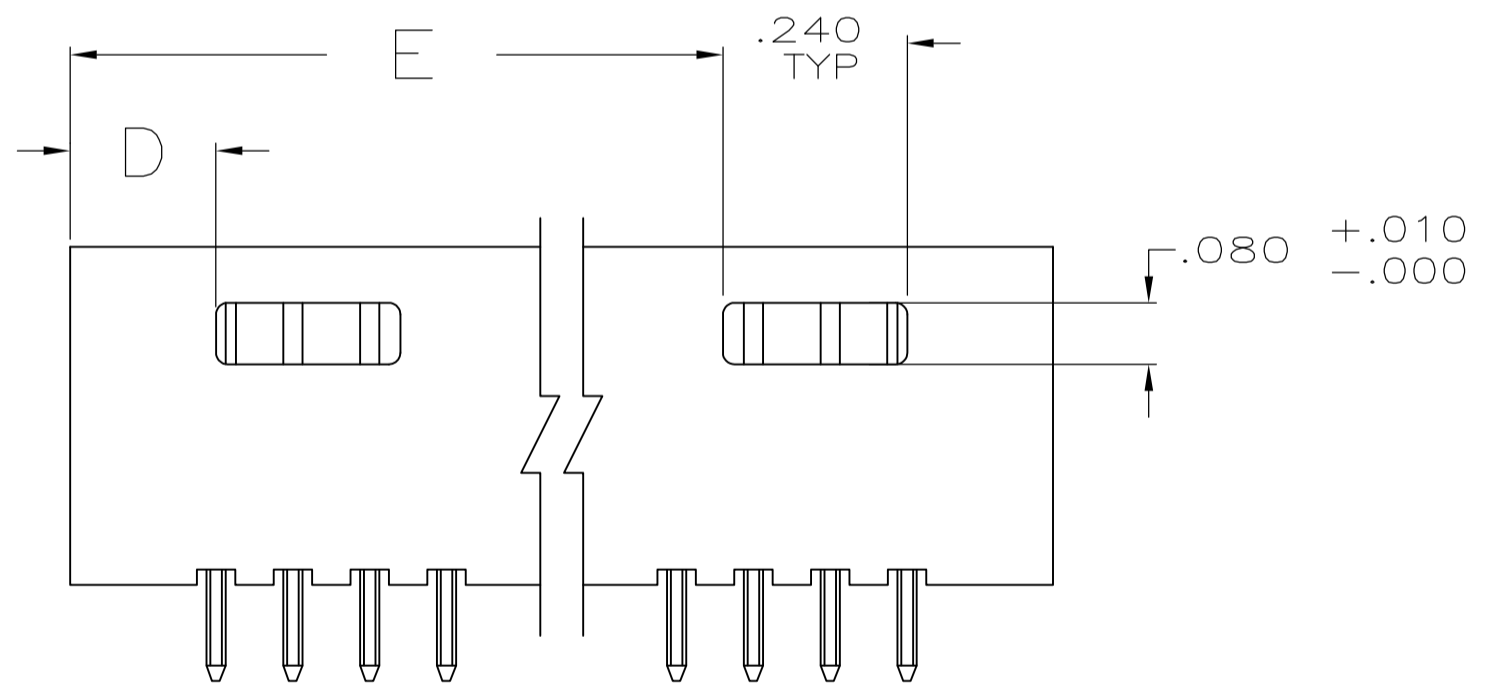


| LOC | | DIST | | REVISIONS | | | |
|-----|----|------|-------------|---------------|---------|----|------|
| AD | 00 | F | LTR | DESCRIPTION | DATE | DN | APVD |
| | | K2 | REVISED PER | ECO-11-004587 | 11MAR11 | RK | HMR |

- 1 THE NOTED DIMENSIONS APPLY AT THE INTERSECTION OF THE POST AND HOUSING
- 2 POINT OF MEASUREMENT FOR PLATING THICKNESS
- 3 MATERIAL: HOUSING- FLAME RETARDANT THERMOPLASTIC, COLOR- BLACK
POSTS- PHOS BRONZE
- 4 FINISH: POSTS- .000015 GOLD IN CONTACT AREA,
.000100-.000200 MATTE TIN-LEAD ON SOLDER TAIL,
ALL OVER .000050 NICKEL
- 5 FINISH: POSTS- .000015 GOLD IN CONTACT AREA,
.000100-.000200 MATTE TIN-LEAD ON SOLDER TAIL,
ALL OVER .000050 NICKEL
- 6 OBSOLETE PARTS: OBSOLETE CIS STREAMLINING PER D.RENAUD/D.SINISI



SECTION X-X



RECOMMENDED HOLE LAYOUT

| FINISH | E | D | C | B | A | NO OF POSN | ASSEMBLY PART NUMBER |
|----------|-------|------|-------|-------|----|------------|----------------------|
| | | | | | | | |
| OBSOLETE | 3.490 | .190 | 3.800 | 3.500 | 35 | 72 | 8-102619-4 |
| | 3.390 | .190 | 3.700 | 3.400 | 34 | 70 | 8-102619-3 |
| | 3.290 | .190 | 3.600 | 3.300 | 33 | 68 | 8-102619-2 |
| | 3.190 | .190 | 3.500 | 3.200 | 32 | 66 | 8-102619-1 |
| | 3.090 | .190 | 3.400 | 3.100 | 31 | 64 | 8-102619-0 |
| | 2.990 | .190 | 3.300 | 3.000 | 30 | 62 | 7-102619-9 |
| | 2.890 | .190 | 3.200 | 2.900 | 29 | 60 | 7-102619-8 |
| | 2.790 | .190 | 3.100 | 2.800 | 28 | 58 | 7-102619-7 |
| | 2.690 | .190 | 3.000 | 2.700 | 27 | 56 | 7-102619-6 |
| | 2.590 | .190 | 2.900 | 2.600 | 26 | 54 | 7-102619-5 |
| OBSOLETE | 2.490 | .190 | 2.800 | 2.500 | 25 | 52 | 7-102619-4 |
| | 2.390 | .190 | 2.700 | 2.400 | 24 | 50 | 7-102619-3 |
| | 2.290 | .190 | 2.600 | 2.300 | 23 | 48 | 7-102619-2 |
| | 2.190 | .190 | 2.500 | 2.200 | 22 | 46 | 7-102619-1 |
| | 2.090 | .190 | 2.400 | 2.100 | 21 | 44 | 7-102619-0 |
| | 1.990 | .190 | 2.300 | 2.000 | 20 | 42 | 6-102619-9 |
| | 1.890 | .190 | 2.200 | 1.900 | 19 | 40 | 6-102619-8 |
| | 1.790 | .190 | 2.100 | 1.800 | 18 | 38 | 6-102619-7 |
| | 1.690 | .190 | 2.000 | 1.700 | 17 | 36 | 6-102619-6 |
| | 1.590 | .190 | 1.900 | 1.600 | 16 | 34 | 6-102619-5 |
| OBSOLETE | 1.490 | .190 | 1.800 | 1.500 | 15 | 32 | 6-102619-4 |
| | 1.390 | .190 | 1.700 | 1.400 | 14 | 30 | 6-102619-3 |
| | 1.290 | .190 | 1.600 | 1.300 | 13 | 28 | 6-102619-2 |
| | 1.190 | .190 | 1.500 | 1.200 | 12 | 26 | 6-102619-1 |
| | 1.090 | .190 | 1.400 | 1.100 | 11 | 24 | 6-102619-0 |
| | .990 | .190 | 1.300 | 1.000 | 10 | 22 | 5-102619-9 |
| | .890 | .190 | 1.200 | .900 | 9 | 20 | 5-102619-8 |
| | .790 | .190 | 1.100 | .800 | 8 | 18 | 5-102619-7 |
| | .690 | .190 | 1.000 | .700 | 7 | 16 | 5-102619-6 |
| | .590 | .190 | .900 | .600 | 6 | 14 | 5-102619-5 |
| OBSOLETE | .490 | .190 | .800 | .500 | 5 | 12 | 5-102619-4 |
| | .390 | .190 | .700 | .400 | 4 | 10 | 5-102619-3 |
| | .290 | .190 | .600 | .300 | 3 | 8 | 5-102619-2 |
| | .190 | .190 | .500 | .200 | 2 | 6 | 5-102619-1 |
| | 3.490 | .190 | 3.800 | 3.500 | 35 | 72 | 3-102619-4 |
| | 3.390 | .190 | 3.700 | 3.400 | 34 | 70 | 3-102619-3 |
| | 3.290 | .190 | 3.600 | 3.300 | 33 | 68 | 3-102619-2 |
| | 3.190 | .190 | 3.500 | 3.200 | 32 | 66 | 3-102619-1 |
| | 3.090 | .190 | 3.400 | 3.100 | 31 | 64 | 3-102619-0 |
| | 2.990 | .190 | 3.300 | 3.000 | 30 | 62 | 2-102619-9 |
| OBSOLETE | 2.890 | .190 | 3.200 | 2.900 | 29 | 60 | 2-102619-8 |
| | 2.790 | .190 | 3.100 | 2.800 | 28 | 58 | 2-102619-7 |
| | 2.690 | .190 | 3.000 | 2.700 | 27 | 56 | 2-102619-6 |
| | 2.590 | .190 | 2.900 | 2.600 | 26 | 54 | 2-102619-5 |
| | 2.490 | .190 | 2.800 | 2.500 | 25 | 52 | 2-102619-4 |
| | 2.390 | .190 | 2.700 | 2.400 | 24 | 50 | 2-102619-3 |
| | 2.290 | .190 | 2.600 | 2.300 | 23 | 48 | 2-102619-2 |
| | 2.190 | .190 | 2.500 | 2.200 | 22 | 46 | 2-102619-1 |
| | 2.090 | .190 | 2.400 | 2.100 | 21 | 44 | 2-102619-0 |
| | 1.990 | .190 | 2.300 | 2.000 | 20 | 42 | 1-102619-9 |
| OBSOLETE | 1.890 | .190 | 2.200 | 1.900 | 19 | 40 | 1-102619-8 |
| | 1.790 | .190 | 2.100 | 1.800 | 18 | 38 | 1-102619-7 |
| | 1.690 | .190 | 2.000 | 1.700 | 17 | 36 | 1-102619-6 |
| | 1.590 | .190 | 1.900 | 1.600 | 16 | 34 | 1-102619-5 |
| | 1.490 | .190 | 1.800 | 1.500 | 15 | 32 | 1-102619-4 |
| | 1.390 | .190 | 1.700 | 1.400 | 14 | 30 | 1-102619-3 |
| | 1.290 | .190 | 1.600 | 1.300 | 13 | 28 | 1-102619-2 |
| | 1.190 | .190 | 1.500 | 1.200 | 12 | 26 | 1-102619-1 |
| | 1.090 | .190 | 1.400 | 1.100 | 11 | 24 | 1-102619-0 |
| | .990 | .190 | 1.300 | 1.000 | 10 | 22 | 102619-9 |
| OBSOLETE | .890 | .190 | 1.200 | .900 | 9 | 20 | 102619-8 |
| | .790 | .190 | 1.100 | .800 | 8 | 18 | 102619-7 |
| | .690 | .190 | 1.000 | .700 | 7 | 16 | 102619-6 |
| | .590 | .190 | .900 | .600 | 6 | 14 | 102619-5 |
| | .490 | .190 | .800 | .500 | 5 | 12 | 102619-4 |
| | .390 | .190 | .700 | .400 | 4 | 10 | 102619-3 |
| | .290 | .190 | .600 | .300 | 3 | 8 | 102619-2 |
| | .190 | .190 | .500 | .200 | 2 | 6 | 102619-1 |

6 SUPERCEDED BY 5-102619-7

THIS DRAWING IS A CONTROLLED DOCUMENT. DIN R BROWN 16AUG05. J. GEFSEFORD 16AUG05. NAME: HDR ASSY, MOD II, SHROUDED, 4 SIDES, DBL ROW, VERTICAL, .100X.100 CL, WITH .025 SQ. POSTS. PRODUCT SPEC. APPLICATION SPEC. SIZE: A1. CAGE CODE: 00779. DRAWING NO: 102619. WEIGHT: -. RESTRICTED TO: CUSTOMER DRAWING. SCALE: 4:1. SHEET: 1 OF 1. REV: K2.

Mouser Electronics

Authorized Distributor

Click to View Pricing, Inventory, Delivery & Lifecycle Information:

[TE Connectivity:](#)

[5-102619-3](#)