

THIS DRAWING IS UNPUBLISHED.
VERTRAULICHE UNVERÖFFENTLICHTE ZEICHNUNG

RELEASED FOR PUBLICATION
FREI FUER VERÖFFENTLICHUNG
OCT, 1999.
ALL RIGHTS RESERVED.
ALLE RECHTE VORBEHALTEN

LOC
IR

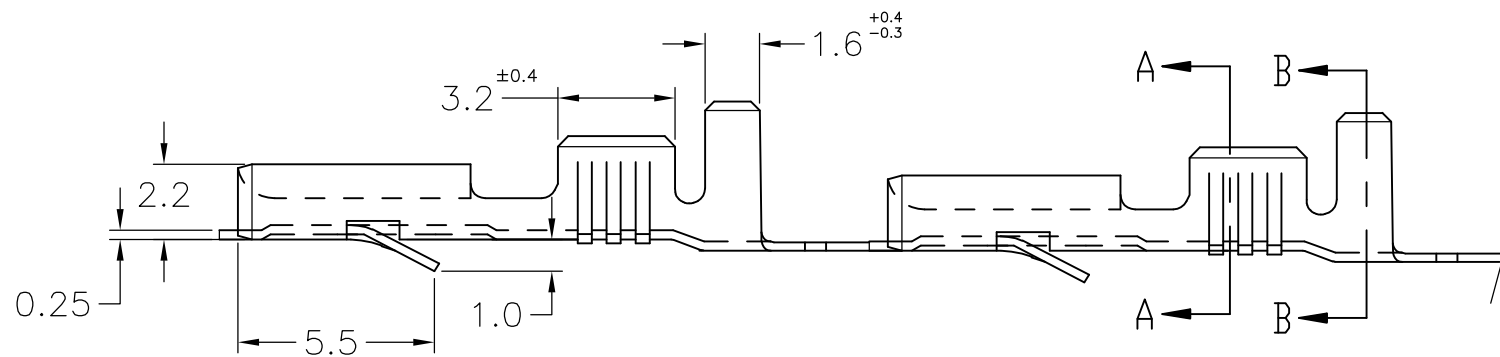
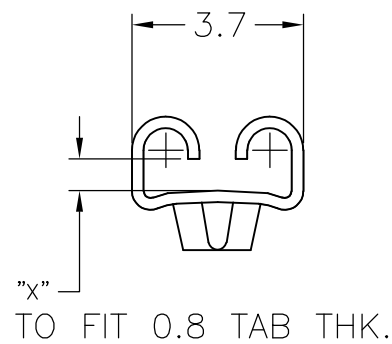
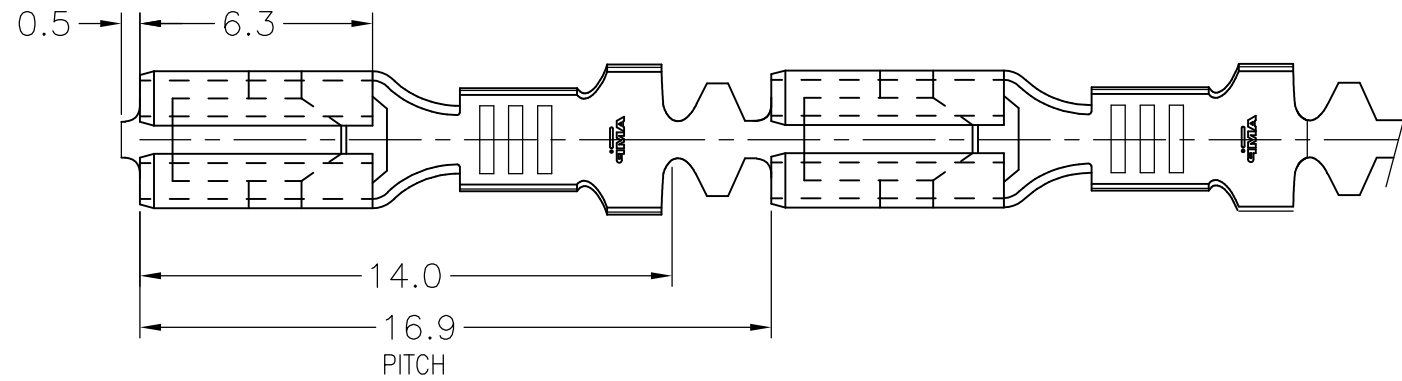
DIST
—

REVISIONS
ÄNDERUNGEN

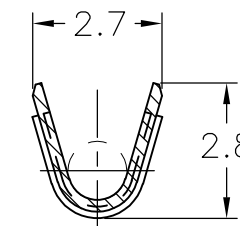
P LTR

AG2 GAP SIZE TOLERANCE CORRECTED

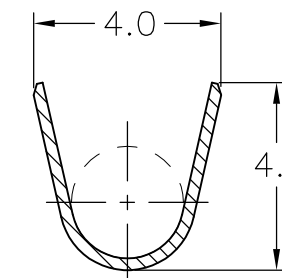
DATE 22JUL2011
DWN PKS
APVD RRP



SECTION A-A

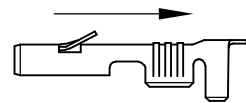


SECTION B-B



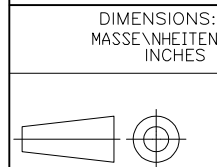
0.74±0.08	PRE-TINNED	BRASS	1-160655-1	AF
0.68±0.08	TIN PLATED	BRASS	160655-6	AF
	SILVER PLATED	BRASS	160655-5	AF
	PRE-TINNED	PH.BRONZE	160655-4	AF
	UNPLATED	PH.BRONZE	160655-3	AF
	PRE-TINNED	BRASS	160655-2	AF
	UNPLATED	BRASS	160655-1	AF
"X"	FINISH/COLOR	MATERIAL	PN	REV

SUPPLY CONDITION



DIRECTION OFF TOP OF REEL

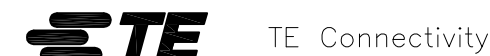
THIS DRAWING IS A CONTROLLED DOCUMENT.
DIESE ZEICHNUNG IST EIN KONTROLLIERTES DOKUMENT.



DIMENSIONS: MASSE/HEITEN: INCHES	TOLERANCES UNLESS OTHERWISE SPECIFIED: ALLGEMEINTOLERANZEN
0 PLC	± 0.3
1 PLC	± 0.3
2 PLC	± 0.3
3 PLC	± 0.3
4 PLC	± —
ANGLES/WINKEL	± 2°

MATERIAL SEE TABLE
FINISH/OBERFLAECHE/FARBE SEE TABLE

DWN	H.YAALI	12 OCT 99
CHK	C.TARTARI	12 OCT 99
APVD	—	—
PRODUCT SPEC	—	—
APPLICATION SPEC	—	—
WEIGHT	—	—



FASTIN-FASTON CONNECTOR
.110 SRS REC. CONTACT

SIZE	CAGE CODE	DRAWING NO ZEICHNUNGS-NR.	RESTRICTED TO NUR FUER
A3	00779	C-160655	—

WIRE RANGE	0.5-1.5 mm ²
INSUL. RANGE	2.0-3.0

CUSTOMER DRAWING/KUNDENZEICHNUNG SCALE MASSSTAB 5 SHEET BLATT 1 OF VON 1 REV AG2

Mouser Electronics

Authorized Distributor

Click to View Pricing, Inventory, Delivery & Lifecycle Information:

[TE Connectivity:](#)

[160655-3](#)