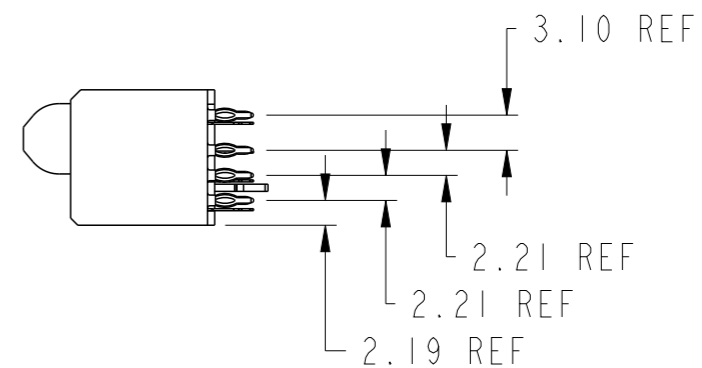
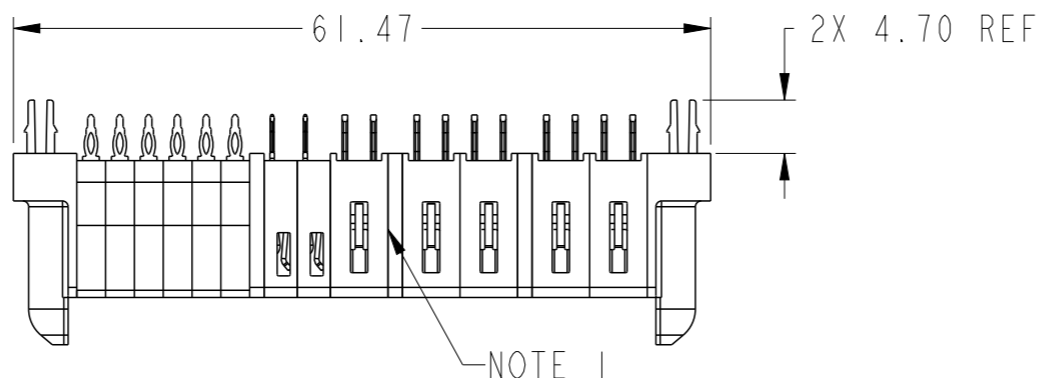
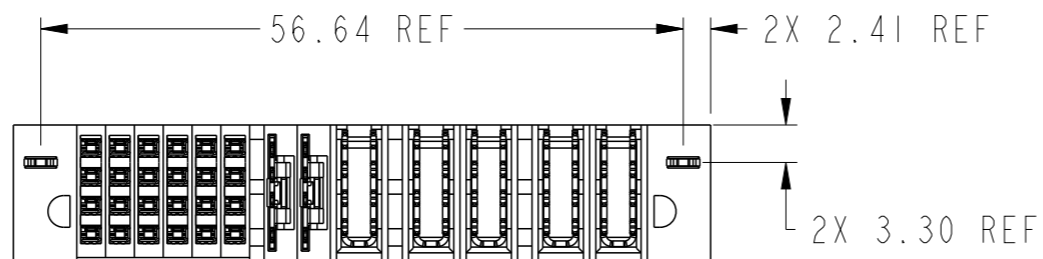
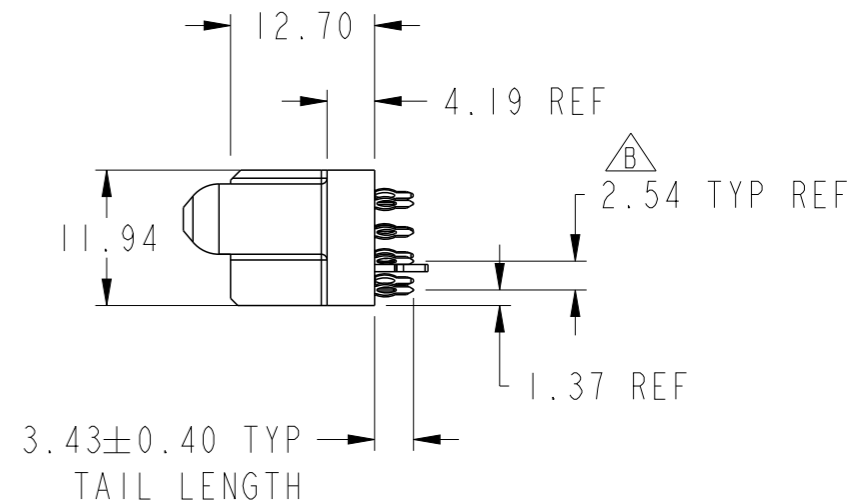
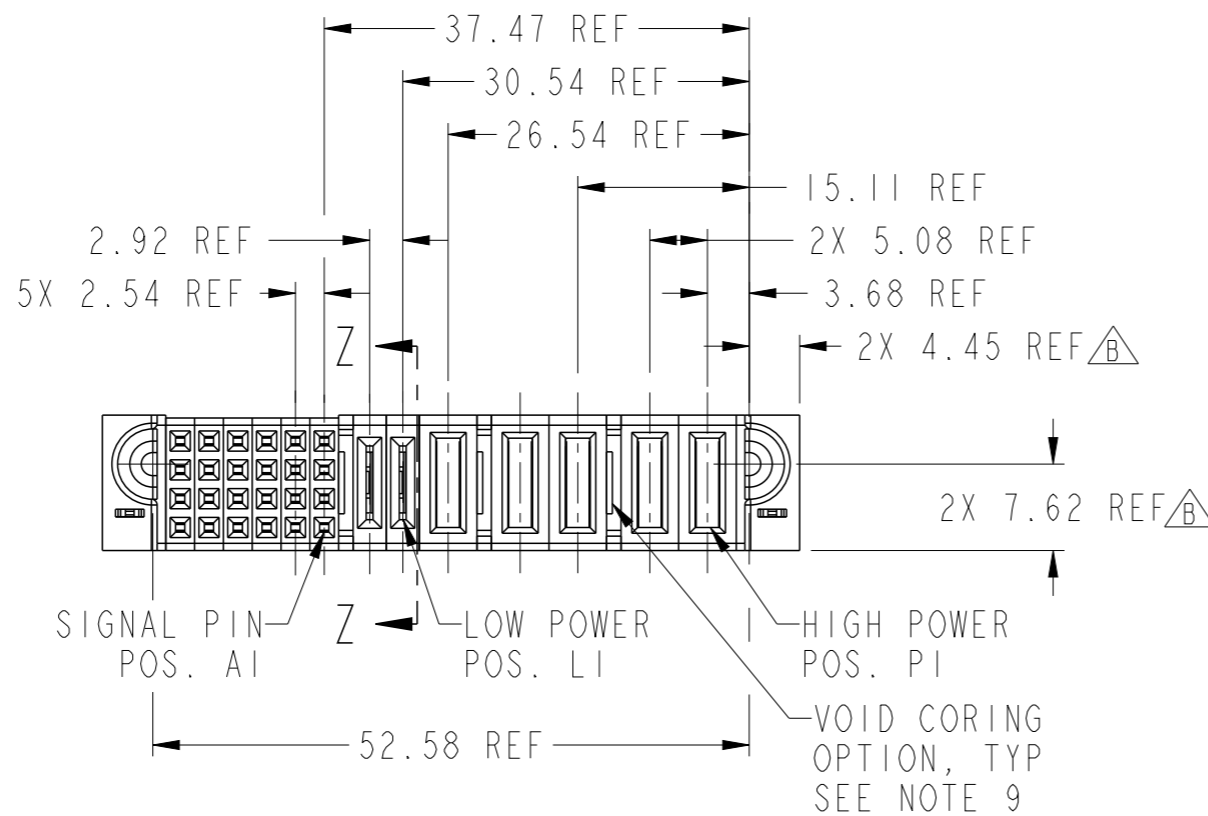


PRODUCT NUMBER SEE SHEET 2



SECTION Z-Z



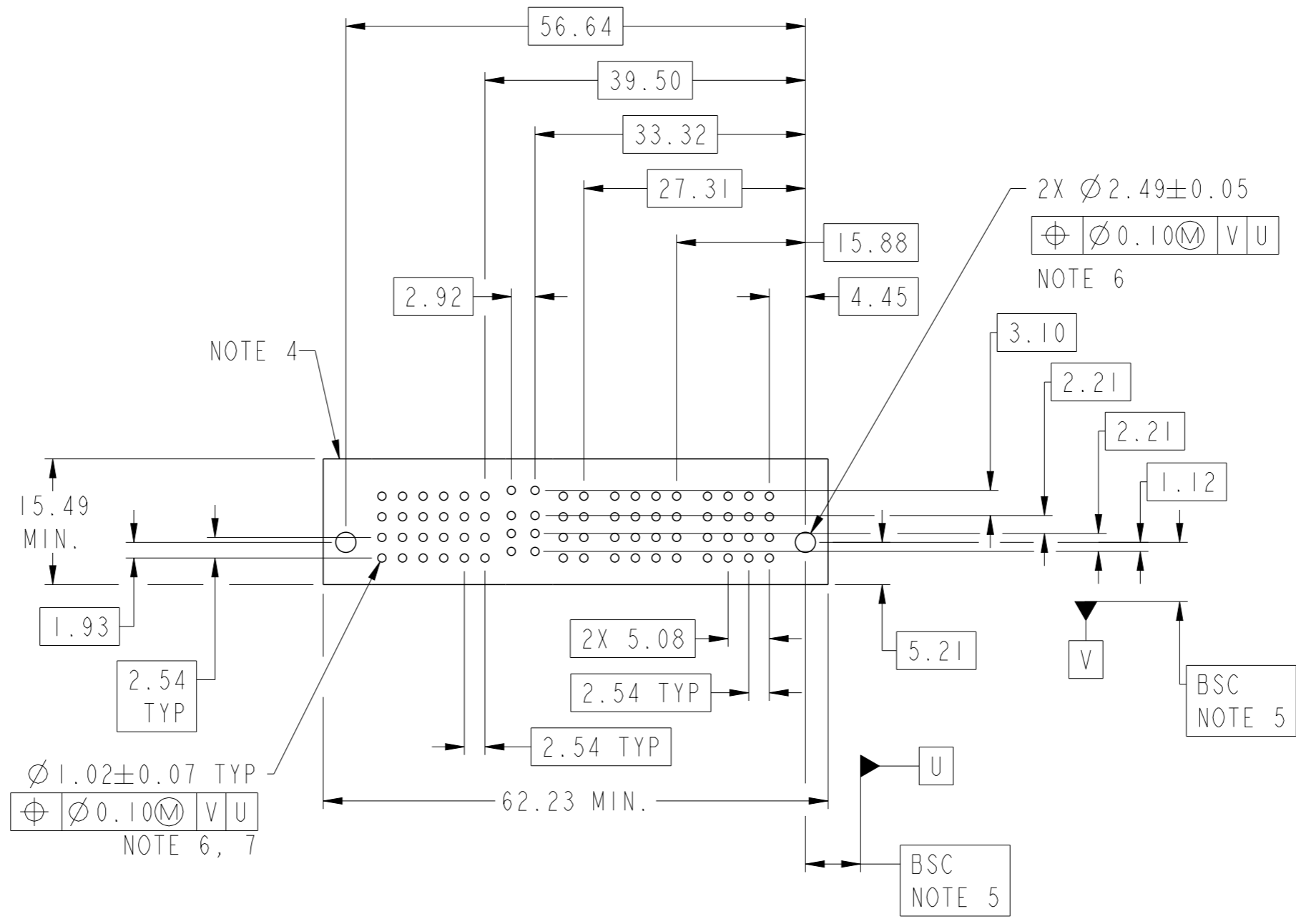
spec ref		dr	Peng-Bing Fu	2012/05/09	projection	MM	size	A3	scale	3:2
tolerance std ASME Y14.5		TOLERANCES UNLESS OTHERWISE SPECIFIED			eng	Peng-Bing Fu	2012/11/13	ecn no ELX-DG-013146-1		
		chr	Tian-Xu Huang	2012/11/13	product family		PowerBlade+	rel level Released		
surface ✓		appr	Pei-Ming Zheng	2012/11/13	5HP + 2LP + 24S		dwg no		10106269-5206002	
ASME Y14.5		linear		0.X	±0.50	www.fci.com		cat. no.		Product - Customer Drw
		angular		0°	±2°	VT PF RECEPTACLE		rev		B
								sheet 1 of 3		



Copyright FCI.

PRODUCT NO.	ROWS	SIGNAL						LP		HIGH POWER					E2		
		E1	6	5	4	3	2	1	LP2	LP1	P5	P4	P3	P2		P1	
10106269-5206002LF	DCBA	HA	F	F	F	F	F	F	F	LT	LT	HD	HD	HD	HG	HG	HA

CODE	DESCRIPTION
F	STD SIGNAL CONTACT
HA	METAL HOLD DOWN
HD	MFBL HIGH POWER CONTACT (3.43)
HG	STD HIGH POWER CONTACT (3.43)
LT	STD LOW POWER CONTACT (3.43)



Copyright FCI.

dr	Peng-Bing Fu	2012/05/09	projection	MM	size	A3	scale	3:2		
eng	Peng-Bing Fu	2012/11/13			ecn no	ELX-DG-013146-1				
chr	Tian-Xu Huang	2012/11/13				product family	PowerBlade+	rel level	Released	
appr	Pei-Ming Zheng	2012/11/13				5HP + 2LP + 24S	dwg no	10106269-5206002	rev	B
www.fci.com			cat. no.			Product - Customer Drw		sheet 2 of 3		

A

B

C

D

A

B

C

D

NOTES:

- 1) "FCI", PART NUMBER AND DATE CODE TO BE MARKED ON THIS SURFACE.  
THE P/N CAN BE OMITTED IF THERE IS NOT ENOUGH SPACE ON THIS SURFACE.
- 2) MATERIALS:  
-HOUSING - GLASS FILLED WITH HIGH TEMP THERMOPLASTIC, UL94V-0.  
-SIGNAL CONTACT - COPPER ALLOY.  
-POWER CONTACT - HIGH CONDUCTIVITY COPPER ALLOY.
- 3) PLATING SPECIFICATION REFER TO FCI 10116351
- 4) DENOTES CONNECTOR KEEP OUT ZONE.
- 5) DATUM AND BASIC DIMENSIONS WERE ESTABLISHED BY CUSTOMER.
- 6) ALL HOLE DIAMETERS ARE FINISHED HOLE SIZES.
- 7)  $1.15 \pm 0.025$ MM DRILLED HOLE PLATED WITH 0.00762MM MIN Sn  
OVER 0.0254-0.0762MM Cu PLATING TO ACHIEVE A  $1.02 \pm 0.07$ MM HOLE.
- 8) PRODUCT SPECIFICATION REFER TO FCI GS-12-658.  
APPLICATION SPECIFICATION REFER TO FCI GS-20-141.  
PRODUCT PACKAGED IN TRAYS, REFER TO FCI GS-14-1502.
- 9) THE VOID CORING IN BETWEEN POWER MODULES, SIGNAL  
MODULES AND END MODULES ARE OPTIONAL AND THE SHAPE  
MAY BE DIFFERENT FOR OPTIMIZE THE MOLDING PROCESS. THE  
VOID CORING WILL NOT EFFECT TO PRODUCT FUNCTION.
- 10) A  $\triangle$  SYMBOL WILL BE NEXT TO ANY DIMENSION, VIEW, OR NOTE WHICH HAS  
BEEN MODIFIED WITH THE CURRENT DRAWING REVISION.



Copyright FCI.

dr	Peng-Bing Fu	2012/05/09	projection 	MM 	size	A3	scale	1:1
eng	Peng-Bing Fu	2012/11/13			ecn no	ELX-DG-013146-1		
chr	Tian-Xu Huang	2012/11/13			product family	PowerBlade+	rel level	Released
appr	Pei-Ming Zheng	2012/11/13			cat. no.	5HP + 2LP + 24S		rev
					cat. no.	VT PF RECEPTACLE		rev <b>B</b>
www.fci.com			Product - Customer Drw		cat. no.	10106269-5206002		sheet 3 of 3

# Mouser Electronics

Authorized Distributor

Click to View Pricing, Inventory, Delivery & Lifecycle Information:

[FCI / Amphenol:](#)

[10106269-5206002LF](#)