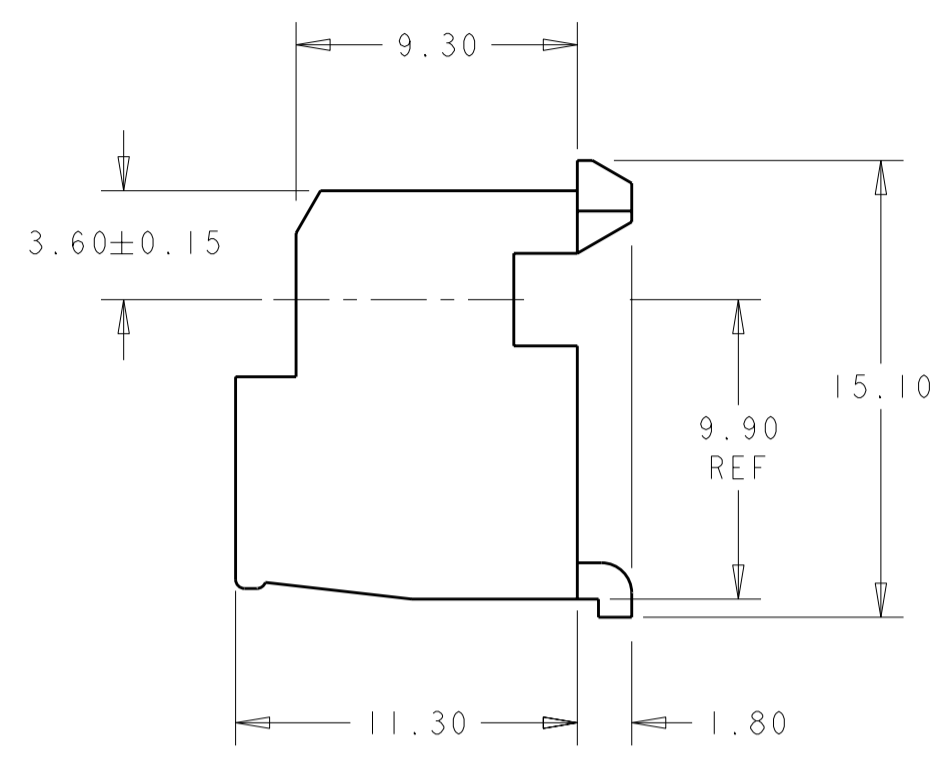
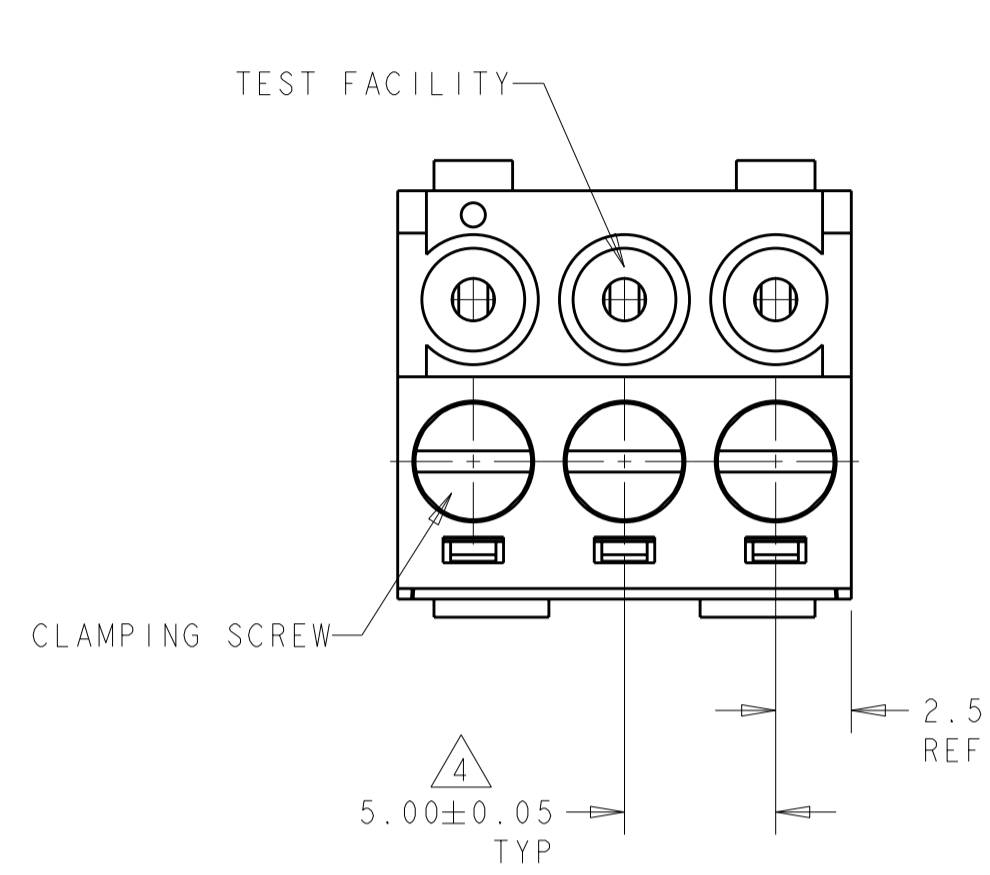
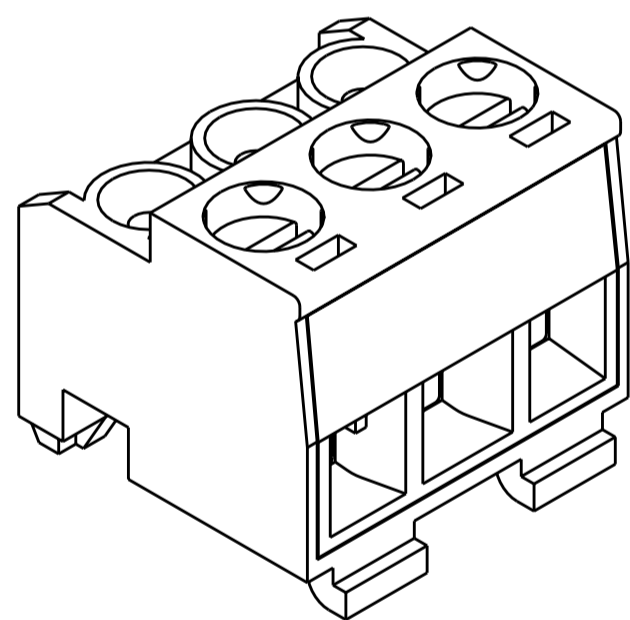
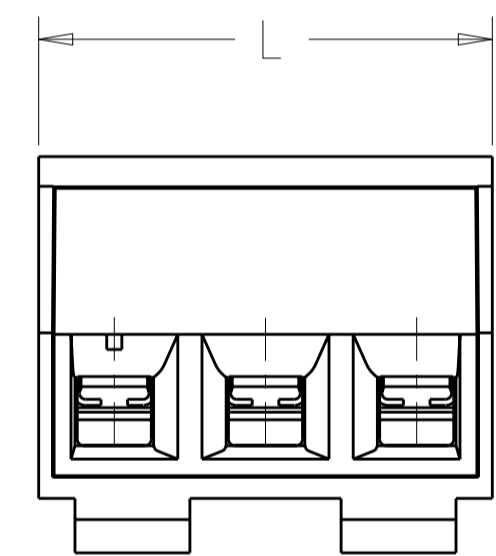


THIS DRAWING IS UNPUBLISHED. RELEASED FOR PUBLICATION 20  
 © COPYRIGHT 20 BY TYCO ELECTRONICS CORPORATION. ALL RIGHTS RESERVED.

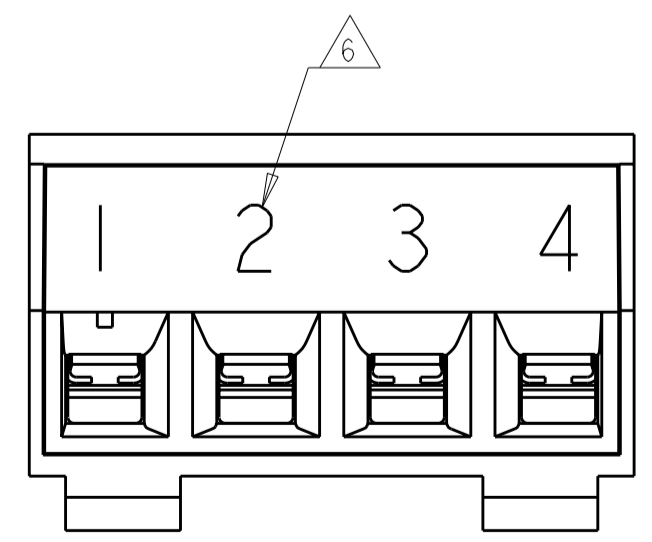
LOC		DIST		REVISIONS			
P	LTR	DESCRIPTION	DATE	DWN	APVD		
	D	REVISED ECO-05-007228	30AUG2005	SW	CR		
	DI	ADDED 1--5, ECO-05-010011	09NOV2005	SW	CR		
	E	REVISED ECO-06-022418	26SEP2006	SW	CR		
	F	REVISED PER ECO-08-003247	06FEB2008	SS	CR		



- 1 MATERIAL AND FINISH  
 HOUSING: PA 6.6, UL 94 V-0 RATED, COLOR: GREEN.  
 CLAMP: BRASS, NICKEL PLATED.  
 TERMINAL: BRASS, TIN PLATED.  
 CONTACT SPRING: PHOSPHOR BRONZE, TIN PLATED.  
 CLAMPING SCREW: BRASS, NICKEL PLATED.
- 2. END-TO-END STACKABLE WITHOUT LOSS OF CENTERLINE SPACING.
- 3. WIRE RANGE: 14-30 AWG.
- 4 NOT CUMULATIVE TOLERANCE.
- 5. BUCHANAN LOGO TO APPEAR ON HOUSING, LOCATION OPTIONAL WHERE SPACE PERMITS.
- 6 MARKED WITH PERMANENT WHITE INK IN APPROX AREA SHOWN.



1546173-3 AS SHOWN



DETAIL Z

PRELIMINARY	SEE DETAIL Z	4	ALL	20.0	4	1-1546173-5
-	-	5	1, 3, 5, 7, 8	40.0	8	1-1546173-4
-	-	12	ALL	60.0	12	1-1546173-2
-	-	11	ALL	55.0	11	1-1546173-1
-	-	10	ALL	50.0	10	1-1546173-0
-	-	9	ALL	45.0	9	1546173-9
-	-	8	ALL	40.0	8	1546173-8
-	-	7	ALL	35.0	7	1546173-7
-	-	6	ALL	30.0	6	1546173-6
-	-	5	ALL	25.0	5	1546173-5
-	-	4	ALL	20.0	4	1546173-4
-	-	3	ALL	15.0	3	1546173-3
-	-	2	ALL	10.0	2	1546173-2
SPECIAL MARKING		QTY	SELECTIVELY LOADED IN POSITIONS	L	NO OF POSN	PART NUMBER
		CONTACTS				

THIS DRAWING IS A CONTROLLED DOCUMENT FOR TYCO ELECTRONICS CORPORATION IT IS SUBJECT TO CHANGE AND THE CONTROLLING ENGINEERING ORGANIZATION SHOULD BE CONTACTED FOR THE LATEST REVISION.		DWN S.WELDON 18APR2002	Tyco Electronics Harrisburg, PA 17105-3608	
DIMENSIONS: mm		CHK D.BIEVENOUR 18APR2002	NAME	
TOLERANCES UNLESS OTHERWISE SPECIFIED:		APVD D.BIEVENOUR 18APR2002	TERMINAL BLOCK, PLUG, 90 DEGREE, STACKING, 5.0mm PITCH	
0 PLC ±-		PRODUCT SPEC	SIZE	RESTRICTED TO
1 PLC ±0.3		APPLICATION SPEC	A200779	-
2 PLC ±0.25		WEIGHT	C-1546173	
3 PLC ±0.000		CUSTOMER DRAWING	SCALE 4:1	SHEET OF REV F
4 PLC ±0.000				
ANGLES ±				
FINISH				

# Mouser Electronics

Authorized Distributor

Click to View Pricing, Inventory, Delivery & Lifecycle Information:

[TE Connectivity:](#)

[1546173-2](#)