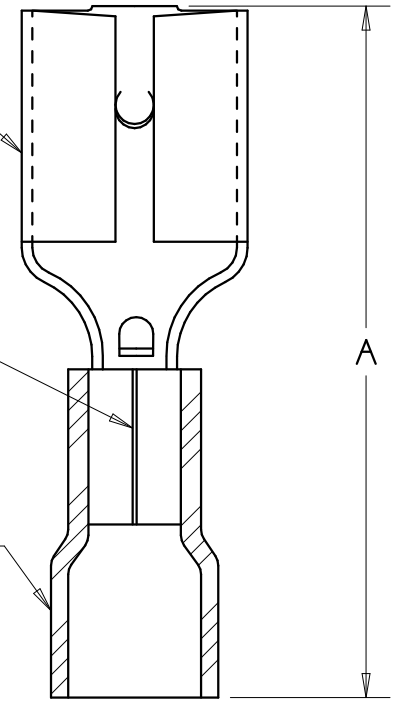
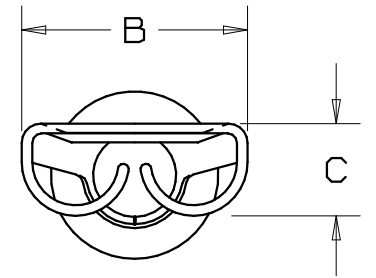


PART NUMBER		WIRE RANGE AWG	TAB SIZE	HOUSING COLOR	MAX. WIRE INSUL. DIA.	DIMENSIONS in.		
PREFIX	PK					A ±.03	B ±.01	C ±.01
DV18-205B	-C -M -MY	22-18	OR .205 X .032 .187 X .032	RED	.150 (3,8)	.75 (18,9)	.25 (6,4)	.12 (3,0)
*DV14-205B	-C -M	16-14	OR .205 X .032 .187 X .032	BLUE	.170 (4,3)	.75 (18,9)	.25 (6,4)	.12 (3,0)
DV18-206B	-C -M -MY	22-18	OR .205 X .020 .187 X .020	RED	.150 (3,8)	.75 (18,9)	.25 (6,4)	.12 (3,0)
*DV14-206B	-C -M	16-14	OR .205 X .020 .187 X .020	BLUE	.170 (4,3)	.75 (18,9)	.25 (6,4)	.12 (3,0)



NOTES:

- USED FOR:
  - STRANDED COPPER WIRE ONLY
  - TEMPERATURE RATING OF INSULATION: 105°C (221°F)
  - 600V. MAX. VOLTAGE RATING
- PACKAGE QTY: STD. PKG. -C=100  
BULK PKG. -M=1000, -MY=1000
- MATERIAL:
  - STAMPING - .016" (0,41) THK BRASS, TIN PLATED
  - HOUSING - VINYL
- WIRE STRIP LENGTH: 1/4 <sup>+1/32</sup><sub>-0</sub> (6,3 <sup>+8</sup><sub>-0</sub>)
- INITIAL INSERTION FORCE - 12 LB. (53 N.) MAX  
INITIAL WITHDRAWAL FORCE - 12 LB. (53 N.) MAX  
6 LB. (27 N.) MIN
- INSTALLATION TOOLS: CT-520, CT-1525
  - UL LISTED AND CSA CERTIFIED
  - UL RECOGNIZED
- DIMENSIONS IN BRACKETS ARE IN MILLIMETERS

TERMINAL STAMPING

BUTTED SEAM

HOUSING



MAX. WIRE INSUL. DIA.

A41576\_05



TINLEY PARK, ILLINOIS

FEMALE DISCONNECT, VINYL INSULATED  
(.187/.205 TAB SIZE)

05	6/06	DAW	DAW	REMOVED MAX. AMPERAGE NOTE	TR00134		
04	5/05	JHNU	LCA	ADDED PACKAGING CODE "MY" TO DRAWING.	12743	TRO	LCA
03	10/03	KLFU	SKB	UPDATED DRAWING	11202	TRO	LA/ SKB
02	5/01	KMD	SKB	DIM. "B" WAS .23 (5,8)	09357	BAD	JAC
01	2/01	EJS	SKB	UPDATED NOTE 1-B, ADDED CT-1525 TO NOTE 6	09108	TRO	JAC
REV	DATE	BY	CHK	DESCRIPTION	ECN #	PM	CUST

DRAWN BY	CHK'D	SCALE	DRAWING NO.
MS		NONE	A41576

# Mouser Electronics

Authorized Distributor

Click to View Pricing, Inventory, Delivery & Lifecycle Information:

[Panduit:](#)

[DV14-206B-M](#) [DV14-206B-C](#) [DV18-205B-CY](#) [DV18-205B-MY](#) [DV18-206B-CY](#) [DV14-205B-M](#) [DV18-206B-MY](#)  
[DV14-205B-C](#)