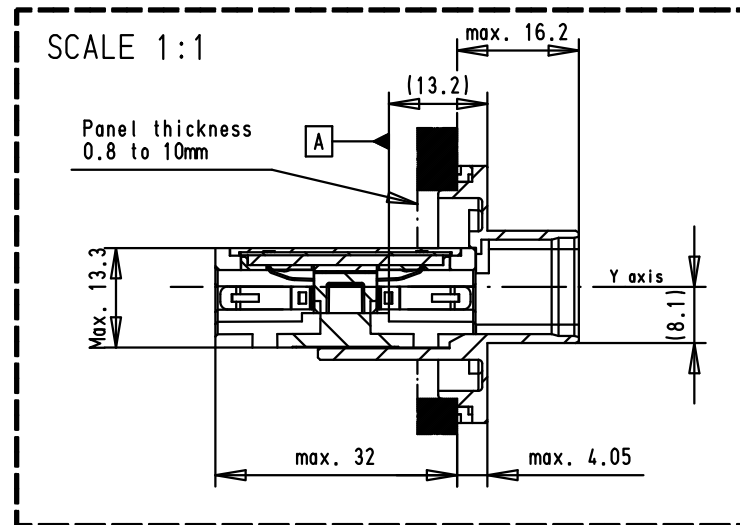
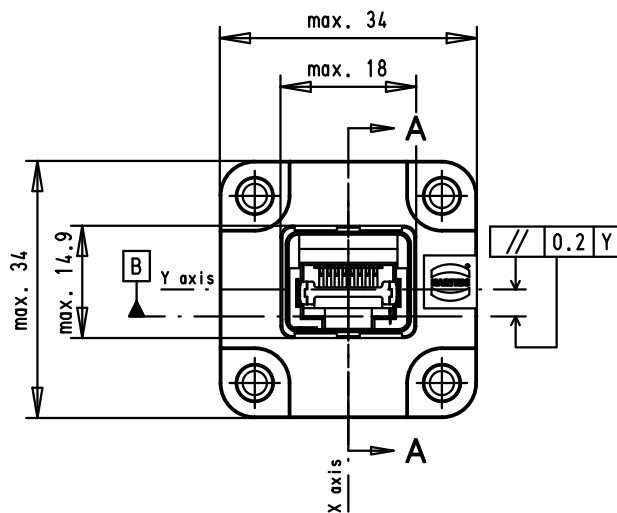
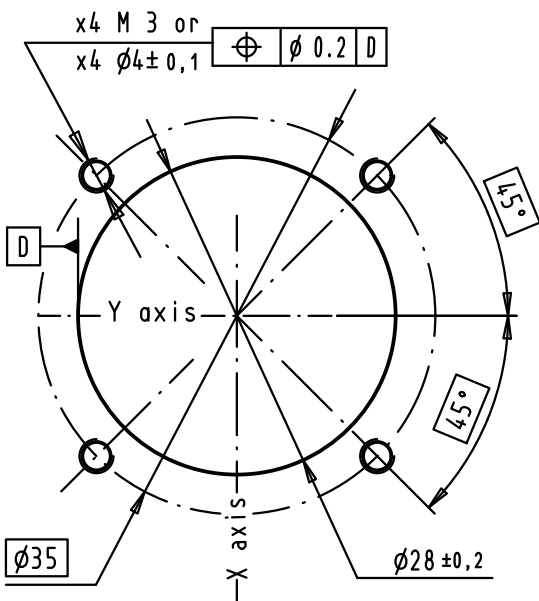


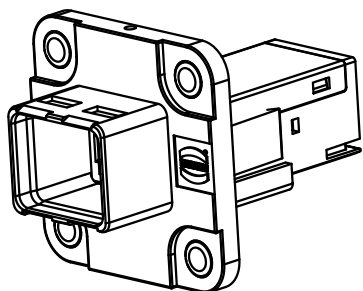
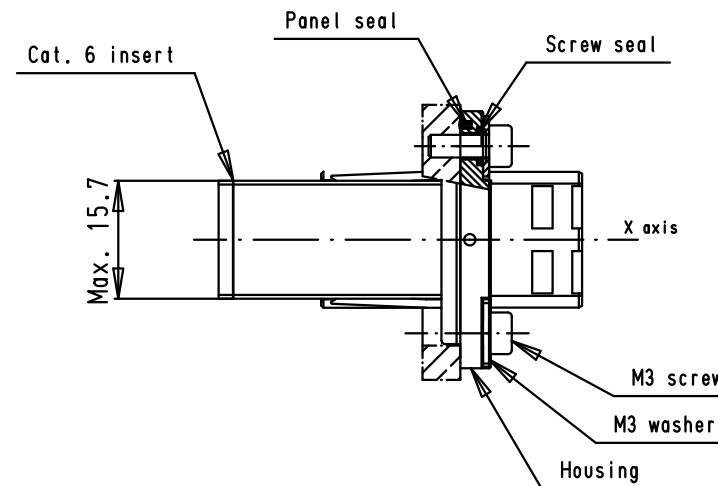
Panel cutting





Connector pitches on panel = 35 mm
 Receptacle mating face acc. to
 IEC 61076-3-106 - variant 04

jack references A and B
 according to IEC 60603-7
 the jack is located in the housing
 in the X,Y,Z axis after locking clips.

Screwing by x4 M3 screws with torque 0.5 N.m
 with flat washer under the screw .



				Dat.	Name	 All Dim. in mm Orig. Size DIN A 4	HARTING PUSHPULL PLASTIC EASYINSTALL PANEL FEED THROUGH Cat.6	Maßstab/ Scale 1:1
			Detail.	25/05/10	AB			
			Insp.					
			Stand.					
36075	25/05/10	AB	HARTING EURL F-95972 Paris				TB 09 45 245 1590	Blatt/ Page 1 / 1
Mod.	Dat.	Name	Sub.					

Mouser Electronics

Authorized Distributor

Click to View Pricing, Inventory, Delivery & Lifecycle Information:

[HARTING:](#)

[09452451590](#)