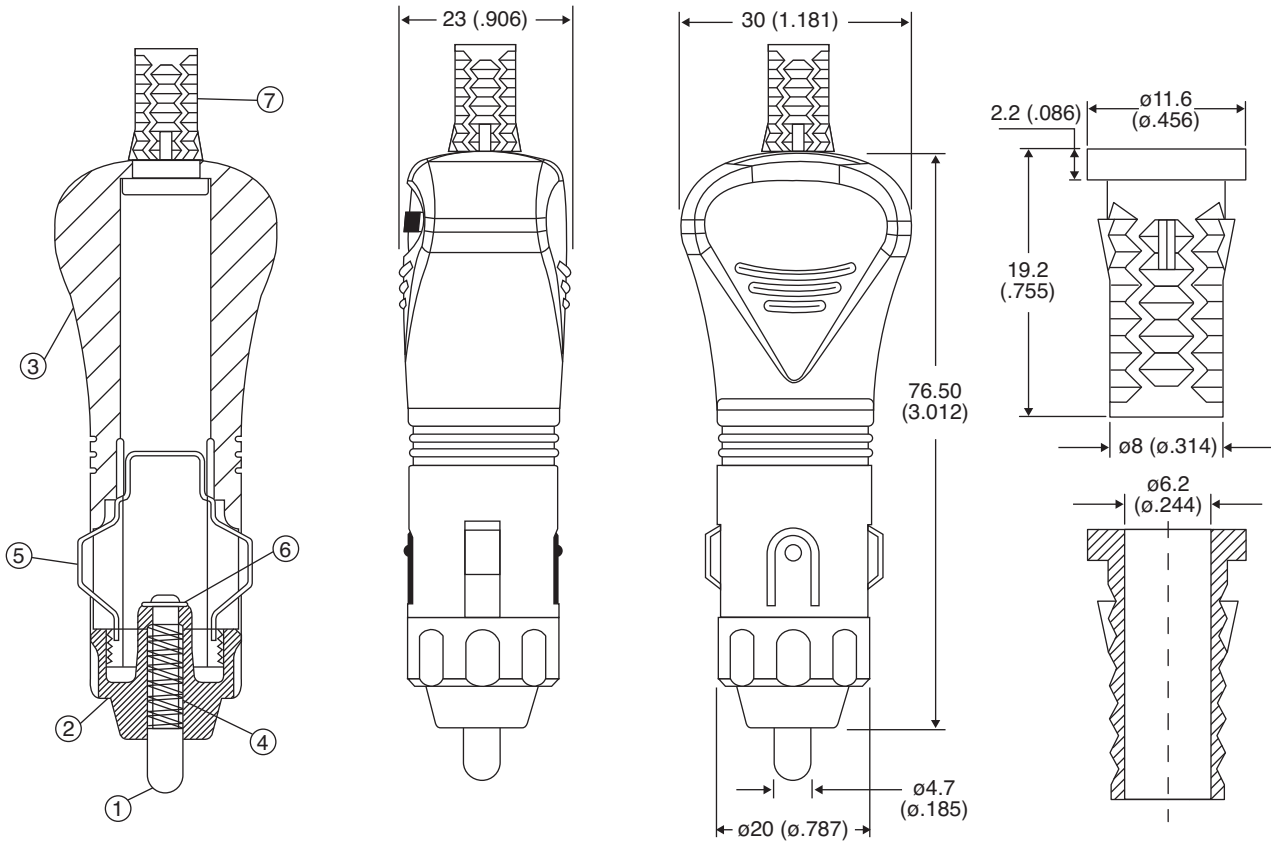


12VDC Plug

171-A1378-EX

KOBICONN

12VDC Plug



Dimensions: mm (in.)

No Fuse Needed

ELECTRICAL SPECIFICATIONS

Rating:	15A/12VDC
Insulation Resistance:	500VDC 100MΩ Min.
Voltage Breakdown:	1000VAC 1 Minute
Wire AWG:	SPT-2 16AWG max.

MECHANICAL SPECIFICATIONS

Operating Temperature:	-20°C to +65°C
Housing:	PF
Strain Relief:	PVC
Tip:	Brass Ni-plated

MATERIALS

No.	Description	Material	Finish
1	Contact Tip	C2680	----
2	Cap	PF T385J	----
3	Housing	PF T385J	----
4	Spring	SWPA	Ni-Plating
5	Contact Plate	SK5	Ni-Plating
6	Washer	----	Soldering
7	Strain Relief	PVC	----

RoHS Compliant by Exemption

171-A1378-EX

Date Last Revised: 09/22/10

Available from Mouser Electronics
1-800-346-6873 / www.mouser.com

KC-301247

Specifications are subject to change without notice. No liability or warranty implied by this information. Environmental compliance based on producer documentation.

Mouser Electronics

Authorized Distributor

Click to View Pricing, Inventory, Delivery & Lifecycle Information:

[Kobiconn:](#)

[171-A1378-EX](#)