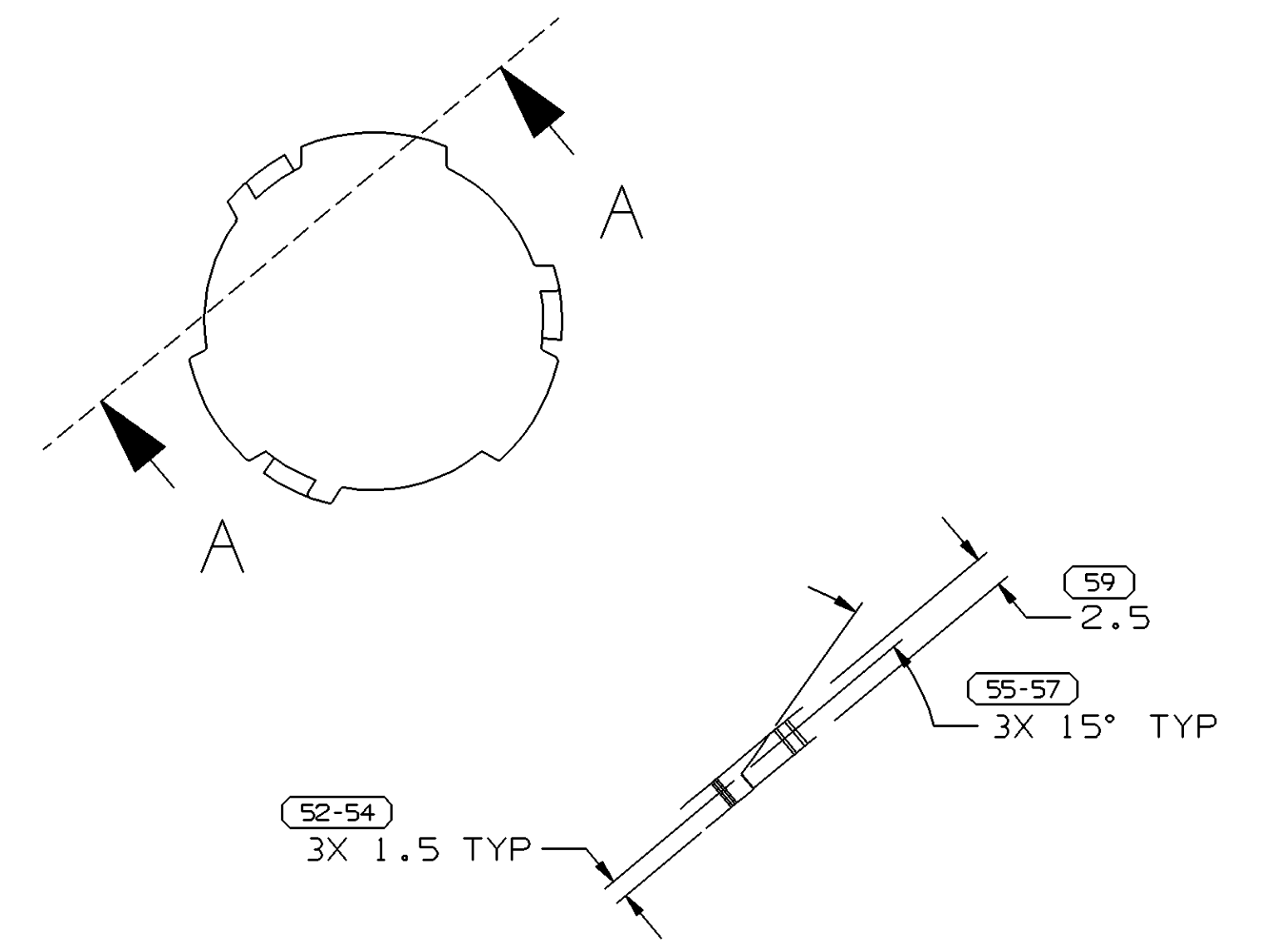
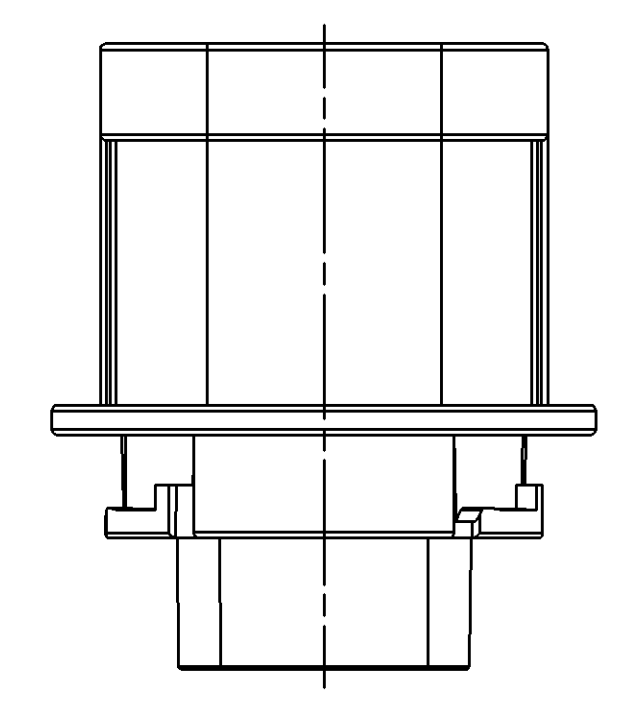
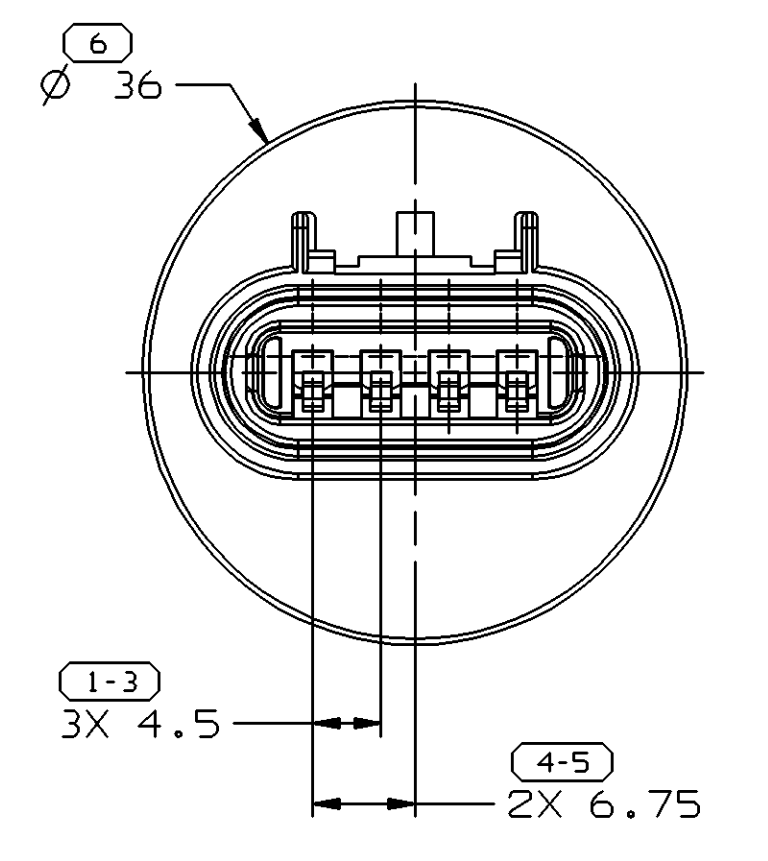
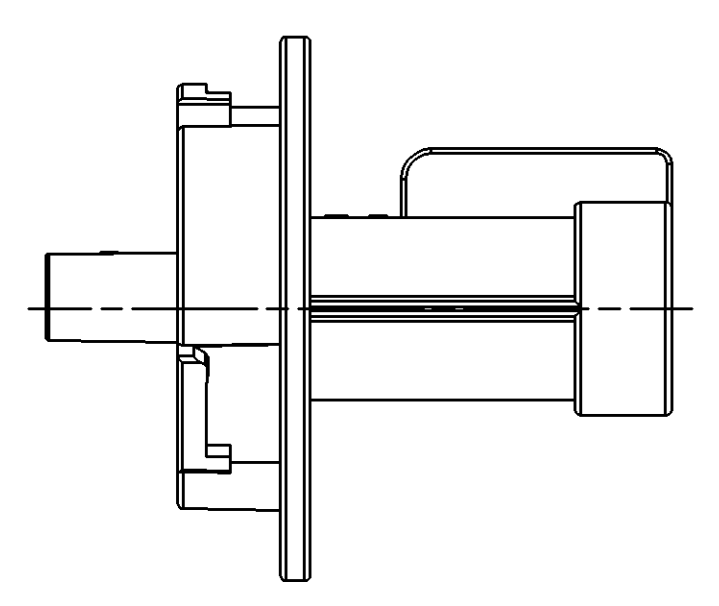
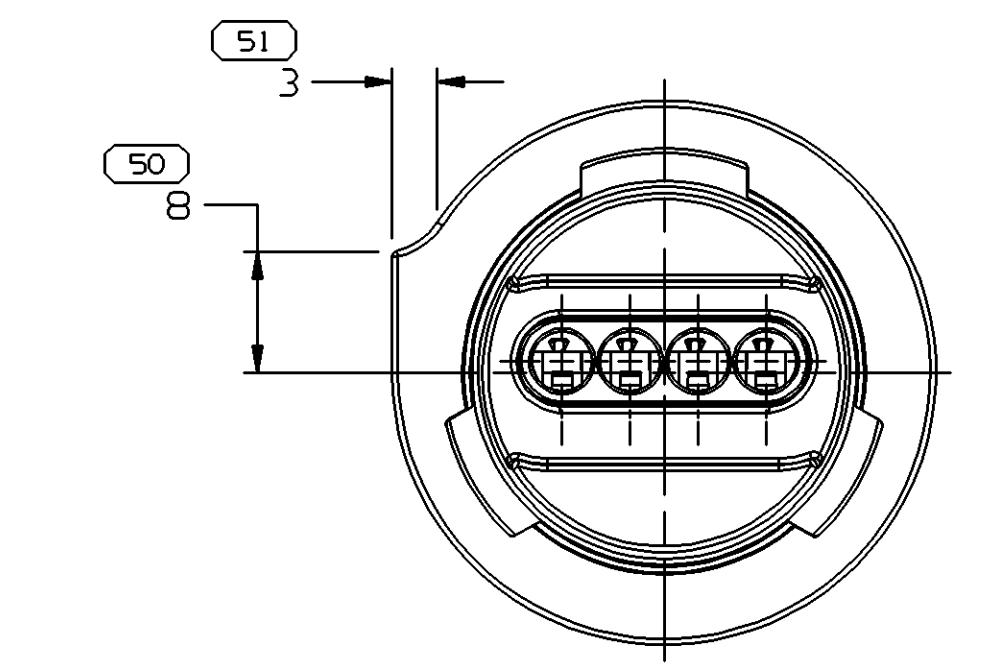
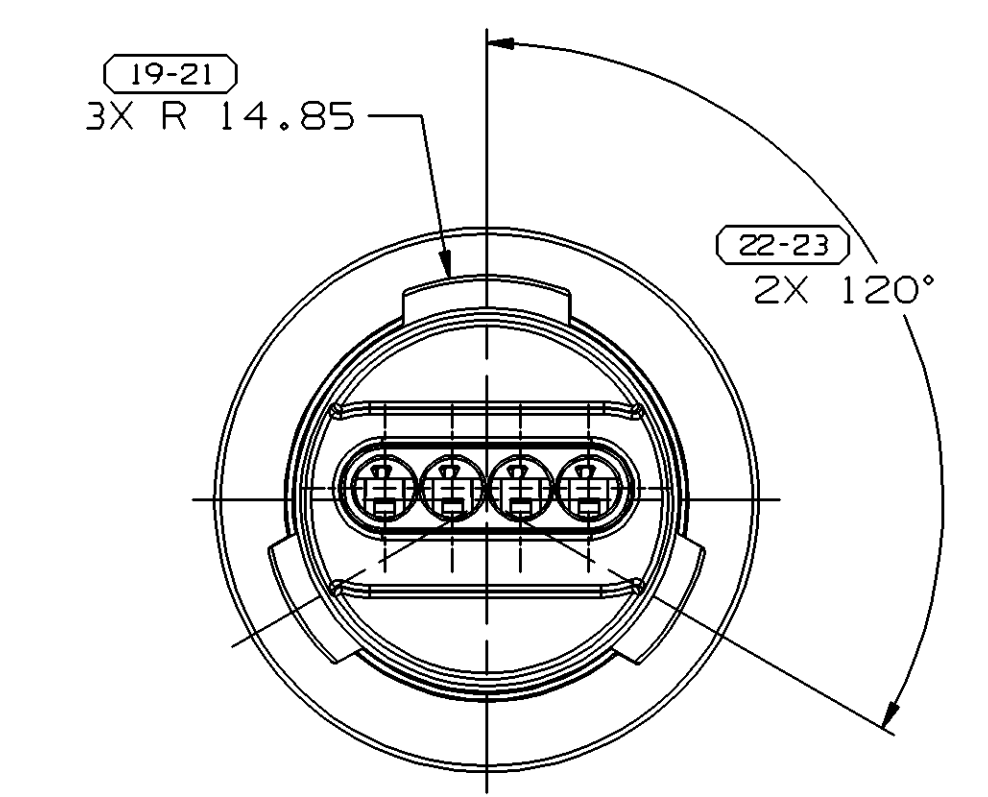
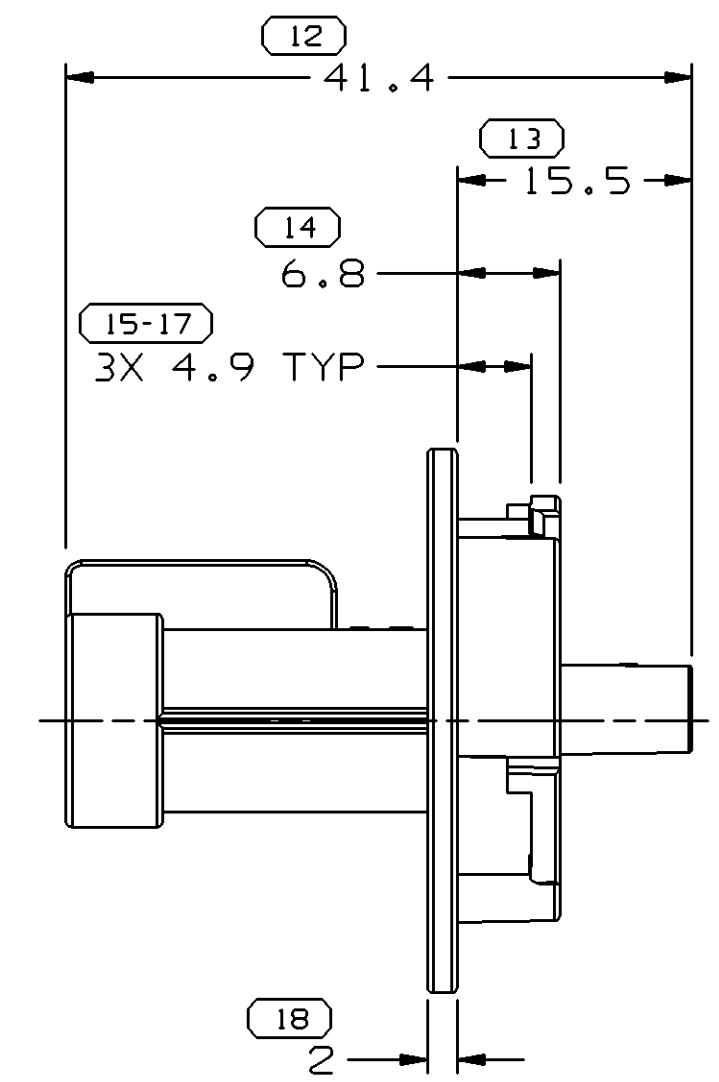
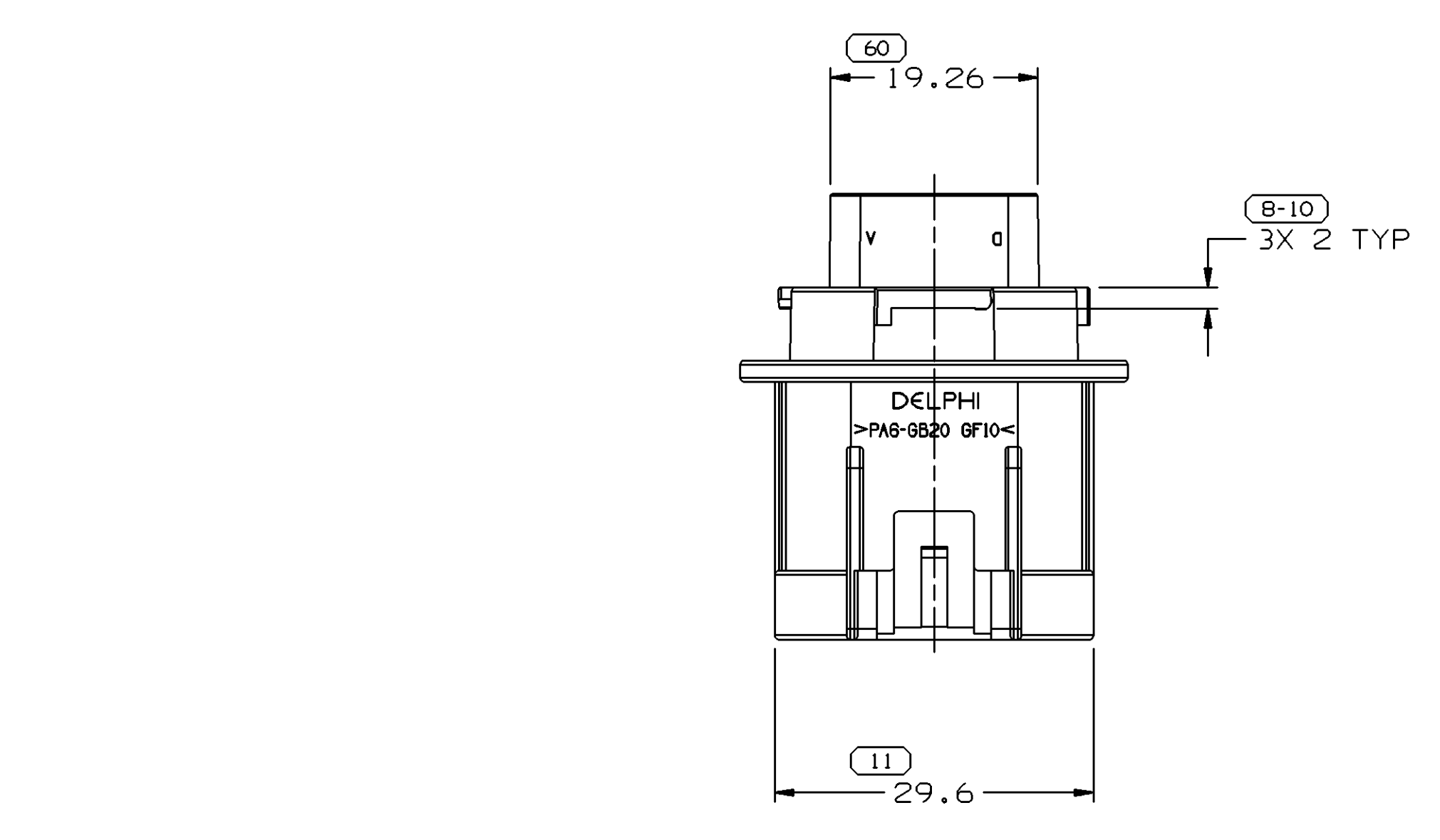
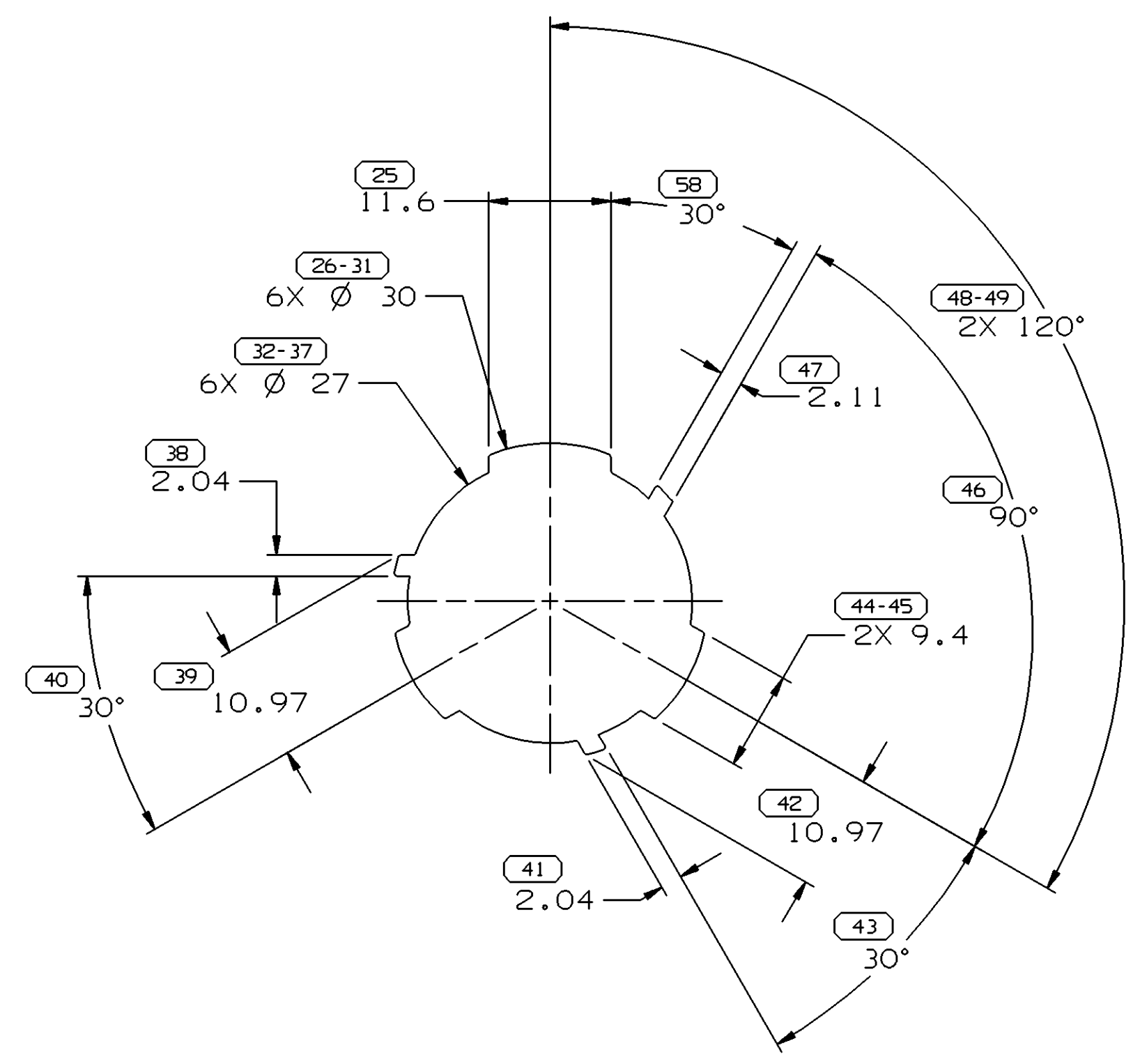
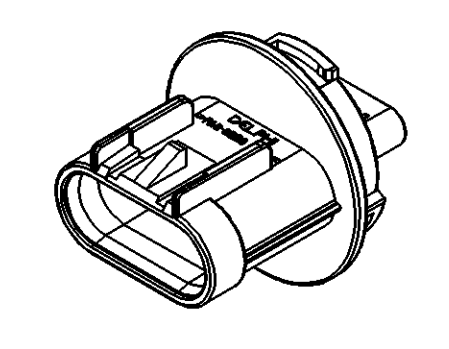


SYMBOL DEFINITION		MISSING NUMBERS		DWO STATUS				REVISION HISTORY				AUTH		DR		APVD	
THE NUMBER INSIDE THE SYMBOL CORRESPONDS TO THE NUMBER ON THE INSPECTION REPORT FOR THIS DRAWING/PART NUMBER	TOTAL NO. OF SYMBOLS ON DRAWING	32	7,24,	DATE	STG	REV	N/P	CHO	ZONE	Cleared Rev Column & Revised				194984	JTC	JVM	GO
	LAST NO. USED	60		25MY99	R	02	-	-	-	-	Updated PDM Attributes				196715	JCO	AUG
				26JAO5	R	02	AB	-	-	Preferred Construction was Optional Construction: Updated Drawing Format				263813	MAC	MAC	LN



BACK OF MOUNTING FEATURE
INSIDE LAMP-CASING

- NOTES
- UNLESS OTHERWISE SPECIFIED AND/OR INDICATED: DIMENSIONS ARE TO FACE OF VIEW SHOWN AND AUTOMATICALLY ROUNDED BY COMPUTER FOR INSPECTION. (SEE MATH MODEL FOR PRECISE DIMENSIONS.) FOR ALL OTHER DIMENSIONS NOT SHOWN BUT REQUIRED FOR TOOL BUILD, SEE MATH MODEL FOR PRECISE TOOL PATH DATA.
 - THIS PART USED IN ASSEMBLY 15369320
 - MATING COMPONENTS OR EQUIVALENT:
CONNECTOR 15326815
PLR 15326817
SEAL 12129909
 - TYPICAL TERMINAL OR EQUIVALENT:
15304706, 15304707
 - MATERIAL RECYCLING CODE PER ISO 11469. (1.15)X(0.1) CHARACTERS AS SHOWN TO BE LOCATED ON ANY EXTERIOR SURFACE.
 - (1.44)X(0.1) DELPHI CORPORATE BRAND TO BE LOCATED ON ANY EXTERIOR SURFACE, PREFERABLY VISIBLE AT FINAL ASSEMBLY. OPTIONAL CONSTRUCTION TO BE "PED".



DIMENSIONAL RANGE (MM)		CHART ET		THIRD ANGLE PROJECTION		DO NOT SCALE	
FROM	TO	1	2	3	4	5	6
> 0	> 20	> 30	> 70	> 100	> 150	> 200	> 250
20	30	70	100	150	200	250	300
TOLERANCE UNLESS OTHERWISE SPECIFIED		TOLERANCE UNLESS OTHERWISE SPECIFIED		TOLERANCE UNLESS OTHERWISE SPECIFIED		TOLERANCE UNLESS OTHERWISE SPECIFIED	
±0.15 ±0.2 ±0.3 ±0.4 ±0.5 ±0.6 ±0.8 ±1 ±1.2		±0.15 ±0.2 ±0.3 ±0.4 ±0.5 ±0.6 ±0.8 ±1 ±1.2		±0.15 ±0.2 ±0.3 ±0.4 ±0.5 ±0.6 ±0.8 ±1 ±1.2		±0.15 ±0.2 ±0.3 ±0.4 ±0.5 ±0.6 ±0.8 ±1 ±1.2	
ANGULAR TOLERANCE 12°		ANGULAR TOLERANCE 12°		ANGULAR TOLERANCE 12°		ANGULAR TOLERANCE 12°	

DELPHI
DELPHI PACKARD ELECTRIC SYSTEMS
WARREN, OH

DR	DATE
APVD1 G.G. IZQUIERDO	11NOV98
APVD2 MANUEL VEGA	11NOV98
APVD3 G. ORANTES	18NOV98
APVD4	
APVD5	

UNLESS OTHERWISE SPECIFIED
THIS DOCUMENT IS IN ACCORDANCE WITH ASME Y14.5M-1994
AS AMENDED BY THE 04 & 05A DIMENSIONING AND TOLERANCING ADDENDUM-2001. SEPARATE PATTERNING OF FEATURES MAY BE OMD SEPARATELY REGARDLESS OF DATUM REFERENCES.

ALL DIMENSIONS ARE IN MILLIMETERS

REFERENCE

DRAWING NAME
CONN 4 M GT 150 BLK SLD

DRAWING NUMBER
15369319

SIZE A0 SCALE 1 OF 1 FRAME NO 1 OF 1 SHEET NO 1 OF 1 STG REV N/P R 02 AB

Mouser Electronics

Authorized Distributor

Click to View Pricing, Inventory, Delivery & Lifecycle Information:

[Aptiv:](#)
[15369319](#)