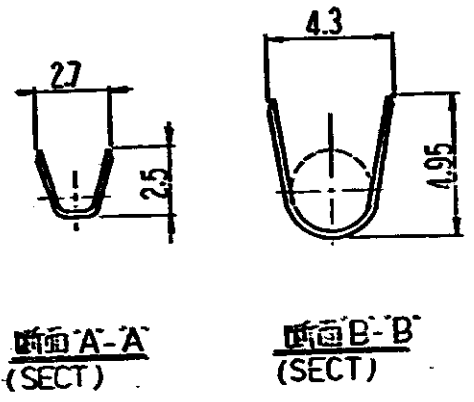
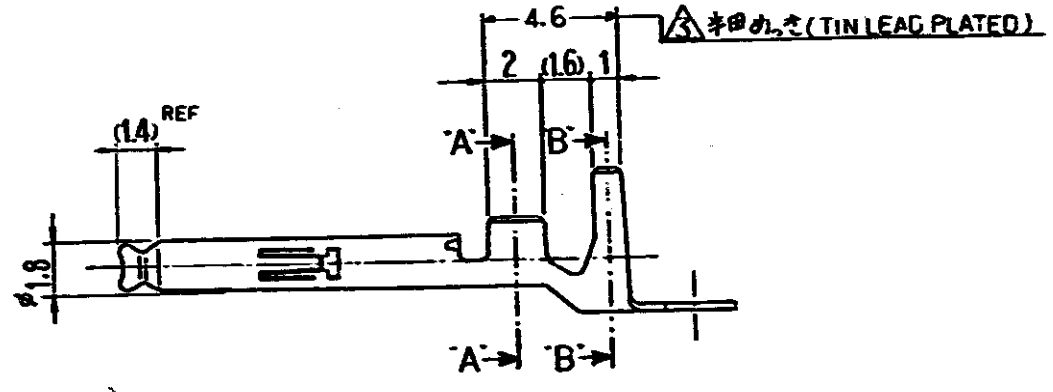
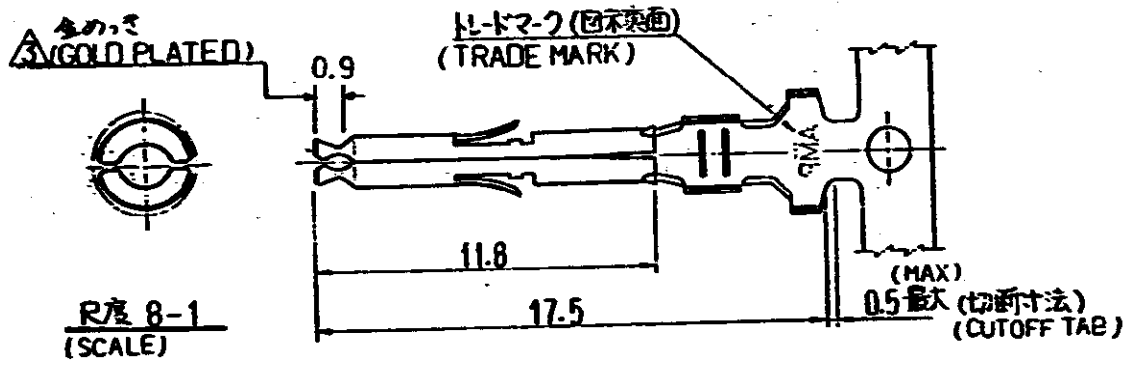


PART NUMBER
C-171637

△ GOLD PLATED 0.76 μ m^{MIN} ON CONTACT AREA, TIN LEAD PLATED ON BARREL AREA OVER NICKEL PLATED.



注: 1. 適用規格
 製品規格 108-5151, 108-5138.
 取付適用規格 114-5050
 取扱説明書 IS-105J

- △** 2芯着面取電線
 AWG#20 (VSF被覆外形 ϕ 2.4) \times 2
- △** ニッケルめき下地に、金めき(0.76 μ m最小厚被覆部)及びバレル部半田めき

NOTES: 1. PRODUCT SPECIFICATION 108-5151, 108-5153
 APPLICATION SPECIFICATION 114-5050
 INSTRUCTION SHEET IS-105J

△ APPLICABLE WIRE FOR TWO-WIRE CRIMP
 AWG#20 (VSF INSULATION DIAMETER ϕ 2.4) \times 2

4 OBSOLETE

171639-1		△ 黄銅めき (板厚0.25) GOLD PLATED BRASS (0.25T)	△ 171637-3	
バラ端子 (LOOSE PIECE)		△ 銅めき 黄銅 (板厚0.25) PRE TINNED BRASS (0.25T)	171637-1	
		仕上げ 材料	型番 (P/N)	
REF. MATERIAL 表参照 (SEE TABLE)		TE Connectivity		
FIN. FINISH				
ELECT. FINISH (WIRE RANGE) △ 05-13 板厚: AWG20-16		CLASS		
INSUL. INSULATION DIA. 20-32.24 \times 2		TYPE		
C2	REVISED PER ECR-15-006702	NK	PQ	29 JUL 2015
LTR	変更 REVISION RECORD	DR	CHK	DATE
DR	<i>J. O. D. [Signature]</i>	DE	<i>N. O. D. [Signature]</i>	
CHK	<i>[Signature]</i>	APP	<i>[Signature]</i>	
RE. (NAME): SOCKET CONTACT (MINI UNIVERSAL M-N-L)		ソケットコンタクト (ミニユニバーサルメテノク確達用形型コネクタ)		

単位: 1E DIMENSIONS IN MM. DO NOT SCALE PRINT

Mouser Electronics

Authorized Distributor

Click to View Pricing, Inventory, Delivery & Lifecycle Information:

[TE Connectivity:](#)

[171637-1 \(Cut Strip\)](#) [171637-1 \(Mouser Reel\)](#)