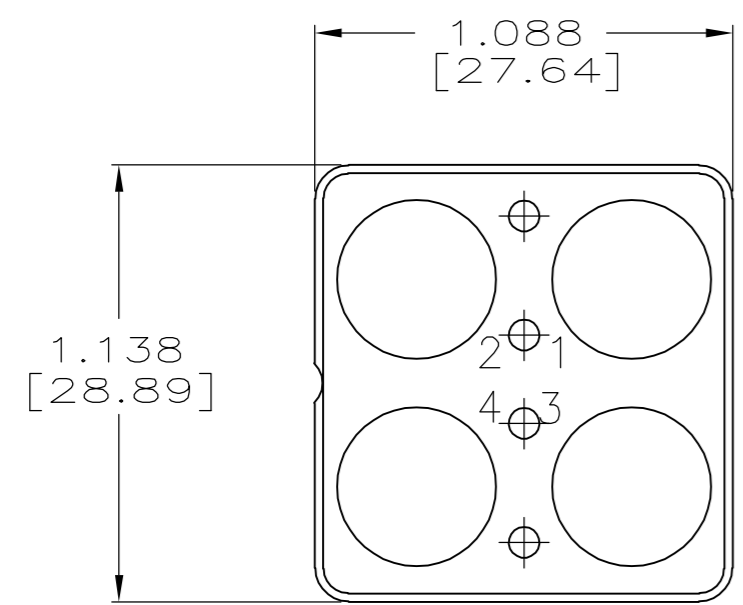
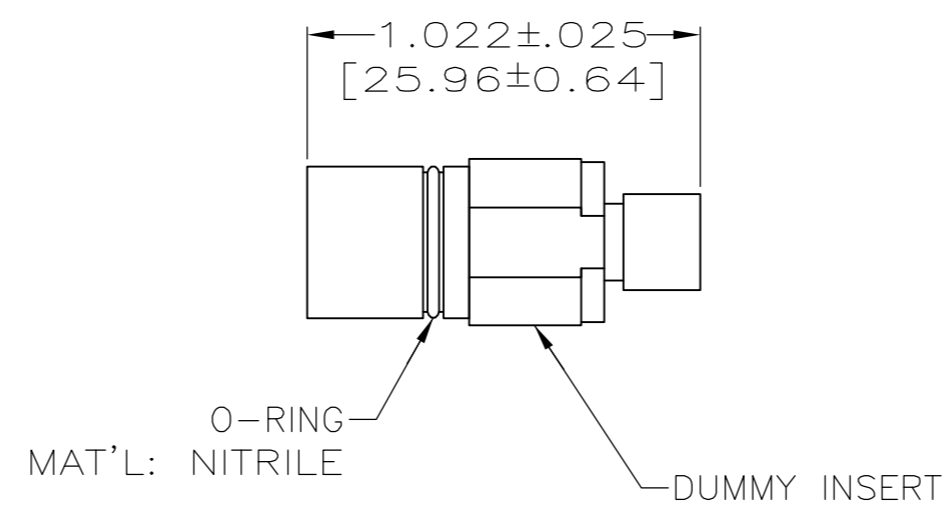
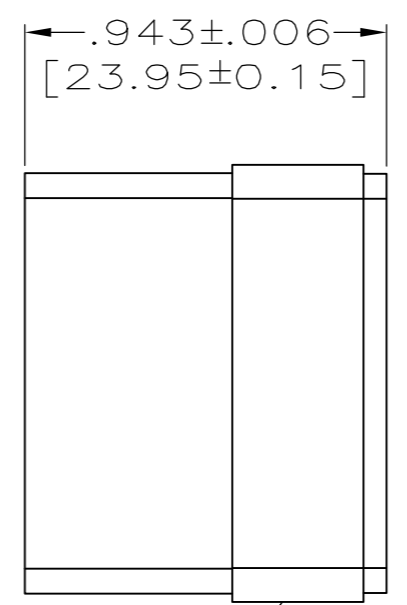


THIS DRAWING IS UNPUBLISHED. RELEASED FOR PUBLICATION
 © COPYRIGHT BY TYCO ELECTRONICS CORPORATION. ALL RIGHTS RESERVED.

| LOC | DIST | REVISIONS | | | | | |
|-----|------|-----------|-----|-------------------------|--------|-----|------|
| DF | S0 | P | LTR | DESCRIPTION | DATE | DWN | APVD |
| | | E | | REV PER EC 0H14-0255-05 | 3JAN06 | BL | CCT |

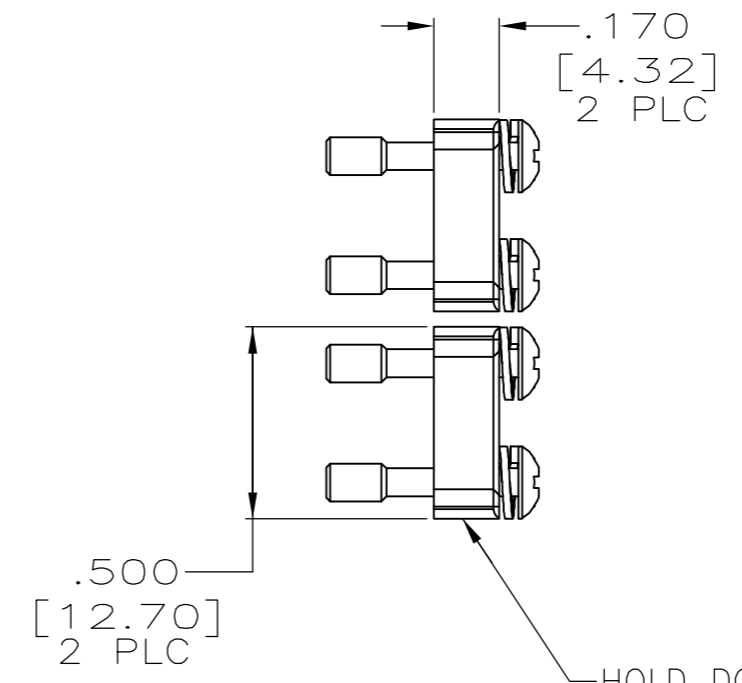


MATING FACE

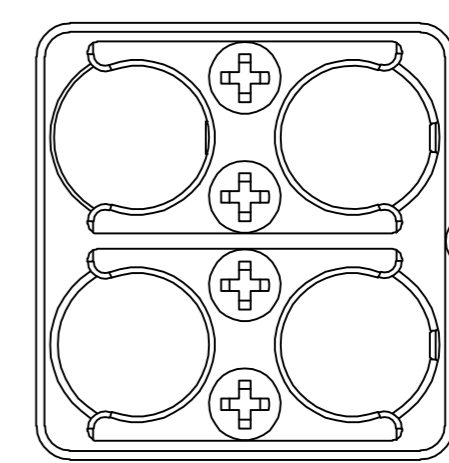


INSERT

MAT'L: ALUMINUM ALLOY
 FINISH: ELECTROLESS NICKEL



HOLD DOWN
 MAT'L: ALUMINUM ALLOY
 FINISH: ELECTROLESS NICKEL



- 1. FOR 1484661-1 ONE DUMMY INSERT AND O-RING SUPPLIED TO PLUG UNUSED CAVITY. INSTALLATION AND LOCATION DETERMINED BY CUSTOMER.
- 2. FOR 1484661-3 FOUR DUMMY INSERTS AND O-RINGS SUPPLIED TO PLUG UNUSED CAVITIES. INSTALLATION TO BE DONE BY CUSTOMER.
- 3. CUSTOMER TO LUBRICATE O-RING WITH LUBRICANT COMPATIBLE WITH NITRILE RUBBER (RECOMMEND DOW CORNING 55 O-RING LUBRICANT)

| | | |
|----------|---|-------------|
| OBSOLETE | 2 | 1484661-3 |
| | 1 | 1484661-2 |
| | 1 | 1484661-1 |
| REMARKS | | PART NUMBER |

| | | | | | | | | | | | | |
|---|---|------------------|--------------|--------|---|--|-----------|-------|------------|-----------|---------------|---|
| THIS DRAWING IS A CONTROLLED DOCUMENT. | | DWN | C.C.THOMAS | 2-5-02 | Tyco Electronics Corporation Harrisburg, PA 17105-3608 | | | | | | | |
| DIMENSIONS: INCHES | | CHK | S.GLATFELTER | 2-5-02 | | | | | | | | |
| TOLERANCES UNLESS OTHERWISE SPECIFIED: | | APVD | S.GLATFELTER | 2-5-02 | | | | | | | | |
| 0 PLC ± - 1 PLC ± - 2 PLC ± - 3 PLC ± .005 [0.13] 4 PLC ± - ANGLES ± - FINISH - | | PRODUCT SPEC | NAME | | | INSERT KIT, PLUG, 4 POSN., MINI EB, ARINC 600 | | | | | | |
| MATERIAL | - | APPLICATION SPEC | - | | SIZE | A2 | CAGE CODE | 00779 | DRAWING NO | C=1484661 | RESTRICTED TO | - |
| CUSTOMER DRAWING | | WEIGHT | - | | SCALE | 2:1 | | SHEET | 1 of 1 | | REV | E |

Mouser Electronics

Authorized Distributor

Click to View Pricing, Inventory, Delivery & Lifecycle Information:

[TE Connectivity:](#)

[1484661-1](#)