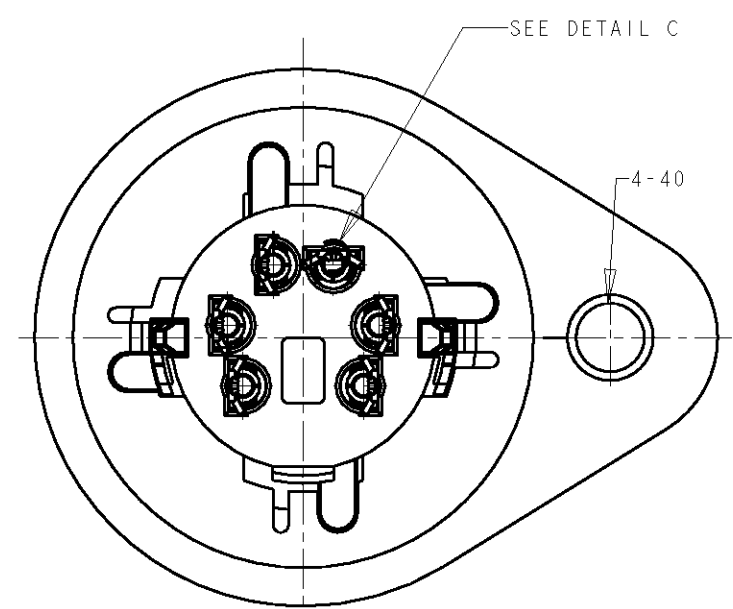
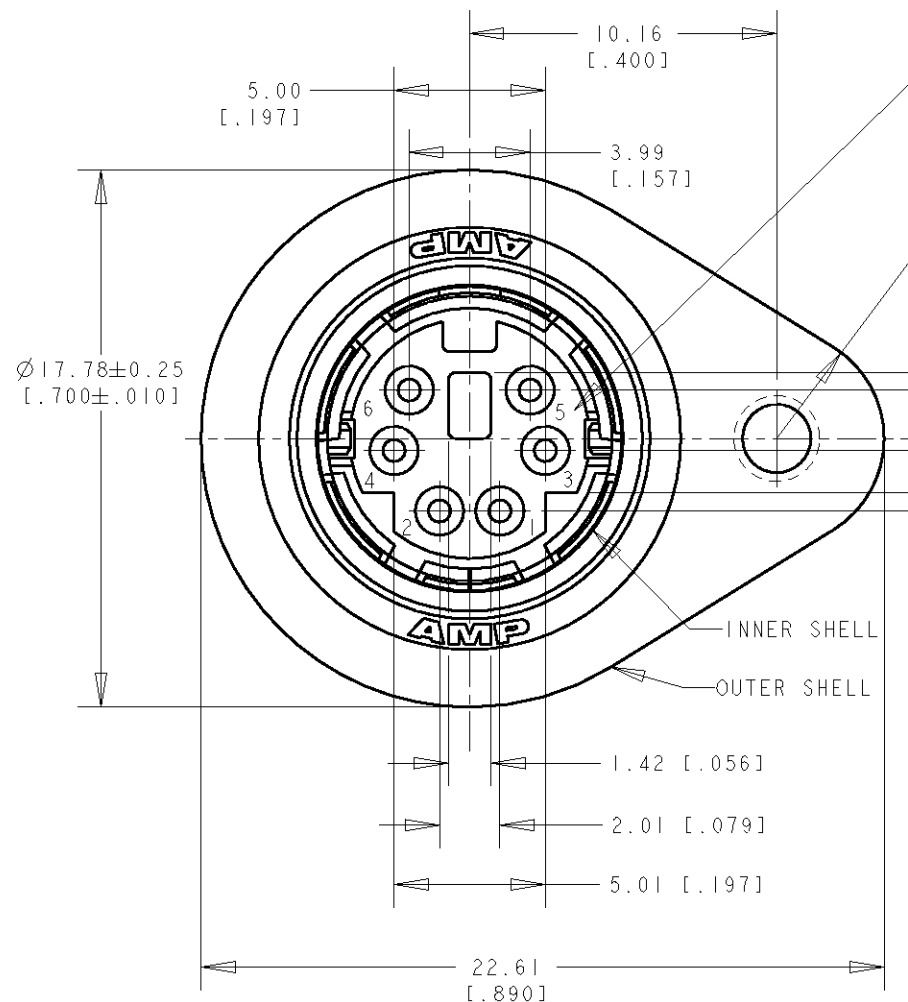
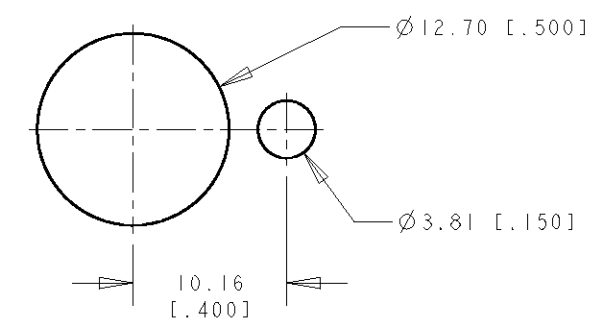


THIS DRAWING IS UNPUBLISHED. RELEASED FOR PUBLICATION .19  
 © COPYRIGHT 19 BY AMP INCORPORATED. ALL RIGHTS RESERVED.

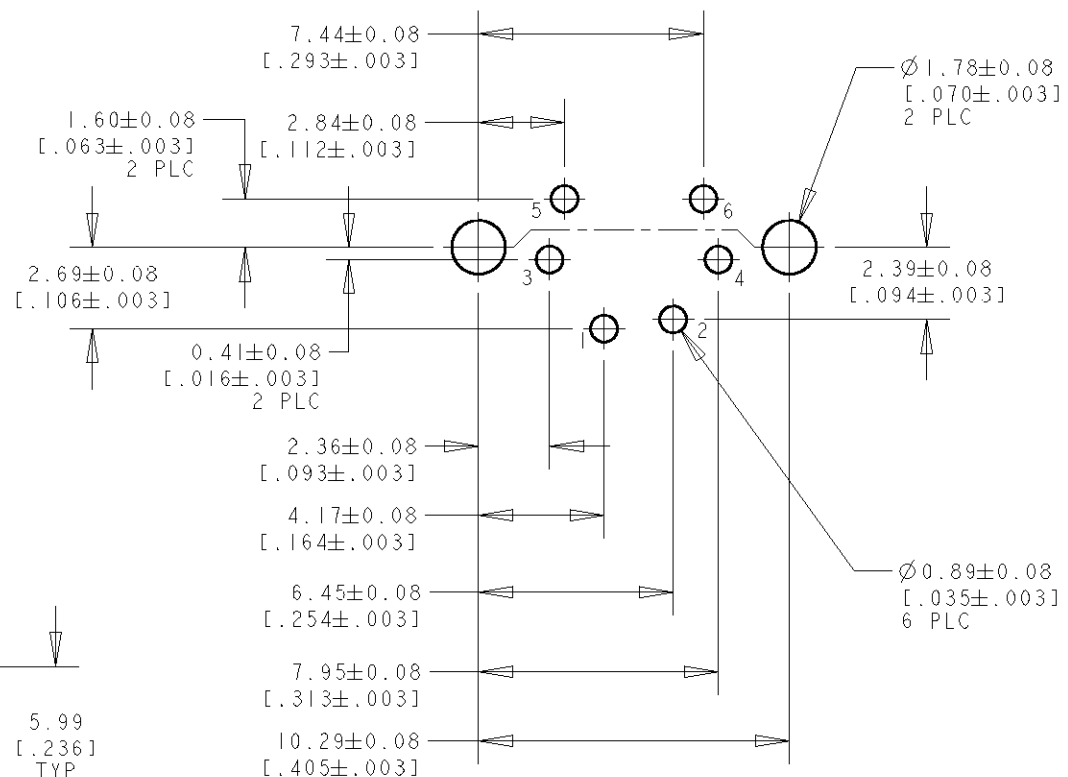
LOC	DIST	REVISIONS			
P	LTR	DESCRIPTION	DATE	DWN	APVD
DY	-	0	NPR ECR-05-008261	21JUN05	LWY SYJ



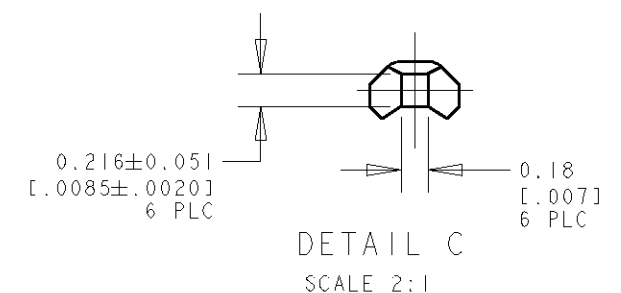
- NOTES:
- 1 SHELLS: BRASS  
CONTACTS: PHOSPHOR BRONZE  
HOUSING: POLYESTER, UL 94V-0 RATED, BLACK
  - 2 0.76um [0.00030] MIN GOLD ON MATING END FOR A LENGTH OF 1.37[0.054] MIN ON INSIDE, 2.540um [0.000100] MIN TIN FOR A LENGTH OF 3.30um [0.130] MIN FROM OPPOSITE END, ALL OVER 1.27um [0.000050] MIN NICKEL.
  - 3 2.54um [0.000100] MIN TIN OVER 1.27um [0.000200] MIN NICKEL OR COPPER.
  - 4 3.81um [0.000150] MIN TIN OVER 2.54um [0.000050] MIN COPPER.
  - 5. RECEPTACLE ASSEMBLY MATES WITH 6 PIN, Ø8.99±0.10 [0.354±0.004] PLUG.



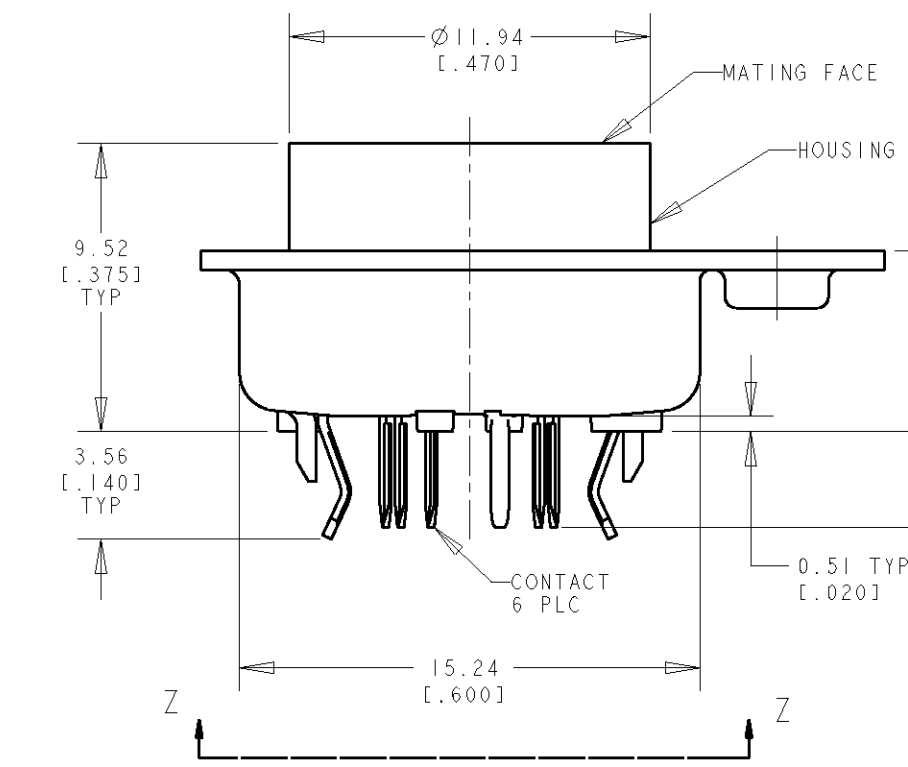
PANEL CUT-OUT LAYOUT  
SCALE 2:1



RECOMMENDED PC BOARD LAYOUT  
BOTTOM VIEW



DETAIL C  
SCALE 2:1



4	3	2	5750131-2
OUTER SHELL FINISH	INNER SHELL FINISH	CONTACT FINISH	PART NO.

THIS DRAWING IS A CONTROLLED DOCUMENT FOR AMP INCORPORATED. IT IS SUBJECT TO CHANGE AND THE CONTROLLING ENGINEERING ORGANIZATION SHOULD BE CONTACTED FOR THE LATEST REVISION.		DWN WY LEE 21JUN2005	<b>tyco</b> Electronics Tyco Electronics Singapore Pte. Ltd.	
DIMENSIONS: mm [INCHES]	TOLERANCES UNLESS OTHERWISE SPECIFIED:	CHK YJ SEE	NAME RECEPTACLE ASSEMBLY, 6 POSITION, LOW FLANGE, SHIELDED, VERTICAL MOUNT, MINIATURE CIRCULAR DIN, LF	
	0 PLC ±	APVD SF L FONG	SIZE A3	CAGE CODE 00779
	1 PLC ±	PRODUCT SPEC	DRAWING NO 5750131	SCALE 5:1
MATERIAL	2 PLC ±0.13 [0.005]	APPLICATION SPEC	SHEET	OF
	3 PLC ±	WEIGHT	REV	0
FINISH	4 PLC ±	CUSTOMER DRAWING		
	ANGLES ±			
	SEE TABLE			

# Mouser Electronics

Authorized Distributor

Click to View Pricing, Inventory, Delivery & Lifecycle Information:

[TE Connectivity:](#)

[5750131-2](#)