

Solid-state relay module - PLC-OSC- 24DC/ 24DC/ 2 - 2966634

Please be informed that the data shown in this PDF Document is generated from our Online Catalog. Please find the complete data in the user's documentation. Our General Terms of Use for Downloads are valid (<http://phoenixcontact.com/download>)




PLC-INTERFACE, consisting of PLC-BSC.../21 basic terminal block with screw connection and plug-in miniature solid-state relay, for mounting on DIN rail NS 35/7,5, 1 N/O contact, input: 24 V DC, output: 3 - 33 V DC/3 A

Your advantages

- ✓ Slim design
- ✓ Efficient connection to system cabling using V8 adapter
- ✓ RT III sealed solid-state relay
- ✓ Integrated input circuit
- ✓ Functional plug-in bridges
- ✓ Zero voltage switch at AC output
- ✓ High switching power



Key Commercial Data

| | |
|--------------|---|
| Packing unit | 10 pc |
| GTIN |  4 017918 130480 |
| GTIN | 4017918130480 |
| Sales Key | 08 |

Technical data

Note

| | |
|-------------------------|---|
| Utilization restriction | EMC: class A product, see manufacturer's declaration in the download area |
|-------------------------|---|

Dimensions

| | |
|--------|--------|
| Width | 6.2 mm |
| Height | 80 mm |
| Depth | 94 mm |

Ambient conditions

| | |
|---------------------------------|------------------|
| Ambient temperature (operation) | -25 °C ... 60 °C |
|---------------------------------|------------------|

Solid-state relay module - PLC-OSC- 24DC/ 24DC/ 2 - 2966634

Technical data

Ambient conditions

| | |
|---|------------------|
| Ambient temperature (storage/transport) | -25 °C ... 70 °C |
|---|------------------|

Input data

| | |
|--|-----------------------------|
| Nominal input voltage U_N | 24 V DC |
| Input voltage range in reference to U_N | 0.8 ... 1.2 |
| Input voltage range | 19.2 V DC ... 28.8 V DC |
| Switching threshold "0" signal in reference to U_N | ≤ 0.4 |
| Switching threshold "1" signal in reference to U_N | ≥ 0.8 |
| Typical input current at U_N | 8.5 mA |
| Typical response time | 20 μ s (at U_N) |
| Typical turn-off time | 300 μ s (at U_N) |
| Operating voltage display | Yellow LED |
| Type of protection | Reverse polarity protection |
| | Free-wheeling diode |
| Protective circuit/component | Polarity protection diode |
| | Damping diode |
| Transmission frequency | 300 Hz |
| Power dissipation for nominal condition | 0.2 W |

Output data

| | |
|--|-----------------------------|
| Output voltage range | 3 V DC ... 33 V DC |
| Limiting continuous current | 3 A (see derating curve) |
| Maximum inrush current | 15 A (10 ms) |
| Voltage drop at max. limiting continuous current | ≤ 200 mV |
| Output circuit | 2-wire, floating |
| Type of protection | Reverse polarity protection |
| | Surge protection |
| Protective circuit/component | Polarity protection diode |

Connection data

| | |
|----------------------------------|--|
| Connection name | Input side |
| Connection method | Screw connection |
| Stripping length | 8 mm |
| Screw thread | M3 |
| Conductor cross section solid | 0.14 mm ² ... 2.5 mm ² |
| Conductor cross section flexible | 0.14 mm ² ... 2.5 mm ² |
| Conductor cross section AWG | 26 ... 14 |

Connection data 2

| | |
|-------------------|------------------|
| Connection name | Output side |
| Connection method | Screw connection |
| Stripping length | 8 mm |
| Screw thread | M3 |

Solid-state relay module - PLC-OSC- 24DC/ 24DC/ 2 - 2966634

Technical data

Connection data 2

| | |
|----------------------------------|--|
| Conductor cross section solid | 0.14 mm ² ... 2.5 mm ² |
| Conductor cross section flexible | 0.14 mm ² ... 2.5 mm ² |
| Conductor cross section AWG | 26 ... 14 |

General

| | |
|--|---------------------------|
| Test voltage input/output | 2.5 kV (50 Hz, 1 min.) |
| Mounting position | any |
| Assembly instructions | In rows with zero spacing |
| Operating mode | 100% operating factor |
| Flammability rating according to UL 94 | V0 |

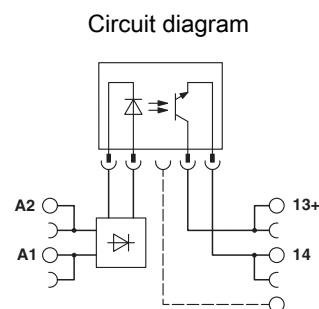
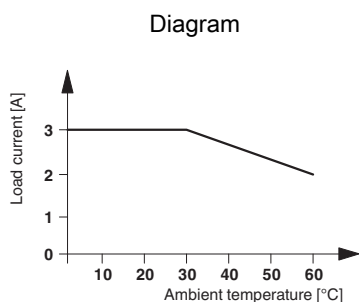
Standards and Regulations

| | |
|--|-----------------------|
| Connection in acc. with standard | CUL |
| Designation | Standards/regulations |
| Standards/regulations | IEC 60664 |
| | EN 50178 |
| Insulation | Basic insulation |
| Degree of pollution | 2 |
| Overvoltage category | III |
| Flammability rating according to UL 94 | V0 |

Environmental Product Compliance

| | |
|------------|---|
| China RoHS | Environmentally Friendly Use Period = 50 |
| | For details about hazardous substances go to tab "Downloads", Category "Manufacturer's declaration" |

Drawings



Approvals

Approvals

Approvals

PRS / UL Listed / UL Recognized / cUL Recognized / cUL Listed / cULus Recognized / cULus Listed

Solid-state relay module - PLC-OSC- 24DC/ 24DC/ 2 - 2966634

Approvals

Ex Approvals

Approval details

| | | | |
|-----|--|---|-------------------|
| PRS | | http://www.prs.pl/ | TE/2109/880590/16 |
|-----|--|---|-------------------|

| | | | |
|-----------|--|---|---------------|
| UL Listed | | http://database.ul.com/cgi-bin/XYV/template/LISEXT/1FRAME/index.htm | FILE E 172140 |
|-----------|--|---|---------------|

| | | | |
|---------------|--|---|---------------|
| UL Recognized | | http://database.ul.com/cgi-bin/XYV/template/LISEXT/1FRAME/index.htm | FILE E 238705 |
|---------------|--|---|---------------|

| | | | |
|----------------|--|---|---------------|
| cUL Recognized | | http://database.ul.com/cgi-bin/XYV/template/LISEXT/1FRAME/index.htm | FILE E 238705 |
|----------------|--|---|---------------|

| | | | |
|------------|--|---|---------------|
| cUL Listed | | http://database.ul.com/cgi-bin/XYV/template/LISEXT/1FRAME/index.htm | FILE E 172140 |
|------------|--|---|---------------|

| | | | |
|------------------|--|--|--|
| cULus Recognized | | | |
|------------------|--|--|--|

| | | | |
|--------------|--|--|--|
| cULus Listed | | | |
|--------------|--|--|--|

Phoenix Contact 2019 © - all rights reserved
<http://www.phoenixcontact.com>

PHOENIX CONTACT GmbH & Co. KG
Flachsmarktstr. 8
32825 Blomberg
Germany
Tel. +49 5235 300
Fax +49 5235 3 41200
<http://www.phoenixcontact.com>