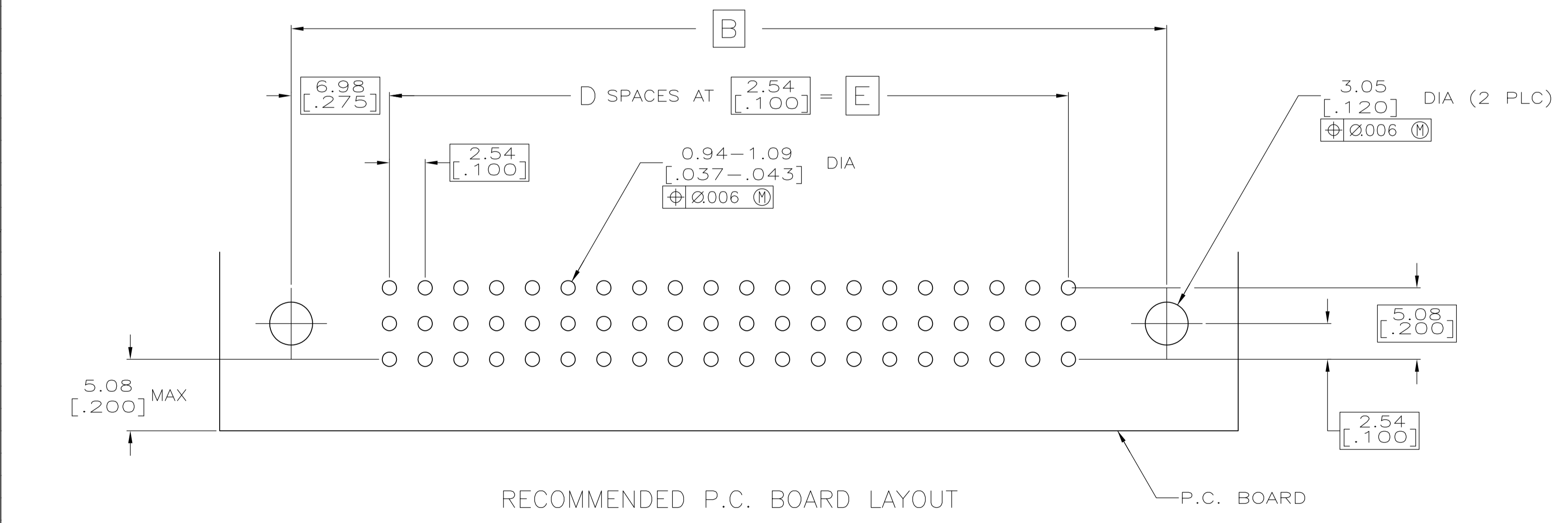
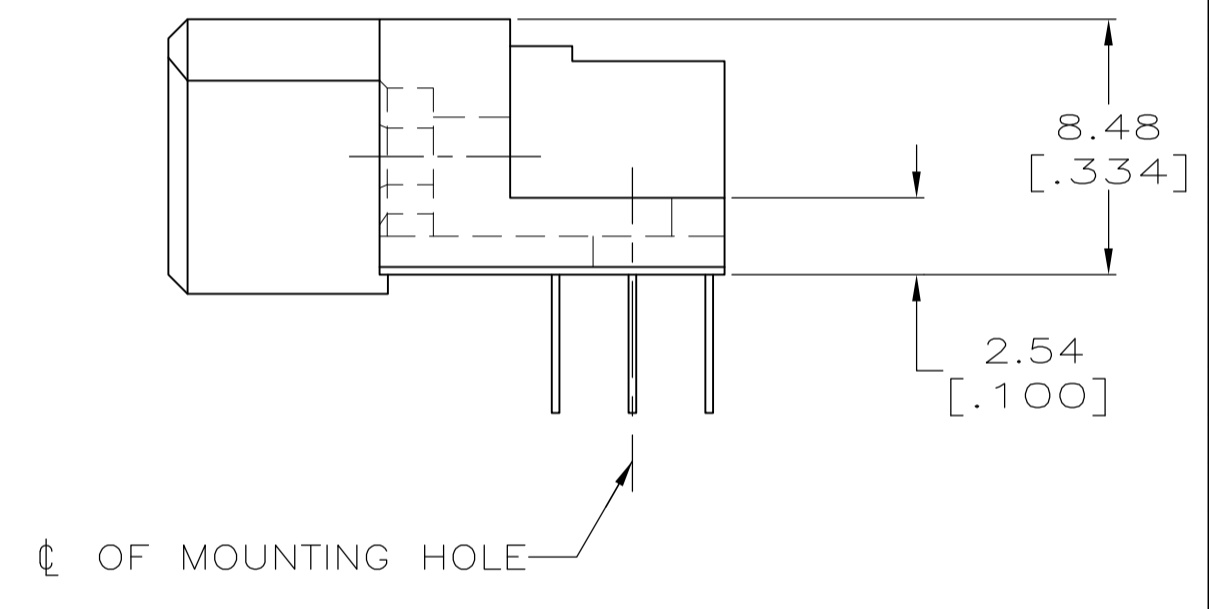
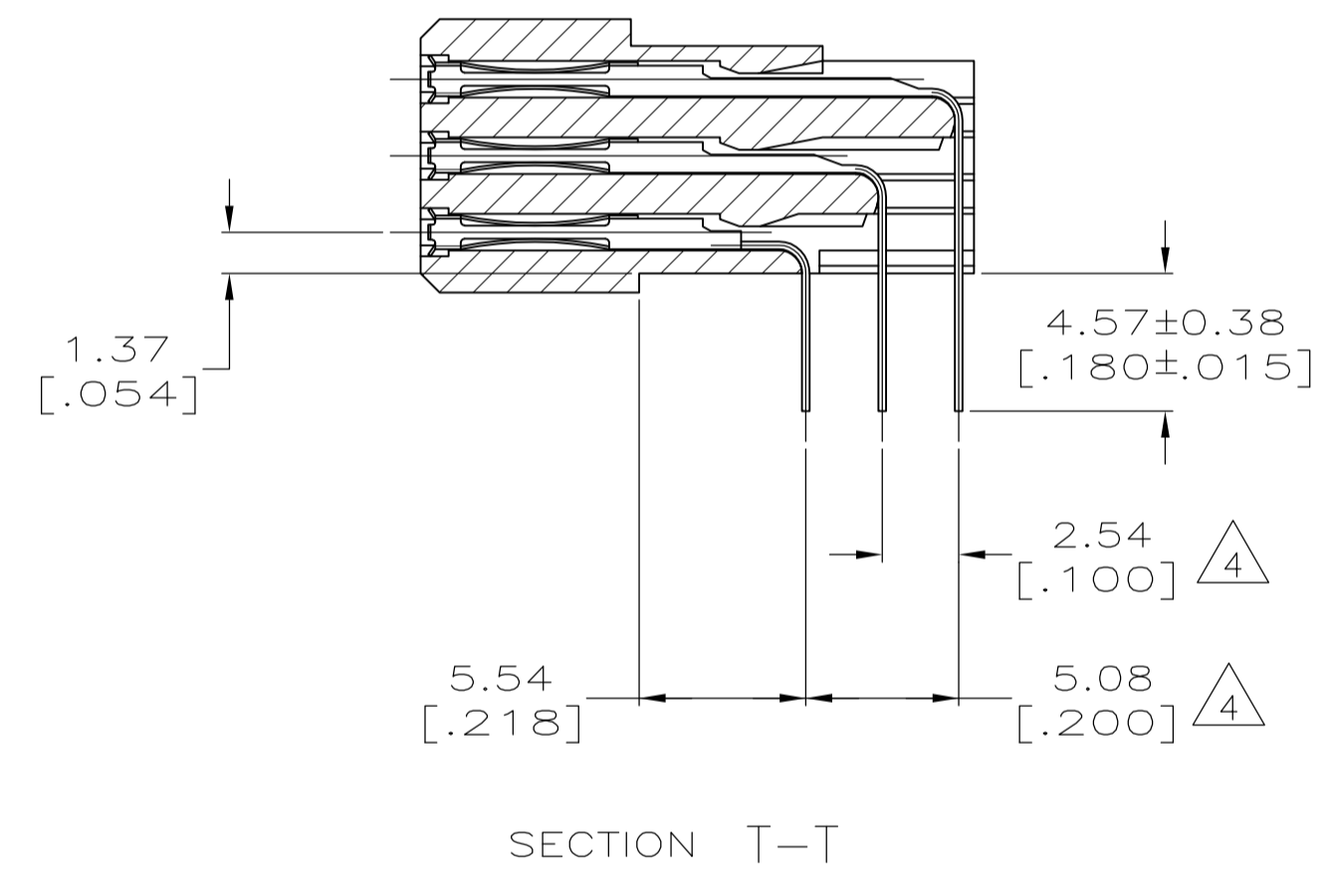
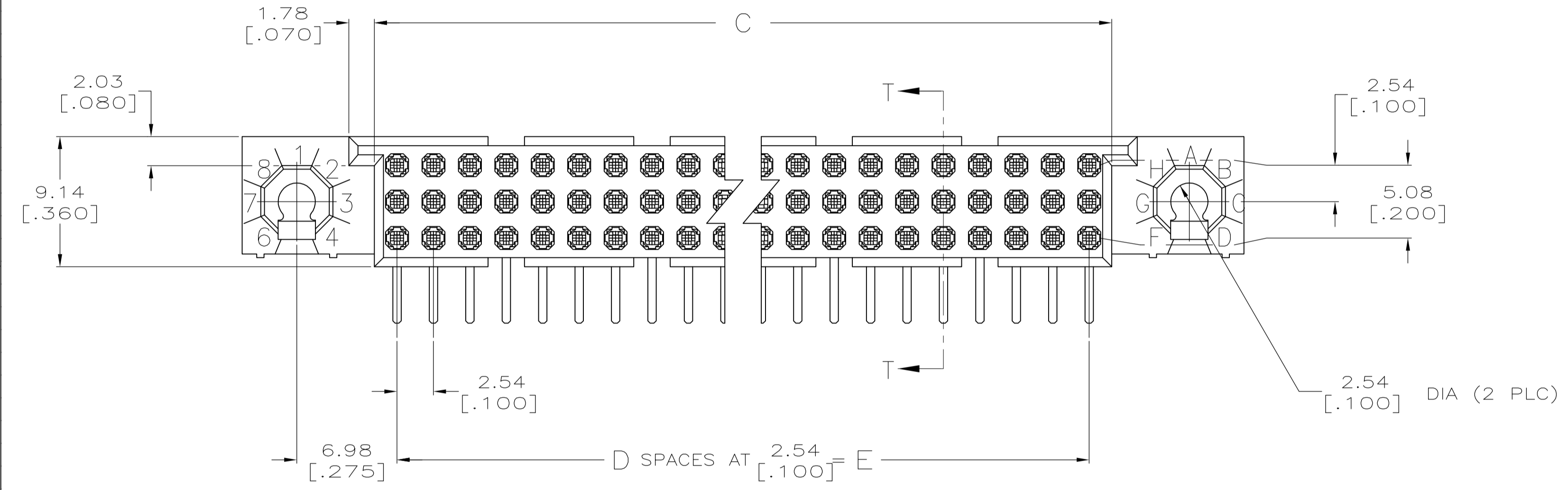
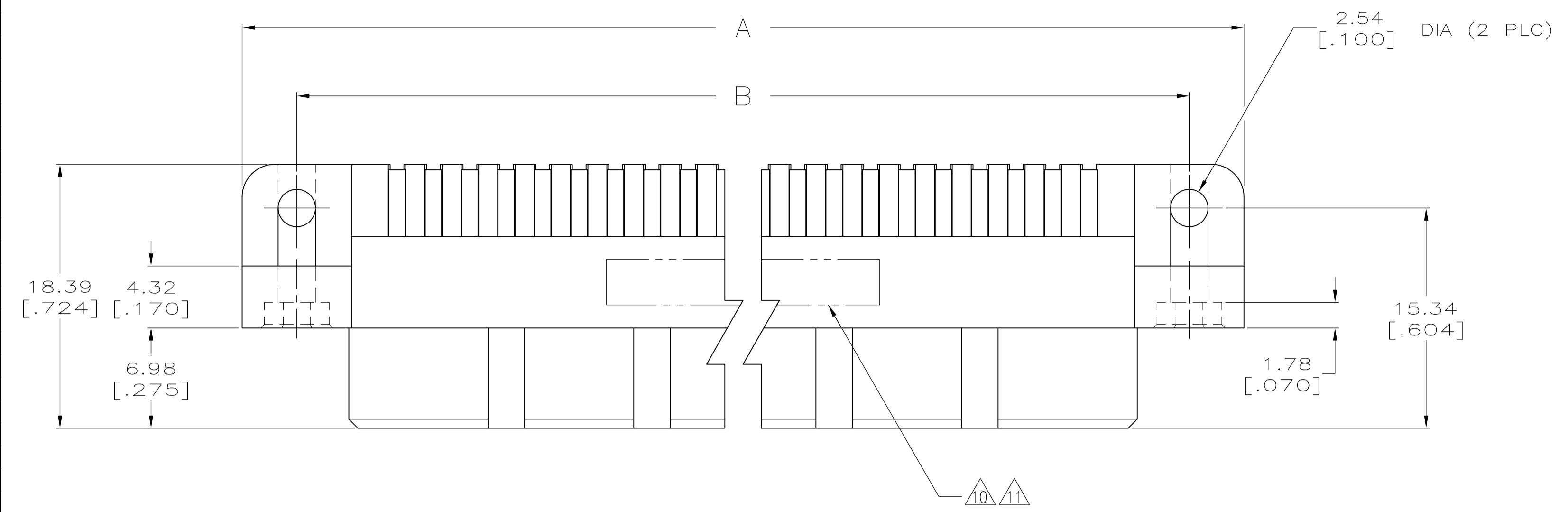


REVISIONS					
P	LTR	DESCRIPTION	DATE	DMN	APVD
AC	REVISED PER	ECO-16-016096	9NOV2016	DS	SY



THIS DRAWING IS A CONTROLLED DOCUMENT.		DWG: R.K. SEIFRIED 06/13/90	TE Connectivity											
DIMENSIONS: mm [INCHES]		CHK: G.SKIPPER 01/24/92												
TOLERANCES UNLESS OTHERWISE SPECIFIED:		APVD: -	NAME: HDI, 3 ROW, RECEPTACLE ASSEMBLY, 4.57 [0.180] LONG SOLDER TAILS											
<table border="1"> <tr><td>0 PLC</td><td>± -</td></tr> <tr><td>1 PLC</td><td>± -</td></tr> <tr><td>2 PLC</td><td>± -</td></tr> <tr><td>3 PLC</td><td>± 0.13 [0.005]</td></tr> <tr><td>4 PLC</td><td>± -</td></tr> </table>		0 PLC	± -	1 PLC	± -	2 PLC	± -	3 PLC	± 0.13 [0.005]	4 PLC	± -	PRODUCT SPEC: -	SIZE: A1	
0 PLC	± -													
1 PLC	± -													
2 PLC	± -													
3 PLC	± 0.13 [0.005]													
4 PLC	± -													
MATERIAL:		APPLICATION SPEC: -	WEIGHT: 0	RESTRICTED TO: -										
FINISH:		CUSTOMER DRAWING	SCALE: 4:1	SHEET 1 OF 2										
		DRAWING NO: 00779	DRAWING NO: 532431	REV: 2										

REVISIONS				
P	LTR	DESCRIPTION	DATE	APPV
-	SEE SHEET 1		-	-

- ① HOUSING MATERIAL: THERMOPLASTIC, COLOR-NATURAL.
- ② CONTACT MATERIAL: COPPER ALLOY.
- ③ FINISH:
MATING AREA: MEETS THE PERFORMANCE REQUIREMENTS OF PRODUCT SPECIFICATION 108-9063; BASED ON TELCORDIA DR-1217-CORE APPLICATIONS IN UNCONTROLLED ENVIRONMENTS.
SOLDER TAILS AREA: TIN-LEAD PLATED.
- ④ SOLDER TAILS MUST FIT HOLE PATTERN AS SHOWN ON THE RECOMMENDED P.C. BOARD LAYOUT.
- 5. DIMENSIONS IN BRACKETS ARE IN INCHES.
- △ PART NUMBER IS OBSOLETE.
- ⑧ OBSOLETE PARTS: OBSOLETE CIS STREAMLINING PER D.RENAUD/D.SINISI
- ⑨ NO CONTACT LUBRICANT
- ⑩ AMP, PART NUMBER, AND DATE CODE
- ⑪ OEFDO-983-9910-308, REV __, 00779 AND DATE CODE, ONLY FOR PART NUMBER 2-532431-5
- ⑫ PART NUMBER IS FOR ROCKWELL COLLINS.
- ⑬ FINISH:
CONTACT FINISH: .00127-.00254 [.000050-.000100] NICKEL UNDERPLATE ALL OVER; .000762 [.000030] GOLD PLATE IN CONTACT AREA, TIN-LEAD PLATED POSTS.

⑬	210.82 [8.300]	83	213.97 [8.424]	224.79 [8.850]	232.41 [9.150]	252	4-532431-9
⑬	200.66 [7.900]	79	203.81 [8.024]	214.63 [8.450]	222.25 [8.750]	240	4-532431-3
⑬	175.26 [6.900]	69	178.41 [7.024]	189.23 [7.450]	196.85 [7.750]	210	4-532431-1
⑬	149.86 [5.900]	59	153.01 [6.024]	163.83 [6.450]	171.45 [6.750]	180	3-532431-9
⑬	99.06 [3.900]	39	102.21 [4.024]	113.03 [4.450]	120.65 [4.750]	120	3-532431-5
⑬	60.96 [2.400]	24	64.11 [2.524]	74.93 [2.950]	82.55 [3.250]	75	3-532431-1
⑬⑫⑪⑩⑨	60.96 [2.400]	24	64.11 [2.524]	74.93 [2.950]	82.55 [3.250]	75	2-532431-5
⑬	27.94 [1.100]	11	31.09 [1.224]	41.91 [1.650]	49.53 [1.950]	36	2-532431-4
△	48.26 [1.900]	19	51.41 [2.024]	62.23 [2.450]	69.85 [2.750]	60	2-532431-3
⑬	43.18 [1.700]	17	46.33 [1.824]	57.15 [2.250]	64.77 [2.550]	54	2-532431-2
△	144.78 [5.700]	57	147.93 [5.824]	158.75 [6.250]	166.37 [6.550]	174	2-532431-1
△	81.28 [3.200]	-32	84.43 [3.324]	95.25 [3.750]	102.87 [4.050]	-99	2-532431-0
△	210.82 [8.300]	83	213.97 [8.424]	224.79 [8.850]	232.41 [9.150]	252	1-532431-9
△⑦⑥	243.84 [9.600]	96	246.99 [9.724]	257.81 [10.150]	265.43 [10.450]	291	1-532431-8
△⑥⑤	251.46 [9.900]	-99	254.61 [10.024]	265.43 [10.450]	273.05 [10.750]	-300	1-532431-7
△⑥④	238.76 [9.400]	-94	241.91 [9.524]	252.73 [9.950]	260.35 [10.250]	-285	1-532431-6
△⑥③	226.06 [8.900]	-89	229.21 [9.024]	240.03 [9.450]	247.65 [9.750]	-270	1-532431-5
△⑥②	213.36 [8.400]	-84	216.51 [8.524]	227.33 [8.950]	234.95 [9.250]	-255	1-532431-4
△⑥	200.66 [7.900]	79	203.81 [8.024]	214.63 [8.450]	222.25 [8.750]	240	1-532431-3
△⑧ OBSOLETE	187.96 [7.400]	74	191.11 [7.524]	201.93 [7.950]	209.55 [8.250]	225	1-532431-2
△	175.26 [6.900]	69	178.41 [7.024]	189.23 [7.450]	196.85 [7.750]	210	1-532431-1
△	162.56 [6.400]	-64	165.71 [6.524]	176.53 [6.950]	184.15 [7.250]	-95	1-532431-0
△	149.86 [5.900]	59	153.01 [6.024]	163.83 [6.450]	171.45 [6.750]	180	532431-9
△	137.16 [5.400]	54	140.31 [5.524]	151.13 [5.950]	158.75 [6.250]	165	532431-8
△	124.46 [4.900]	49	127.61 [5.024]	138.43 [5.450]	146.05 [5.750]	150	532431-7
△	111.76 [4.400]	-44	114.91 [4.524]	125.73 [4.950]	133.35 [5.250]	-35	532431-6
△	99.06 [3.900]	39	102.21 [4.024]	113.03 [4.450]	120.65 [4.750]	120	532431-5
△	86.36 [3.400]	-34	89.51 [3.524]	100.33 [3.950]	107.95 [4.250]	-95	532431-4
△	78.74 [3.100]	31	81.89 [3.224]	92.71 [3.650]	100.33 [3.950]	96	532431-3
△	73.66 [2.900]	-29	76.81 [3.024]	87.63 [3.450]	95.25 [3.750]	-90	532431-2
△	60.96 [2.400]	24	64.11 [2.524]	74.93 [2.950]	82.55 [3.250]	75	532431-1
	E	D	C	B	A	POSN	PART NUMBER

THIS DRAWING IS A CONTROLLED DOCUMENT. **STE** TE Connectivity

DIMENSIONS: mm [INCHES] TOLERANCES UNLESS OTHERWISE SPECIFIED:

0. PLC	± .01
1. PLC	± .01
2. PLC	± .01
3. PLC	± .013 [.005]
4. PLC	± .01
ANGLES	± .5°

MATERIAL: ①② FINISH: ③④

APPROVED: R.K. SEIFRIED 06/13/90
 CHK: G.SKIPPER 01/24/92

PRODUCT SPEC: HDI, 3 ROW, RECEPTACLE ASSEMBLY, 4.57 [180] LONG SOLDER TAILS

SIZE: A1 CASE CODE: 00779 DRAWING NO: 532431

WEIGHT: -

CUSTOMER DRAWING SCALE: 4:1 SHEET 2 OF 2 REV. AC

Mouser Electronics

Authorized Distributor

Click to View Pricing, Inventory, Delivery & Lifecycle Information:

[TE Connectivity:](#)

[532431-1](#)