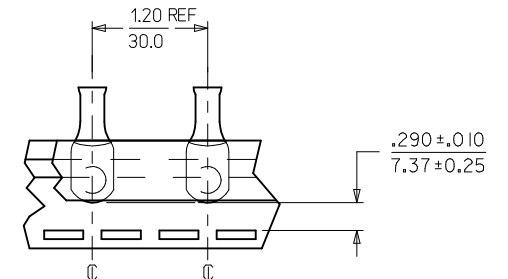
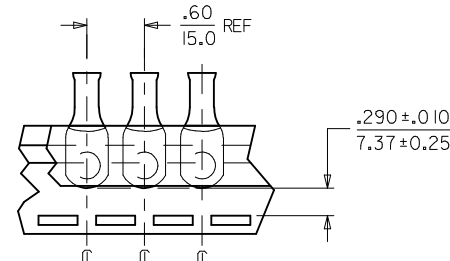
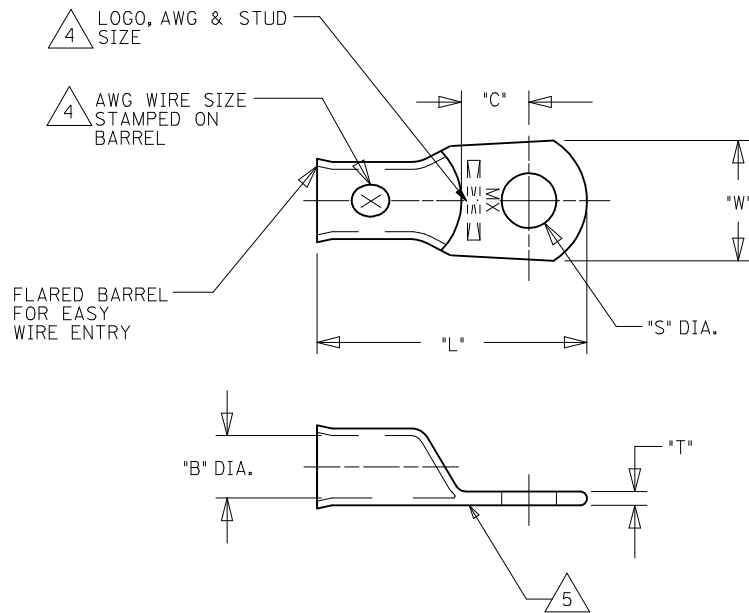


13	12	11	10	9	8	7	6	5	4	3	2	1				
UNPLATED MATERIAL NUMBER	UNPLATED ENG. NUMBER	UNPLATED MAT. NO. ON TAPE	UNPLATED ENG. NO. ON TAPE	PLATED MATERIAL NUMBER	PLATED ENGINEERING NUMBER	PLATED MAT. NO. ON TAPE	PLATED ENG. NO ON TAPE	SEE DETAIL	STUD SIZE	WIRE RANGE	"S"	"L"	"W"	"C"	"B"	"T"
J	1922 I0408	BCL-8 I0	190820012 BCL-8 I0T	1922 I0223	BCL-8 I0-PL	190820011	BCL-8 I0-PLT	A	10/4.8mm	8 AWG/10mm ²	.214/5.45	1.187/30.15	.438/11.13	.376/9.55	.185/4.70	.070/1.78
	1922 I0409	BCL-8 I4	190820014	BCL-8 I4T	1922 I0224	BCL-8 I4-PL	190820013	BCL-8 I4-PLT	A	1/4"/M6	8 AWG/10mm ²	.278/7.06	1.187/30.15	.438/11.13	.376/9.55	.185/4.70
	1922 I0562	BCL-8 I4-WP	---	---	1922 I0563	BCL-8 I4-WP-PL	---	---	---	1/4"/M6	8 AWG/10mm ²	.278/7.06	1.313/33.35	.594/15.09	.422/10.72	.185/4.70
	1922 I0411	BCL-85 I6	190820017 BCL-85 I6T	1922 I0225	BCL-85 I6-PL	---	---	A	5/16"/M8	8 AWG/10mm ²	.340/8.63	1.187/30.15	.438/11.13	.376/9.55	.185/4.70	
	1922 I0482	BCL-85 I6-WP	---	---	1922 I0483	BCL-85 I6-WP-PL	190820016	BCL-85 I6-PLT	B	5/16"/M8	8 AWG/10mm ²	.340/8.63	1.313/33.35	.594/15.09	.422/10.72	.185/4.70
	1922 I0410	BCL-838-WP	190820015	BCL-838-WPT	1922 I0226	BCL-838-WP-PL	192210566	BCL-838-WP-PLT	B	3/8"/M9	8 AWG/10mm ²	.400/10.16	1.313/33.35	.594/15.09	.422/10.72	.185/4.70
I	1922 I0481	BCL-838-XWP	---	---	1922 I0484	BCL-838-XWP-PL	---	---	---	3/8"/M9	8 AWG/10mm ²	.400/10.16	1.469/37.31	.766/19.46	.394/10.01	.070/1.78
	1922 I0415	BCL-8 I2-XWP	---	---	1922 I0414	BCL-8 I2-XWP-PL	---	---	---	1/2"/M12	8 AWG/10mm ²	.520/13.21	1.469/37.31	.766/19.46	.394/10.01	.070/1.78
	1922 I0425	BCL-6 I0	---	---	1922 I0424	BCL-6 I0-PL	190820003	BCL-6 I0-PLT	B	10/4.8mm	6 AWG/16mm ²	.214/5.45	1.281/32.54	.438/11.13	.381/9.68	.075/1.90
	1922 I0406	BCL-6 I4-WP	190820006 BCL-6 I4T	1922 I0227	BCL-6 I4-WP-PL	190820005	BCL-6 I4-PLT	B	1/4"/M6	6 AWG/16mm ²	.278/7.06	1.406/35.72	.594/15.09	.427/10.85	.232/5.89	
	1922 I0494	BCL-6 I4	---	---	1922 I0495	BCL-6 I4-PL	192210498 BCL-6 I4-PLT	B	1/4"/M6	6 AWG/16mm ²	.278/7.06	1.281/32.54	.438/11.13	.381/9.68	.232/5.89	
	1922 I0407	BCL-65 I6-WP	---	---	1922 I0228	BCL-65 I6-WP-PL	190820009	BCL-65 I6-PLT	B	5/16"/M8	6 AWG/16mm ²	.340/8.63	1.406/35.72	.594/15.09	.427/10.85	.232/5.89
	1922 I0493	BCL-65 I6	190820010	BCL-65 I6T	1922 I0492	BCL-65 I6-PL	192210499 BCL-65 I6-PLT	B	5/16"/M8	6 AWG/16mm ²	.340/8.63	1.281/32.54	.438/11.13	.381/9.68	.232/5.89	
H	1922 I0384	BCL-638-WP	190820008 BCL-638T	1922 I0229	BCL-638-WP-PL	190820007	BCL-638-PLT	B	3/8"/M9	6 AWG/16mm ²	.400/10.16	1.406/35.72	.594/15.09	.427/10.85	.232/5.89	
	1922 I0569	BCL-638-XWP	---	---	1922 I0568	BCL-638-XWP-PL	---	---	---	3/8"/M9	6 AWG/16mm ²	.400/10.16	1.563/39.70	.766/19.46	.472/11.99	.080/2.03
	1922 I0417	BCL-6 I2-XWP	---	---	1922 I0416	BCL-6 I2-XWP-PL	190820004	BCL-6 I2-PLT	B	1/2"/M12	6 AWG/16mm ²	.520/13.21	1.563/39.70	.766/19.46	.472/11.99	.080/2.03



DETAIL A

DETAIL B

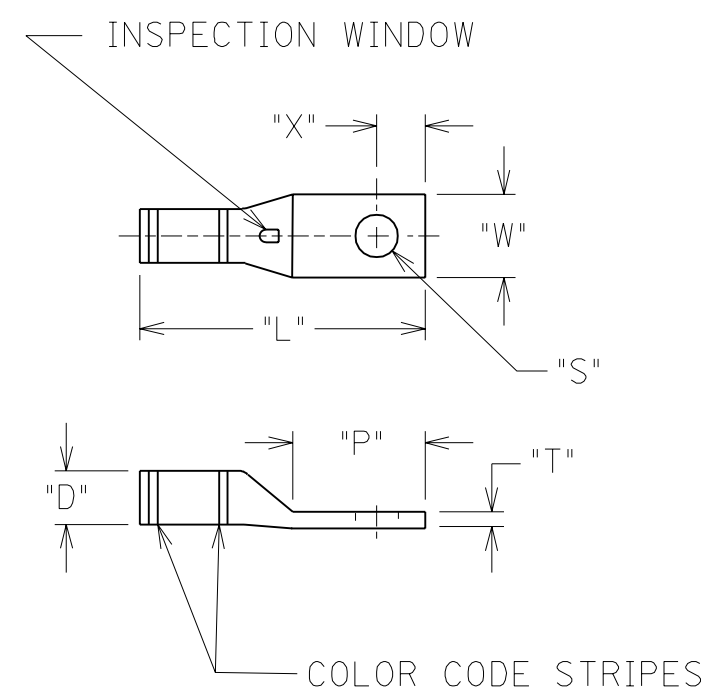
SALES DRAWING

- NOTES:
- FOR INSPECTION SIGHT HOLE, PLEASE CONSULT FACTORY.
 - OTHER STUD SIZES MAY BE AVAILABLE, PLEASE CONSULT FACTORY.
 - MATERIAL: COPPER
PLATING: TIN
 - MARKINGS CAN BE AT EITHER LOCATION SHOWN.
 - IF TONGUE IS TO BE BENT AT ANY ANGLE, IT MUST BE BENT AROUND A RADIUS ONE HALF THE TONGUE THICKNESS.
 - ALL PARTS ARE ROHS COMPLIANT.

CORRECTED 'C' DIMS EC NO: IFG2014-0913 DRWNG: JASO1 2013/11/18 CHKD: JACNEIL 2013/11/18 APPR: JACNEIL 2013/12/01 L2	DESCRIPTION REV	QUALITY SYMBOLS ▽=0 ▽=0	GENERAL TOLERANCES (UNLESS SPECIFIED) <table border="1"> <tr> <th></th> <th>mm</th> <th>INCH</th> </tr> <tr> <td>4 PLACES</td> <td>± ---</td> <td>± ---</td> </tr> <tr> <td>3 PLACES</td> <td>± ---</td> <td>± ---</td> </tr> <tr> <td>2 PLACES</td> <td>± ---</td> <td>± ---</td> </tr> <tr> <td>1 PLACE</td> <td>± ---</td> <td>± ---</td> </tr> <tr> <td colspan="3">ANGULAR ± ---°</td> </tr> </table>		mm	INCH	4 PLACES	± ---	± ---	3 PLACES	± ---	± ---	2 PLACES	± ---	± ---	1 PLACE	± ---	± ---	ANGULAR ± ---°			DIMENSION STYLE IN/MM	SCALE ---	DESIGN UNITS INCH	THIRD ANGLE PROJECTION
			mm	INCH																					
4 PLACES	± ---	± ---																							
3 PLACES	± ---	± ---																							
2 PLACES	± ---	± ---																							
1 PLACE	± ---	± ---																							
ANGULAR ± ---°																									
DRAFT WHERE APPLICABLE MUST REMAIN WITHIN DIMENSIONS			DRAWN BY DMYRICK DATE 2005/5/3	CHECKED BY RDEROSS DATE 2005/5/3	TITLE EYELET STYLE COPPER TERMINALS 8 AND 6 AWG LUGS																				
			APPROVED BY RDEROSS DATE 2005/5/3	MATERIAL NO. SEE CHART		DOCUMENT NO. SD-19221-001	SHEET NO. 1 OF 1																		
THIS DRAWING CONTAINS INFORMATION THAT IS PROPRIETARY TO MOLEX INCORPORATED AND SHOULD NOT BE USED WITHOUT WRITTEN PERMISSION																									

	10	9	8	7	6	5	4	3	2	1		
	MATERIAL NUMBER	ENGINEERING NUMBER	AWG RANGE	COLOR CODE	STUD SIZE	"S"	"L"	"W"	"P"	"X"	"D"	"T"
F	192210212	HDC-810-CC	8	RED	10	.214	1.125	.343	.531	.250	.250	.078
F	192210215	HDC-610-CC	6	BLUE	10	.214	1.187	.406	.562	.250	.281	.078
F	192210213	HDC-614-CC	6	BLUE	1/4	.278	1.187	.406	.562	.250	.281	.078
F	192210216	HDC-410-CC	4	GRAY	10	.214	1.343	.500	.640	.296	.359	.109
F	192210214	HDC-414-CC	4	GRAY	1/4	.278	1.343	.500	.640	.296	.359	.109
F	192210217	HDC-4516-CC	4	GRAY	5/16	.340	1.500	.500	.781	.296	.359	.109
F	192210218	HDC-214-CC	2	BROWN	1/4	.278	1.343	.609	.671	.296	.437	.125
F	192210219	HDC-2516-CC	2	BROWN	5/16	.340	1.343	.609	.671	.296	.437	.125
E	192210220	HDC-238-CC	2	BROWN	3/8	.400	1.750	.609	.968	.390	.437	.125
E	192210221	HDC-114-CC	1	GREEN	1/4	.278	1.640	.687	.750	.343	.484	.140
E	192210271	HDC-1516-CC	1	GREEN	5/16	.340	1.640	.687	.750	.343	.484	.140
E	192210272	HDC-138-CC	1	GREEN	3/8	.400	1.890	.687	1.000	.453	.484	.140
E	192210273	HDC-112-CC	1	GREEN	1/2	.520	1.890	.687	1.000	.453	.484	.140
D	192210274	HDC-1014-CC	1/0	PINK	1/4	.278	1.796	.765	.781	.375	.531	.140
D	192210275	HDC-10516-CC	1/0	PINK	5/16	.340	1.796	.765	.781	.375	.531	.140
D	192210276	HDC-1038-CC	1/0	PINK	3/8	.400	2.046	.765	1.031	.453	.531	.140
D	192210277	HDC-1012-CC	1/0	PINK	1/2	.520	2.046	.765	1.031	.453	.531	.140
D	192210278	HDC-2014-CC	2/0	BLACK	1/4	.278	1.953	.828	.828	.375	.578	.140
D	192210105	HDC-20516-CC	2/0	BLACK	5/16	.340	1.953	.828	.828	.375	.578	.140
D	192210106	HDC-2038-CC	2/0	BLACK	3/8	.400	2.203	.828	1.078	.453	.578	.140
D	192210107	HDC-2012-CC	2/0	BLACK	1/2	.520	2.203	.828	1.078	.453	.578	.140
D	192210108	HDC-3014-CC	3/0	ORANGE	1/4	.278	2.093	.906	.843	.375	.625	.140
D	192210109	HDC-30516-CC	3/0	ORANGE	5/16	.340	2.093	.906	.843	.375	.625	.140
D	192210110	HDC-3038-CC	3/0	ORANGE	3/8	.400	2.343	.906	1.093	.453	.625	.140
C	192210355	HDC-3012-CC	3/0	ORANGE	1/2	.520	2.343	.906	1.093	.453	.625	.140
C	192210356	HDC-4014-CC	4/0	PURPLE	1/4	.278	2.250	1.015	.875	.375	.703	.156
C	192210357	HDC-40516-CC	4/0	PURPLE	5/16	.340	2.250	1.015	.875	.375	.705	.156
C	192210358	HDC-4038-CC	4/0	PURPLE	3/8	.400	2.500	1.015	1.125	.453	.703	.156
C	192210359	HDC-4012-CC	4/0	PURPLE	1/2	.520	2.500	1.015	1.125	.453	.703	.156
B	192210360	HDC-25038-CC	250MCM	YELLOW	3/8	.400	2.609	1.140	1.140	.500	.781	.187
B	192210361	HDC-25012-CC	250MCM	YELLOW	1/2	.520	2.609	1.140	1.140	.500	.781	.187
B	192210362	HDC-30038-CC	300MCM	WHITE	3/8	.400	2.734	1.218	1.140	.500	.843	.187
B	192210363	HDC-30012-CC	300MCM	WHITE	1/2	.520	2.796	1.218	1.203	.546	.843	.187
B	192210364	HDC-30058-CC	300MCM	WHITE	5/8	.660	2.796	1.218	1.203	.546	.843	.187
B	192210365	HDC-35012-CC	350MCM	RED	1/2	.520	2.984	1.312	1.250	.546	.906	.203
B	192210366	HDC-35058-CC	350MCM	RED	5/8	.660	2.984	1.312	1.250	.546	.906	.203
B	192210367	HDC-40012-CC	400MCM	BLUE	1/2	.520	3.093	1.578	1.281	.546	.968	.218
B	192210368	HDC-40058-CC	400MCM	BLUE	5/8	.660	3.093	1.578	1.281	.546	.968	.218
B	192210369	HDC-50012-CC	500MCM	BROWN	1/2	.520	3.453	1.578	1.296	.546	1.093	.250
B	192210370	HDC-50058-CC	500MCM	BROWN	5/8	.660	3.453	1.578	1.406	.546	1.093	.250
A												
A												
A												

- NOTES:
1. MATERIAL: COPPER
2. PLATING: TIN
3. OTHER STUD SIZES MAY BE AVAILABLE, PLEASE CONSULT FACTORY.
4. UL, CSA, AND WIRE GAUGE PRINTED ON TERMINAL.
5. ALL DIMENSIONS ARE REFERENCE ONLY.



CUSTOMER DRAWING

A	RELEASE CUSTOMER DRAWING 05/11 ETC2000-0227 JH
LTR.	REVISIONS

DIMENSIONS SHOWN (METRIC) INCH		REVISE ONLY ON CAD SYSTEM													
UNLESS OTHERWISE SPECIFIED TOLERANCES: ANGULAR ± 1/2°		TITLE HEAVY DUTY COMPRESSION SITE HOLE TERMINALS STANDARD BARREL ONE HOLE													
<table border="1"> <thead> <tr> <th></th> <th>INCH</th> <th>METRIC</th> </tr> </thead> <tbody> <tr> <td>3 PLACE</td> <td>± ---</td> <td>± ---</td> </tr> <tr> <td>2 PLACE</td> <td>± ---</td> <td>± ---</td> </tr> <tr> <td>1 PLACE</td> <td>± ---</td> <td>± ---</td> </tr> </tbody> </table>			INCH	METRIC	3 PLACE	± ---	± ---	2 PLACE	± ---	± ---	1 PLACE	± ---	± ---	SHEET NO. DATE 94/02/14	
	INCH	METRIC													
3 PLACE	± ---	± ---													
2 PLACE	± ---	± ---													
1 PLACE	± ---	± ---													
DRAFT WHERE APPLICABLE MUST REMAIN WITHIN DIMENSIONS		molex ETC INC. PINELLAS PARK, FLA. 33781 U.S.A.													
DRWG. BY JH		PART NO. SEE CHART													
CHK'D. BY RWD		DRWG. NO. SD-19221-003													
APP'D. BY RWD		FILE NAME 19221003 DGN													
SCALE NO:NE		THIS DRAWING CONTAINS INFORMATION THAT IS PROPRIETARY TO MOLEX-ETC INC. AND SHOULD NOT BE USED WITHOUT WRITTEN PERMISSION.													
		DIV. SIZE B													