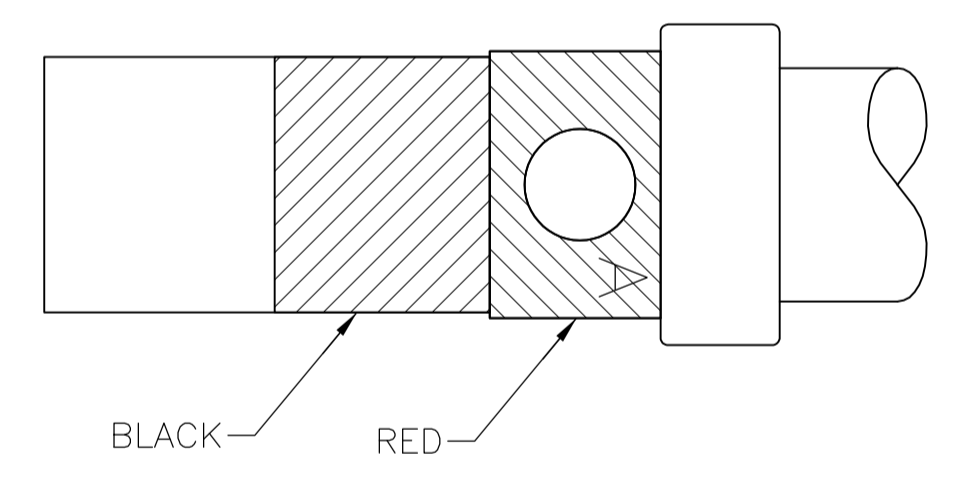
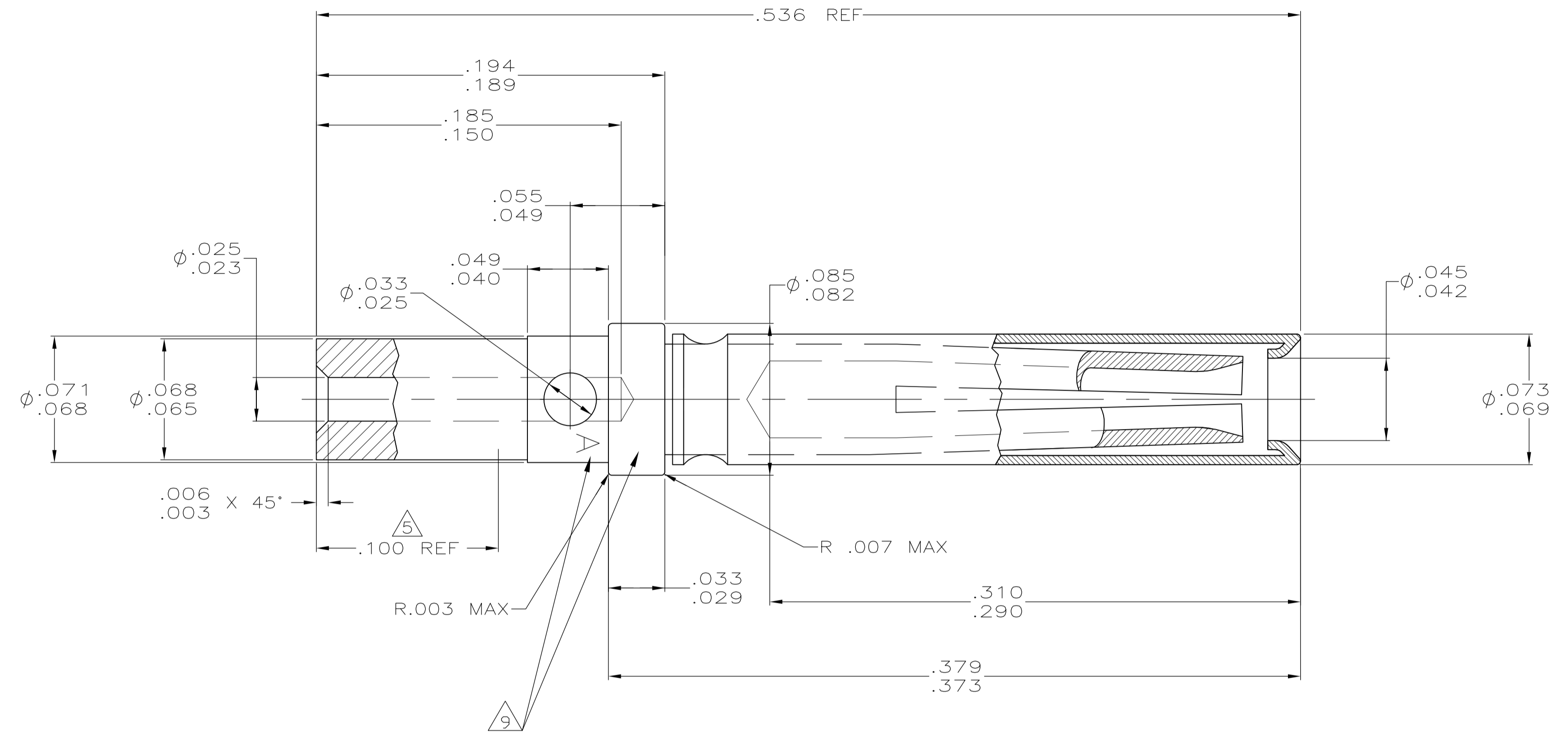
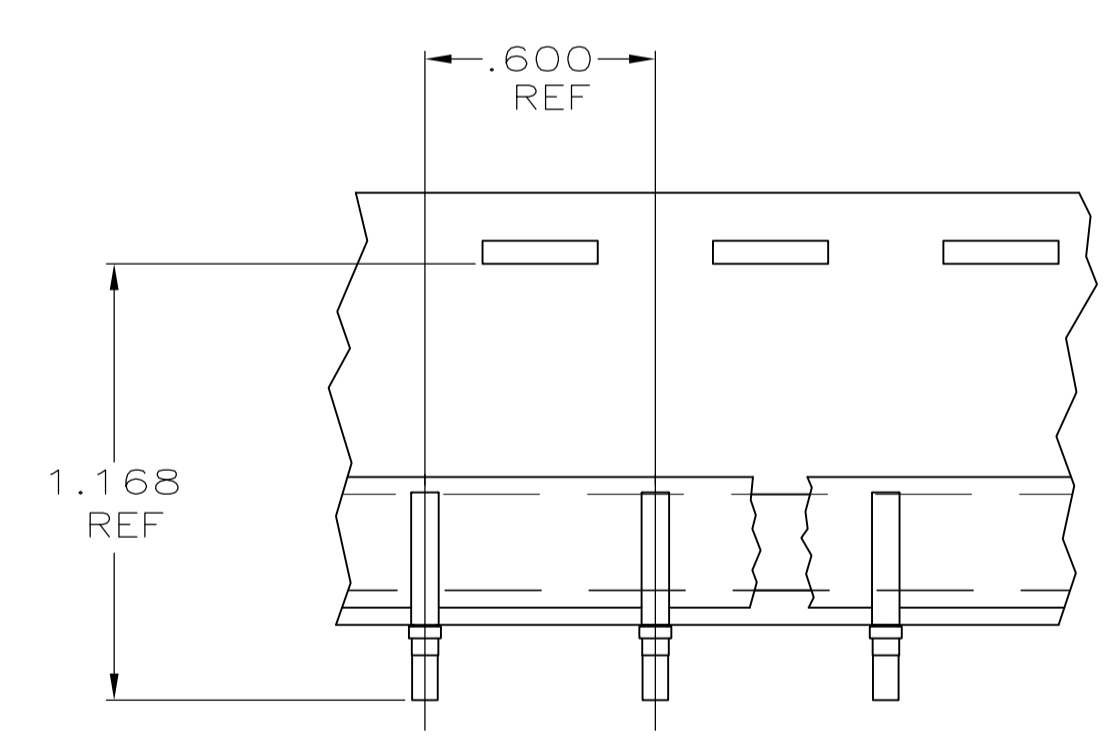


REVISIONS					
P	LTR	DESCRIPTION	DATE	DMN	APVD
G		REV PER ECO 16-001182	1-28-16	CT	RL



COLOR BANDS
PART NO 206795-3 ONLY



TAPE MOUNTED
PART NO 206795-2 ONLY
SCALE 2:1

1. ALL DIMENSIONS APPLY AFTER PLATING.
2. THIS CONTACT COMPLIES WITH MIL-C-24308/10, EXCEPT WIRE BARREL.
3. ALL DIAMETERS CONCENTRIC WITH EACH OTHER WITHIN .004 T.I.R.
4. ALL SURFACES HAVE $63\sqrt{}$ FINISH OR BETTER UNLESS OTHERWISE SPECIFIED.
5. POINT OF PLATING MEASUREMENT .100 FROM WIRE BARREL END OF CONTACT.
6. SLEEVE MAY BE CRIMPED OR DIMPLED ON TO CONTACT BODY.
7. OPTIONAL LOCATION FOR STAMPED LETTER "A"

RESTRICTED TO SPACE SYSTEMS LORAL	206795-6
RESTRICTED TO SPACE SYSTEMS LORAL	206795-5
SUPERSEDED BY -2 SAME AS -3 EXCEPT TAPE MOUNTED	206795-4
SAME AS -1 EXCEPT COLOR COATED	206795-3
SAME AS -1 EXCEPT TAPE MOUNTED	206795-2
AS SHOWN	206795-1
DESCRIPTION	PART NUMBER

THIS DRAWING IS A CONTROLLED DOCUMENT.

DMN C.C.THOMAS 1-17-03	APVD D.MILLER 1-17-03	NAME D.MILLER 1-17-03	RESTRICTED TO
DIMENSIONS: INCHES	TOLERANCES UNLESS OTHERWISE SPECIFIED:	APPLICATION SPEC	SIZE A1
0. PLC ± -	1. PLC ± -	WEIGHT	SCALE 20:1
2. PLC ± -	3. PLC ± -	CAGE CODE	SHEET 1 OF 1
4. PLC ± -	ANGLES ± °	DRAWING NO 00779C=206795	REV G
MATERIAL SEE CALOUT	FINISH SEE CALOUT	CUSTOMER DRAWING	

STE TE Connectivity
SOCKET CONTACT ASSY, SIZE 20 (FOR #26 & #28 WIRE)

Mouser Electronics

Authorized Distributor

Click to View Pricing, Inventory, Delivery & Lifecycle Information:

[TE Connectivity:](#)

[206795-3](#)