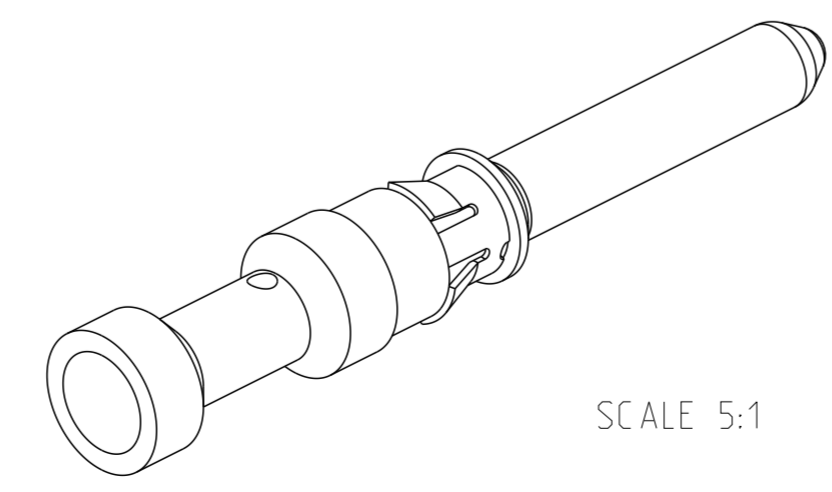
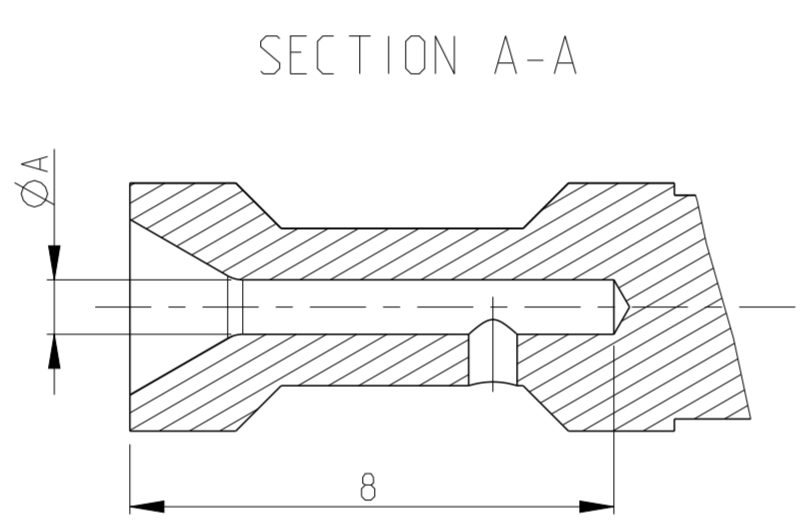
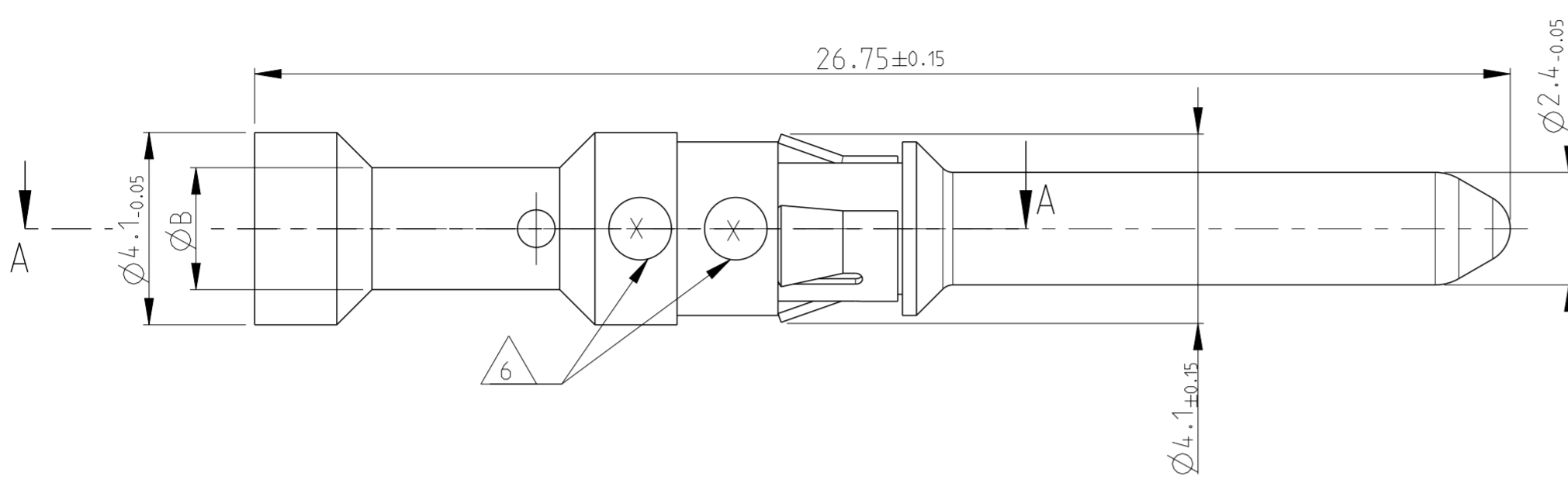


THIS DRAWING IS UNPUBLISHED. RELEASED FOR PUBLICATION 2006  
 © COPYRIGHT 2006 BY - ALL RIGHTS RESERVED.

REVISIONS			DATE	DWN	APVD
P	LTR	DESCRIPTION			
H2		REVISED PER ECO-11-005030	24MAR2011	RK	HMR
H3		ECR-16-016696	14SEP2017	GA	MKO



SCALE 5:1

NOTES:

- 1 MATERIAL SEE TABLE
- 2 SURFACE SEE TABLE
- 3 ASSEMBLY WEIGHT SEE TABLE
- 4 PACKAGING: 50 PIECES IN POLYBAG
- 5 PACKAGING: 500 PIECES IN POLYBAG & CARTON
- 6 CROSS-SECTION MARKING
- 7 NO VENTILATION HOLE REQUIRED AT CROSS SECTION >4 mm<sup>2</sup>
- 8 SUITABLE SOCKET CONTACT: PN 1105301
- 9 SUITABLE INSERTS: SERIES HVT
- 10 SUITABLE CRIMP TOOL: PN 1-1105851-8
- 11 SUITABLE INSERTION TOOL: PN 0-1102855-6
- 12 SUITABLE EXTRACTION TOOL: PN 0-1102855-3
- 13 STANDARDS: DIN EN 61984, DIN EN 60664-1
- 14 OBSOLETE

ASSEMBLY WEIGHT IN (Kg) 3		DESCRIPTION	MATERIAL	SURFACE	ØA	ØB	CROSS SECTION MARKING 6	ITEM NO
ØA	ØB							
0.00142	0.00144	Pin Contact 4.0 mm <sup>2</sup>	CuZn39Pb3 F43	GOLD PLATING	2.85	3.9	6	1
0.00144	0.00148	Pin Contact 2.5 mm <sup>2</sup>			2.2	3.2	5	
0.00148	0.00145	Pin Contact 1.5 mm <sup>2</sup>			1.8	3.0	4	
0.00145	0.00149	Pin Contact 0.75-1.0 mm <sup>2</sup>			1.45	2.6	3	
0.00149	0.00150	Pin Contact 0.5 mm <sup>2</sup>			0.9	2.6	2	
0.00150		Pin Contact 0.13-0.4 mm <sup>2</sup>			0.9	2.6	1	
0.00144	0.00148	Pin Contact 14 AWG		SILVER PLATING	2.0	3.2	8	
0.00148	0.00145	Pin Contact 12 AWG			2.55	3.6	9	
0.00145	0.00149	Pin Contact 10 AWG			3.2	4.1	7	
0.00149	0.00150	Pin Contact 4.0 mm <sup>2</sup>			2.85	3.9	6	
0.00150		Pin Contact 2.5 mm <sup>2</sup>			2.2	3.2	5	
		Pin Contact 1.5 mm <sup>2</sup>			1.8	3.0	4	
		Pin Contact 0.75-1.0 mm <sup>2</sup>		1.45	2.6	3		
		Pin Contact 0.5 mm <sup>2</sup>		0.9	2.6	2		
		Pin Contact 0.13-0.4 mm <sup>2</sup>		0.9	2.6	1		

4	5-2	4-2	3-2	2-2	1-2	6-2	14	9-1	7-2	5-1	4-1	3-1	2-1	1-1	6-1	DESCRIPTION	MATERIAL	SURFACE	ØA	ØB	CROSS SECTION MARKING	ITEM NO
5-9	4-9	3-9	2-9	1-9	6-9	8-8	9-8	7-8	5-8	4-8	3-8	2-8	1-8	6-8								
ORDERING TEXT																						
HVT-C-Stri.Au.4.0 mm <sup>2</sup> HVT-C-Stri.Au.2.5 mm <sup>2</sup> HVT-C-Stri.Au.1.5 mm <sup>2</sup> HVT-C-Stri.Au.0.75-1.0 mm <sup>2</sup> HVT-C-Stri.Au.0.5 mm <sup>2</sup> HVT-C-Stri.Au.0.13-0.4 mm <sup>2</sup> HVT-C-Stri.Ag-AWG.14 HVT-C-Stri.Ag-AWG.12 HVT-C-Stri.Ag-AWG.10 HVT-C-Stri.Ag.4.0 mm <sup>2</sup> HVT-C-Stri.Ag.2.5 mm <sup>2</sup> HVT-C-Stri.Ag.1.5 mm <sup>2</sup> HVT-C-Stri.Ag.0.75-1.0 mm <sup>2</sup> HVT-C-Stri.Ag.0.5 mm <sup>2</sup> HVT-C-Stri.Ag.0.13-0.4 mm <sup>2</sup>																						

THIS DRAWING IS A CONTROLLED DOCUMENT.

DWN G.WROBLEWSKI 04 SEP.2007			DWN G.WROBLEWSKI 04 SEP.2007		
CHK T.SCHNURPEIL 04 SEP.2007			CHK T.SCHNURPEIL 04 SEP.2007		
APVD T.SCHNURPEIL 04 SEP.2007			APVD T.SCHNURPEIL 04 SEP.2007		
PRODUCT SPEC 108-74035			NAME CLIP		
APPLICATION SPEC 114-74013			SIZE A2		
WEIGHT -			CAGE CODE 00779		
CUSTOMER DRAWING			DRAWING NO C-1105300		
SCALE 5:1			SHEET 1 OF 1		
REV H3			RESTRICTED TO -		

# Mouser Electronics

Authorized Distributor

Click to View Pricing, Inventory, Delivery & Lifecycle Information:

[TE Connectivity:](#)

[6-1105300-2](#)