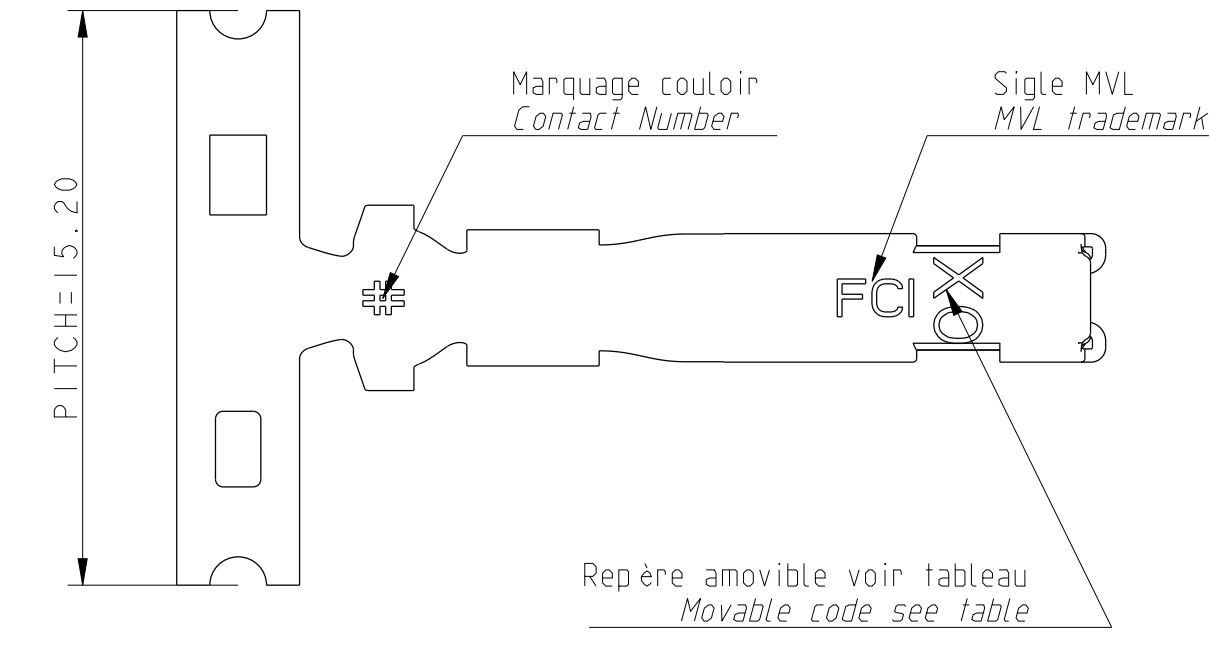
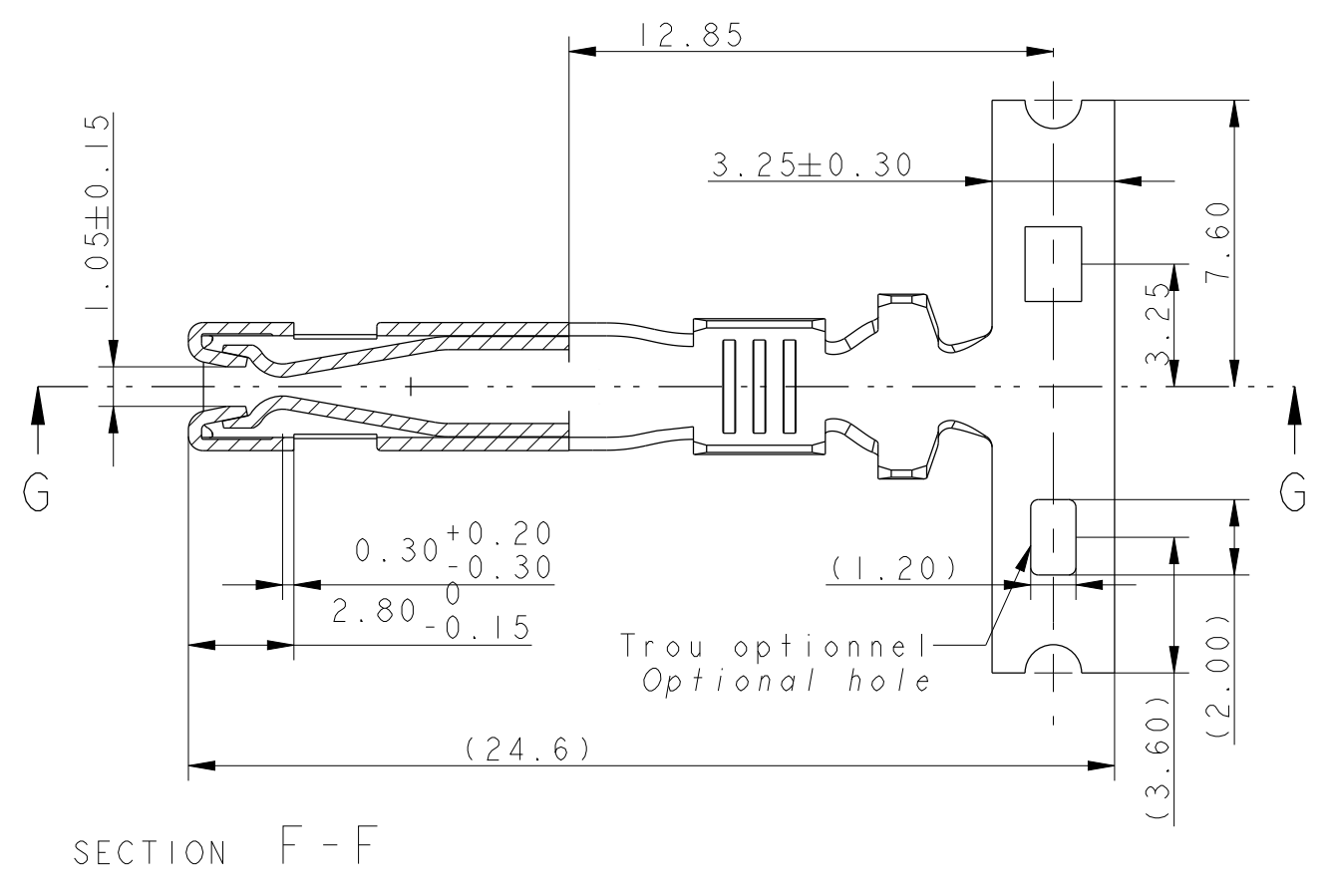


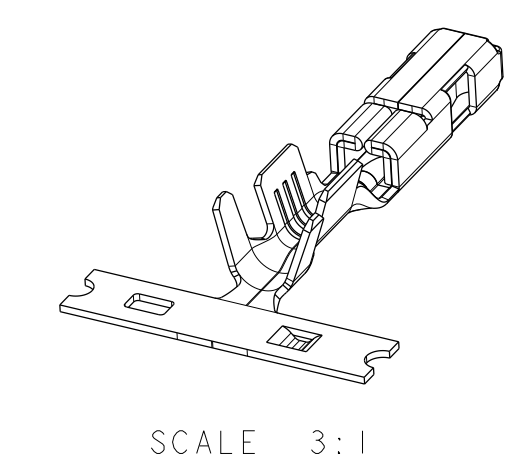
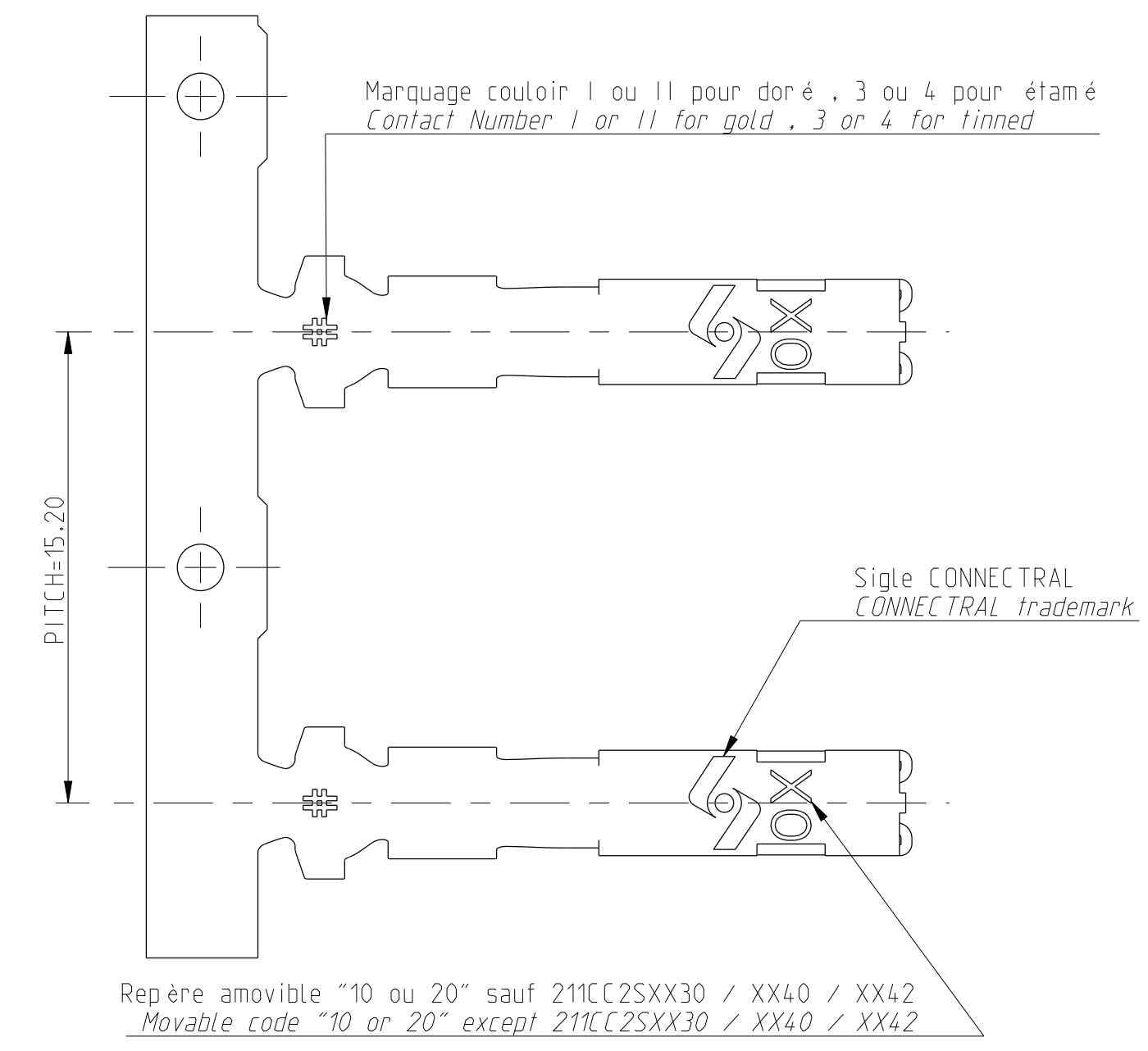
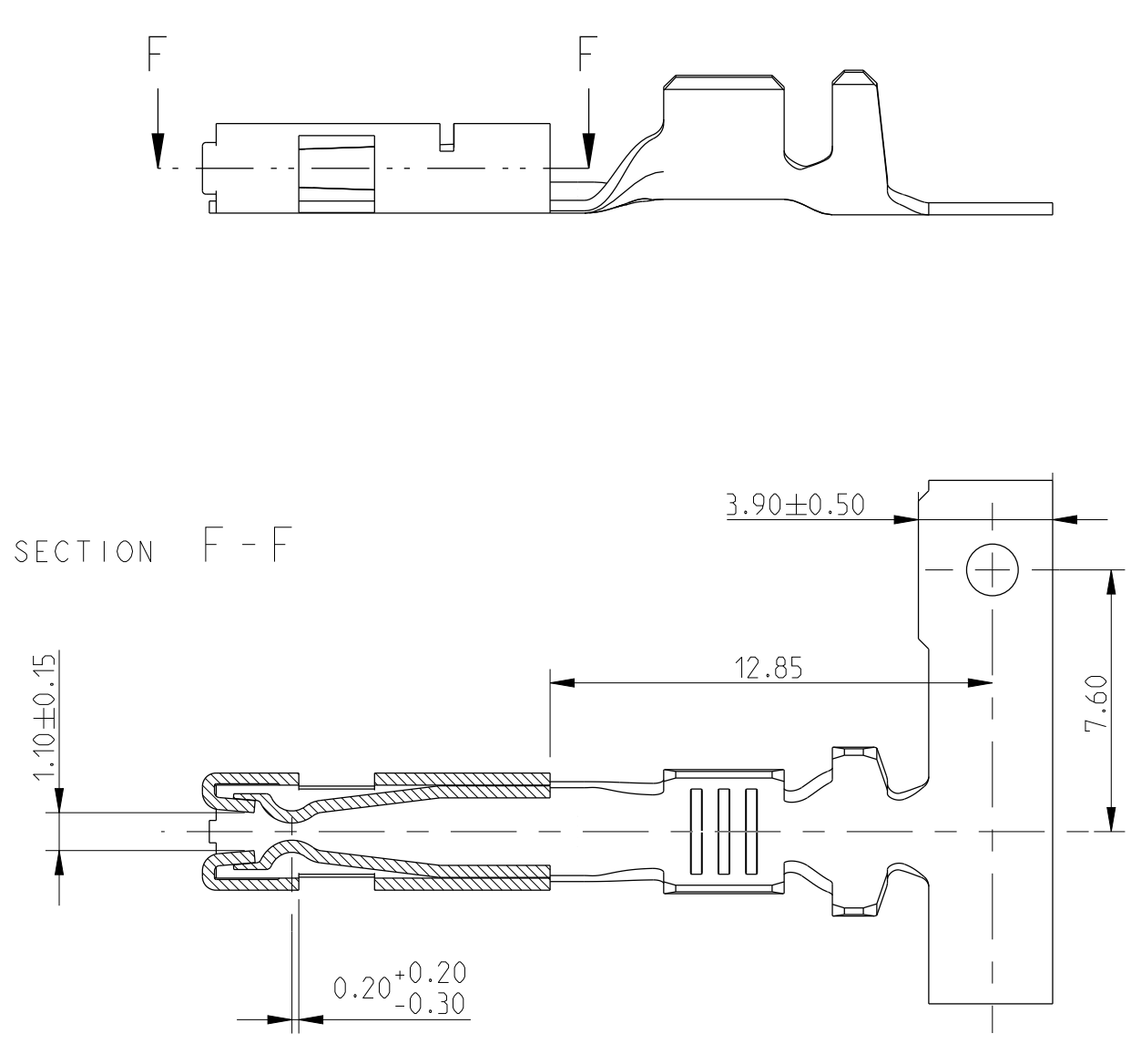
SECTION A-A

SECTION B-B



SECTION F-F

autre forme de bande porteuse et marquage  
other shape for carrier strip and mark

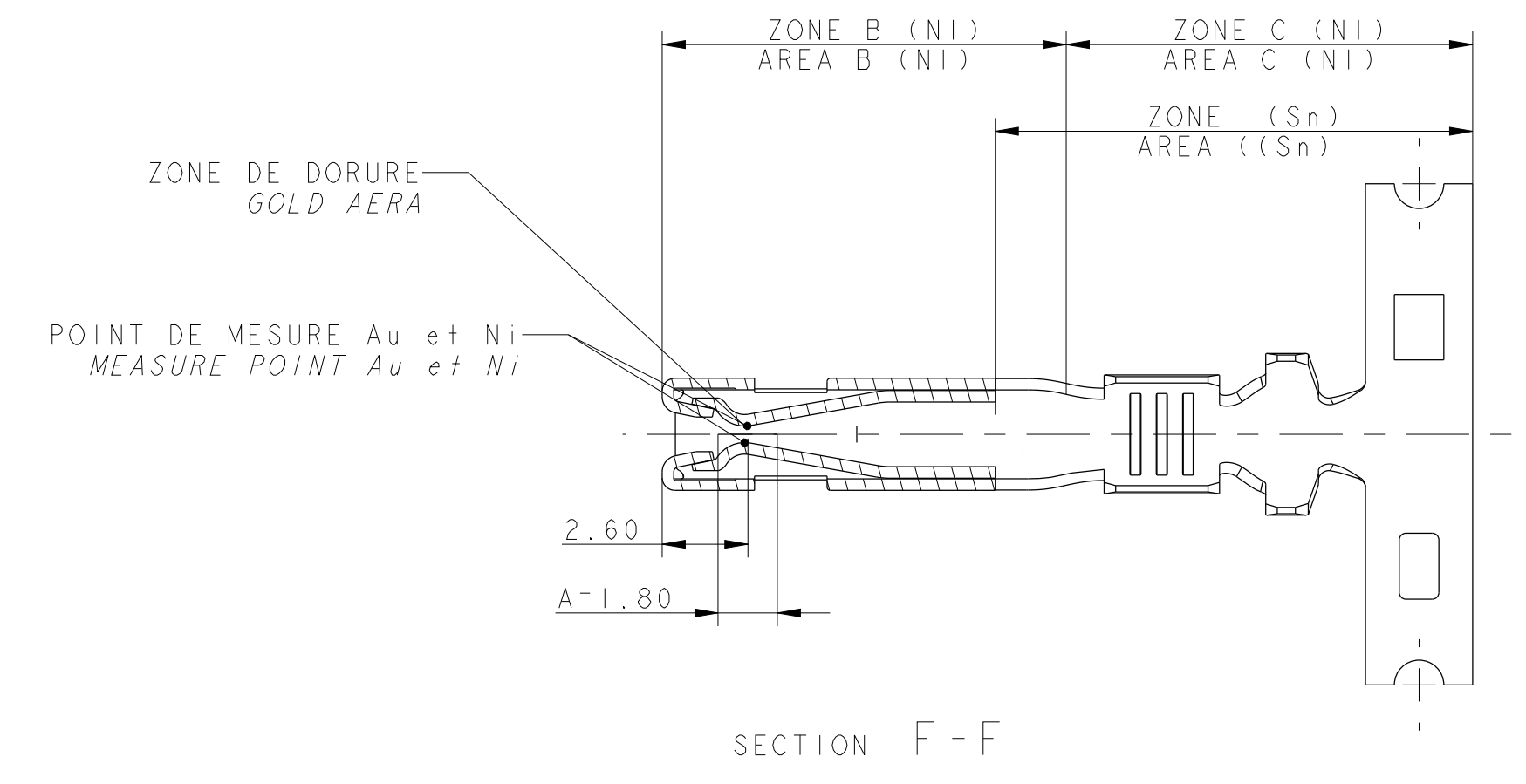


SCALE 3:1

Etat / State	Références Part Number												Matiere Material	Classe Class	Marquage Mark				
	MVL	Rev.	DELPHI	Rev.	MVL	Rev.	DELPHI	Rev.	MVL	Rev.	DELPHI	Rev.							
Pré-étamé / Pre-tinned					211CC2S1110	C	15368651	01					211CC2S2110	C	15368652	01	Cu Mg I	125*	10
Pré-étamé / Pre-tinned	211CC2S1120	C	10738188	01					211CC2S2120	C	10726212	01					Cu Mg I	125*	20
Post-doré / Post-gilded 1.27µ int	211CC2S1230	E	10738192	01					211CC2S2230	E	10757258	01					Cu Mg I	125*	
Post-doré / Post-gilded 1.27µ int	211CC2S1240	E	15324136	01					211CC2S2240	E	10865153	01					Cu Mg I	125*	Au
Post-doré / Post-gilded 1.27µ int	211CC2S1242	E	10756894	01													Cu Mg I	125*	

Section / Gauge	0.35 to 0.75	1 to 2
∅ Isolant Insulation	1.3 to 2.1	2.1 to 2.7
A	2.6	2.7
B	2.6	2.6
C±0.10	0.6	0.6
D±0.30	4.05	2.65
E	3.50	2.80
F±0.10	1.2	0.85
K	0.6	0.25
L	0.00	-0.05

Reference	Area	Ni (µm)		Sn	Thickness Au (µm)	
		B	C		nominal	mini
211 CC 2S X 2 30	-	-	-	-	-	-
211 CC 2S X 2 40	-	-	-	-	-	-
211 CC 2S 1 2 42	A	1 MIN 3 MAX	0.5 MIN 3 MAX	-	1.52	1.27



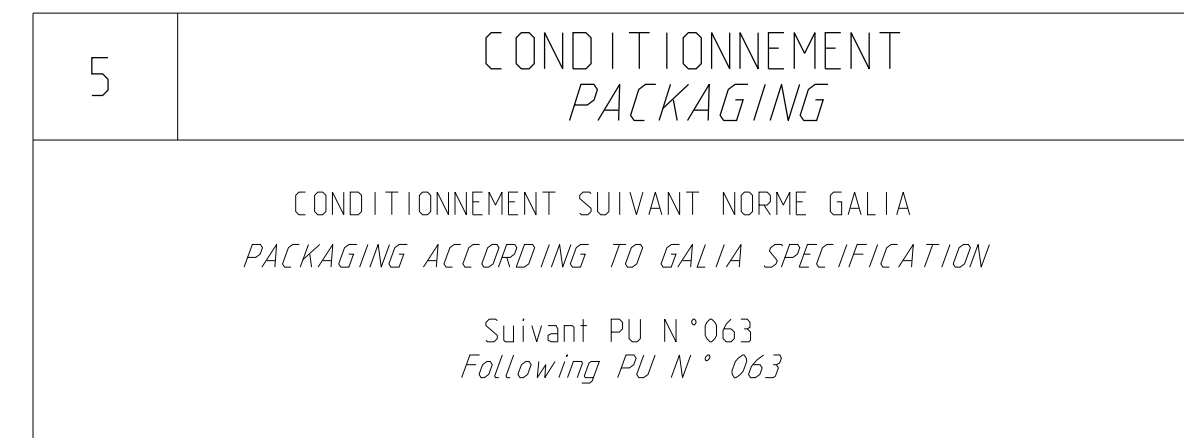
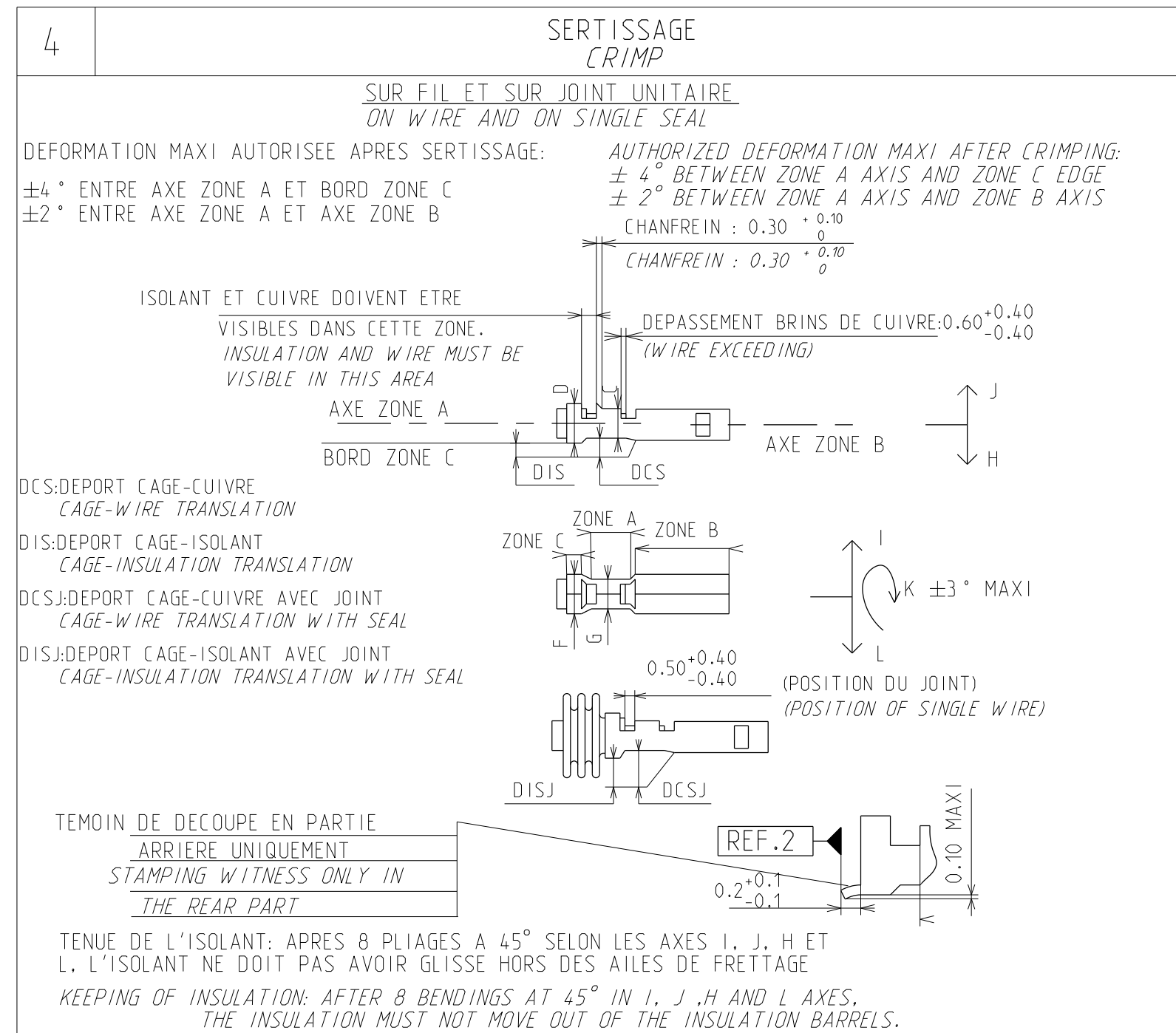
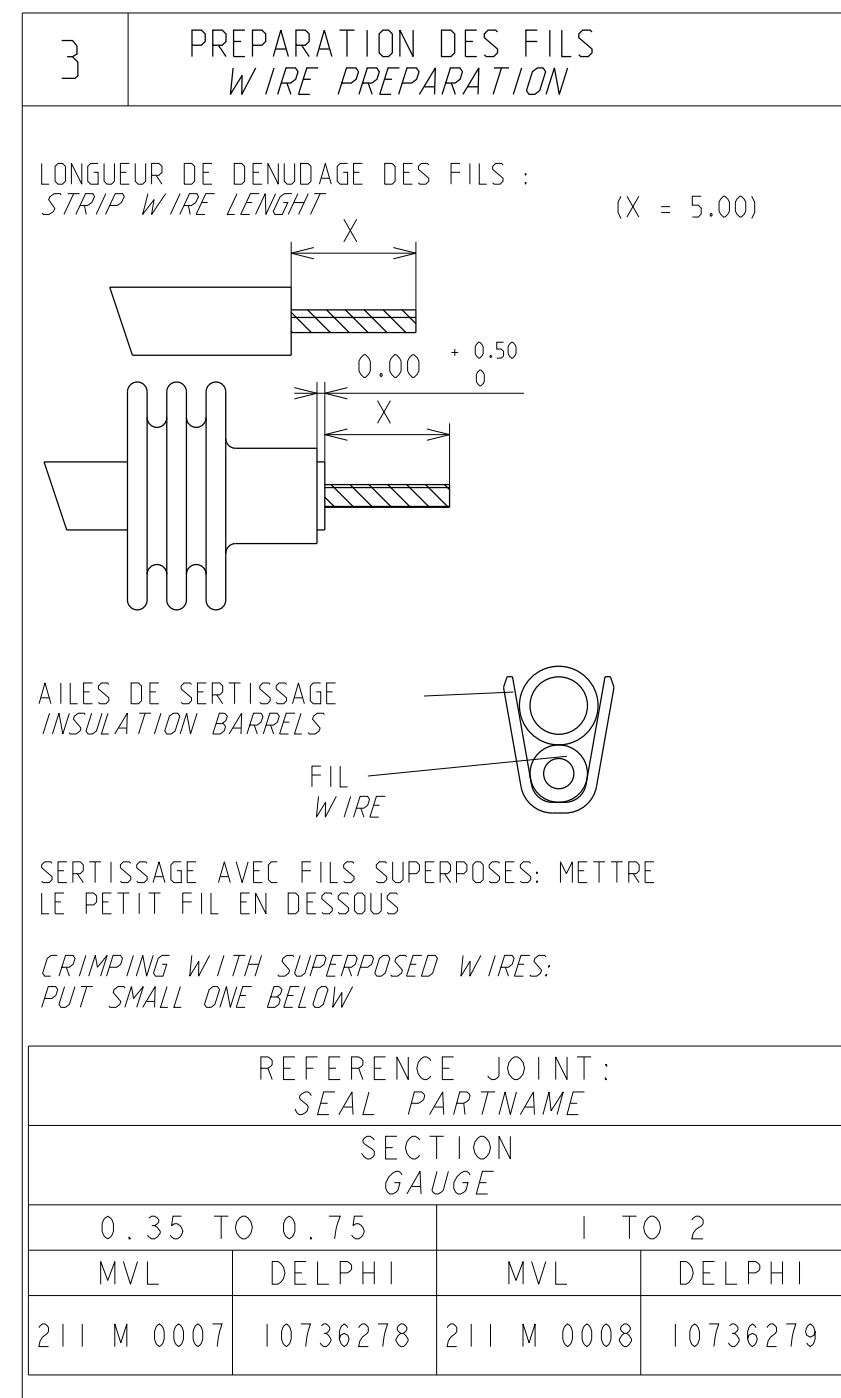
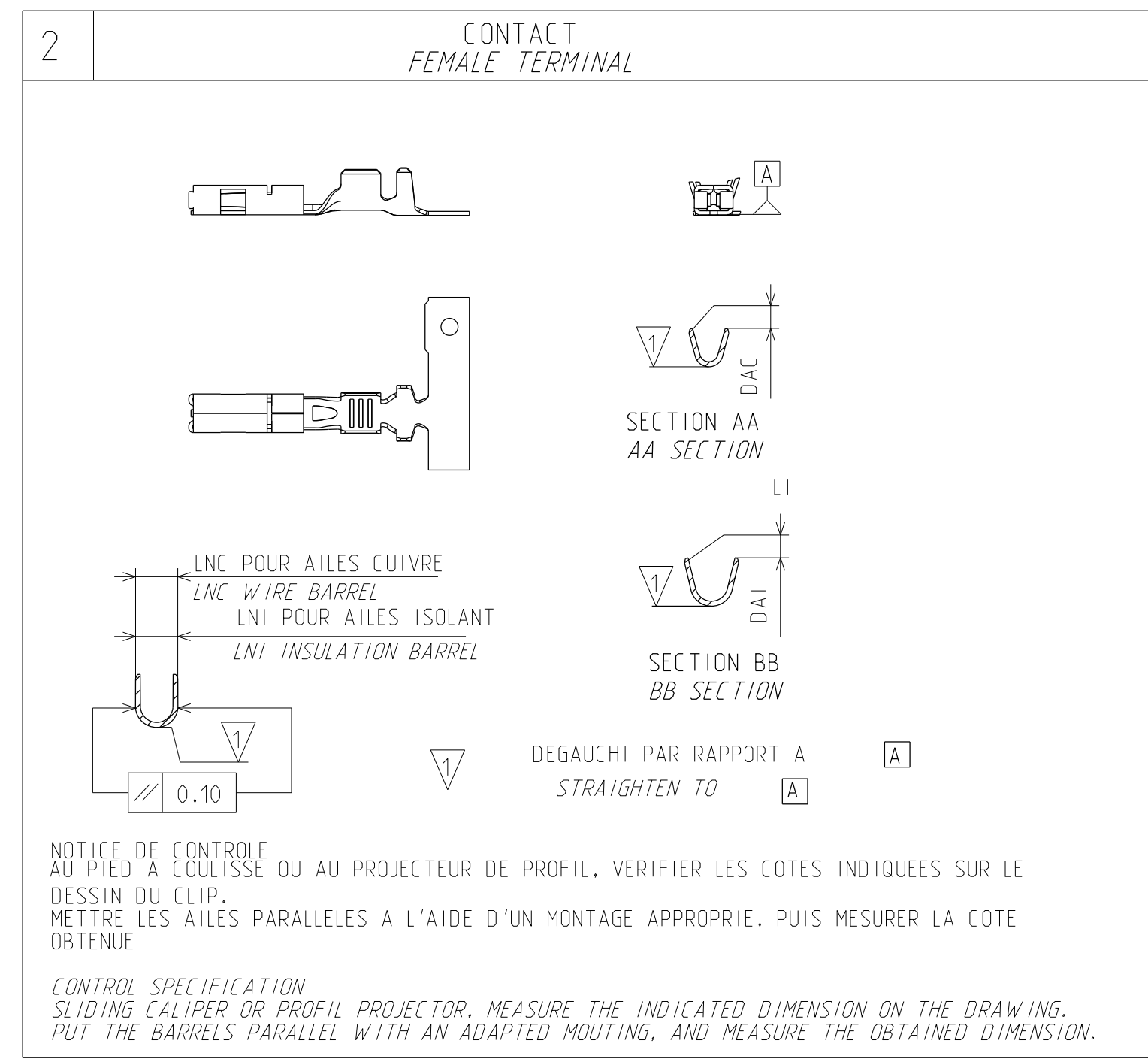
SECTION F-F

ECN-NO. NUMERO ECH	POSITION POSITION	CHANGE DESCRIPTION MODIFICATION	DELPHI P/N ADDED
PROJECT SPEC. SPECIF. PRODUIT	PACKAGING SPEC. SPECIF. EMBALLAGE	APPLICATION SPEC. SPECIF. APPLICATION	COPYRIGHT DELPHI CORPORATION AND/OR ITS AFFILIATES. ALL RIGHTS RESERVED. REVISED THIS DRAWING IS THE PROPERTY OF DELPHI CORPORATION AND CONTAINS DELPHI CONFIDENTIAL INFORMATION. THE REPRODUCTION, DISTRIBUTION AND SALE OF THIS DOCUMENT OR ITS CONTENTS WITHOUT THE WRITTEN PERMISSION OF DELPHI CORPORATION IS PROHIBITED. LE DROIT DE PROPRIÉTÉ DE DELPHI CORPORATION ET/OU SES AFFILIÉS EST RÉSERVÉ. CE PLAN EST LA PROPRIÉTÉ DE DELPHI CORPORATION ET CONTIEN DES INFORMATIONS CONFIDENTIELLES. LA RÉPRODUCTION, LA DISTRIBUTION ET LA VENTE DE CE DOCUMENT OU DE SON CONTENU SANS LAutorisation ÉCRITE DE DELPHI CORPORATION EST INTERDITE.
TOLERANCES TOLERANCES	±0.2 ± 2*	MATERIAL: SEE TABLE	STATE OF SURFACE
CONTRACT NO. CONTRAT N°		COLOR: COULEUR	
DO NOT REASURE DRAWING NE PAS REASURE DE DRESSER		TOOL NO. 211 36 01/21/51	ECO EXP. 644 FE
DATE DATE	NAME NOM	TITLE DESIGNATION	
CREATED BY COUL FAN	DATE DATE	PROJECT PROJET	15 x 08 FEMALE TERMINAL
MODIFIED BY MODIFIE PAR	DATE DATE	PROJECT PROJET	
APPROVED BY APPR. PAR	DATE DATE	PROJECT PROJET	
FILE NAME NOM DE FICHER	DATE DATE	PROJECT PROJET	



SECTION GAUGE	REFERENCE F.C.C. PARTNAME		DAC MAXI	DAI MAXI	LNC±0.20	LNI±0.20	DIS±0.10	DCS±0.10	DIS±0.10	SECTION (mm2)		(LARGEUR) (W IDTH)	HAUTEUR (HEIGHT)	ØEQU. (ØEQU.)	PAR RECOURVEMENT WITH OVERLAPPING		AVEC JOINT UNITAIRE WITH SINGLE SEAL		TYPE FIL WIRE									
	MVL	DELPHI								THEORIQUE THEORETIC	REELLE REAL				(LARGEUR) (W IDTH)	(HAUTEUR) (HEIGHT)	(LARGEUR) (W IDTH)	(HAUTEUR) (HEIGHT)		(LARGEUR) (W IDTH)	(HAUTEUR) (HEIGHT)							
															(±0.04)	C±0.04	(F±0.08)	(D±0.08)		(F±0.08)	(D±0.08)							
0.35 TO 0.75	211 CC 2 S 1110	15368651	0.25	0.25	1.90	3.10	0.60	0.00	0.60	- 0.25	0.35	0.34	(2.14)	1.35	1.34	(2.59)	(2.10)											
	211 CC 2 S 1120	10738188									0.50	0.49	(2.14)	1.18	1.15	(2.59)	(2.18)											
											0.60	0.59	(2.15)	1.19	1.83	(2.60)	(2.48)											
											0.75	0.72	(2.15)	1.22	1.70	(2.60)	(2.38)											
	211 CC 2 S 1220	10727146																	0.35 + 0.35	0.68	(2.15)	1.21	2.08	(2.62)	(2.67)			
	211 CC 2 S 1230	10738192																										
1 TO 2	211 CC 2 S 1110	15368651	0.25	0.25	2.30	3.40	0.40	- 0.05	0.40	- 0.35	1.00	0.93	(2.34)	1.51	2.00	(3.18)	(2.44)			IR								
	211 CC 2 S 2120	10726212																								ID		
																											16AZ SAE	

(VALUEUR) : UNIQUEMENT POUR INFORMATION (VALUEUR) : FOR INFORMATION ONLY



ECN-NO. NUMBER ECN	POSITION POSITION	CHANGE DESCRIPTION MODIFICATION
		DELPHI P/N ADDED

PROJECT SPEC. SPECIF. PRODUIT	PACKAGING SPEC. SPECIF. ENSEMBLE	APPLICATION SPEC. SPECIF. APPLICATION	COPYRIGHT DELPHI CORPORATION AND/OR ITS AFFILIATES. ALL RIGHTS RESERVED. REVISED THIS DRAWING IS THE PROPERTY OF DELPHI CORPORATION AND CONTAINS DELPHI CONFIDENTIAL INFORMATION. THE REPRODUCTION, DISTRIBUTION AND SALE OF THIS DOCUMENT BY ITS HOLDER OR BY ANY OTHER PARTY WITHOUT EXPRESS AUTHORIZATION OF DELPHI CORPORATION IS PROHIBITED.
TOLERANCES ±0.2 ± 2*	MATERIAL: SEE TABLE	STATE OF SURFACE	DELPHI ELECTRICAL/ELECTRONIC ARCHITECTURE EPE/ENR, FRANCE
CONTRIBUTOR: COWIE PART #	COLOR: -	ECO: -	DELPHI
DO NOT MEASURE DRAWING NE PAS MESURER LE DRESSAGE	TOOL NO: 211 36 012/1/51	ECO EXP: C64 FE	DELPHI
DATE DATE	NAME NOM	TITLE TITRE	DRAWING NUMBER REF. PLAN
2007-04-21	F. FAURIE	15 x 08 FEMALE TERMINAL	211FT0278
CREATED BY	PROJECT	STATE ETAT	APPROVAL LEVEL NIV. D'APPROBATION
2007-04-21	15 x 08 FEMALE TERMINAL	3	F
APPROVED BY	PROJECT	STATE ETAT	SHEET FEUILLE
2007-04-21	15 x 08 FEMALE TERMINAL	3	3
APP. PAR	ESR NO. NUMBER ESR	NUMERO CAP.	REV. NIV.
2007-04-21	15 x 08 FEMALE TERMINAL	15 x 08 FEMALE TERMINAL	3
FILE NAME	DOCUMENT UNDER THIS CONTRACT DOCUMENT EN COURS DE TRAVAIL	NUMERO CAP.	SCALE ECHELLE
211FT0278	NO MODIFICATION ALLOWED OUTSIDE PAS DE MODIFICATION EN DEHORS	15 x 08 FEMALE TERMINAL	2:1



# Mouser Electronics

Authorized Distributor

Click to View Pricing, Inventory, Delivery & Lifecycle Information:

[Aptiv:](#)

[211CC2S1120](#)