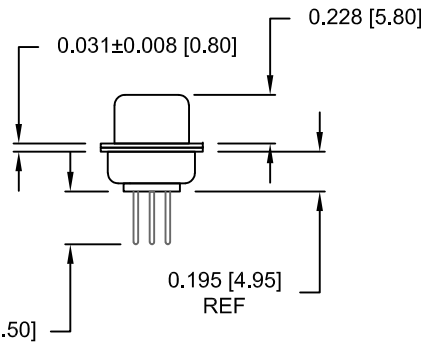
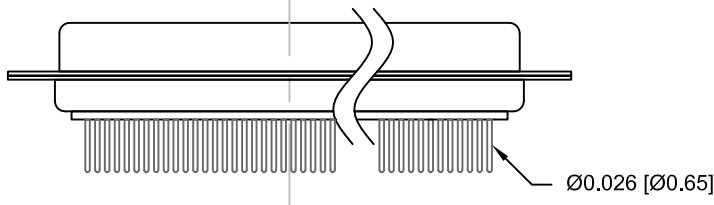
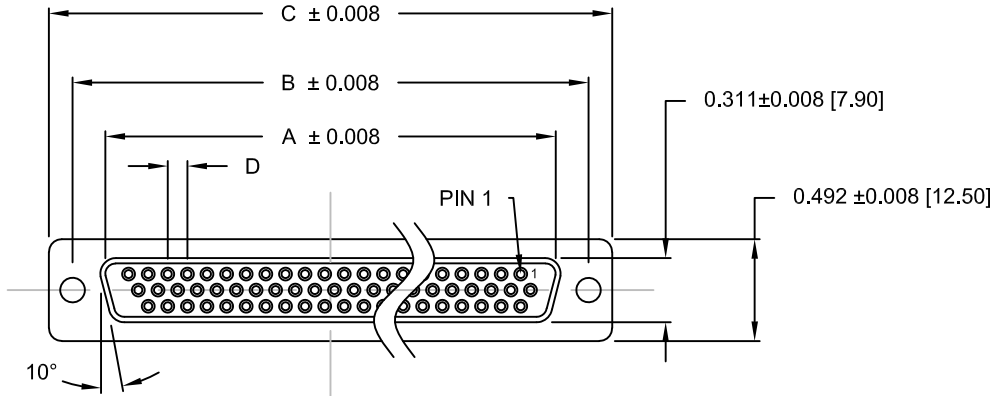


DESCRIPTION: HIGH DENSITY - MACHINED CONTACTS - VERTICAL



MATERIALS AND FINISH:

SHELL: STEEL MATERIAL, NICKEL FINISH
 INSULATOR: (SEE DIM. CHART) = 260°C PROCESS TEMP, UL 94V-0 RATED, BLACK
 CONTACT MATERIAL: BRASS
 CONTACT FINISH: SEE PLATING PART NUMBER KEY BELOW

ELECTRICAL:

CONTACT CURRENT RATING: 5 AMPS
 CONTACT RESISTANCE: 10 mOHMS Max.
 DIELECTRIC WITHSTANDING VOLTAGE: 1,000VAC Min.
 INSULATION RESISTANCE: 5 GOHMS Min.
 TEMPERATURE RATING: -55° ~ +125° C

180-MYY-2YYRYYY

SERIES _____
 MACHINED CONTACTS _____
 POSITIONS _____
 15 _____
 26 _____
 44 _____
 62 _____
 GENDER _____
 2 = FEMALE _____
 CONTACT LENGTH _____
 1 = 0.256" _____
 A = 0.140" _____
 SHELL PLATING _____
 3 = NICKEL _____
 HIGH TEMP INSULATOR (260°C) _____
 HARDWARE OPTIONS _____
 00 = NO HARDWARE, Ø.120" HOLE
 01 = .098" CLINCH NUT (BOARD SIDE)
 02 = .236" CLINCH NUT (BOARD SIDE)
 03 = .236" CLINCH NUT (MATING SIDE)
 05 = .224" BOARD LOCK (BOARD SIDE)
 S5 = .237" BOARD LOCK (BOARD SIDE)
 91 = .224" 4-40 SPACER/BOARD LOCK
 PLATING OPTIONS _____
 1 = GOLD FLASH, ENTIRE CONTACT
 2 = 30u" GOLD, ENTIRE CONTACT
 3 = 50u" GOLD, ENTIRE CONTACT

DIMENSIONS (in.)

| No. OF PINS | A | B | C | D | Insulator Material |
|-------------|-------|-------|-------|-------|--------------------|
| 15 | 0.642 | 0.984 | 1.213 | 0.090 | PA9T |
| 26 | 0.969 | 1.311 | 1.543 | 0.090 | PA9T |
| 44 | 1.512 | 1.852 | 2.089 | 0.090 | PA9T |
| 62 | 2.157 | 2.500 | 2.732 | 0.095 | PA6T |

DIMENSIONS (mm)

| No. OF PINS | A | B | C | D | Insulator Material |
|-------------|-------|-------|-------|------|--------------------|
| 15 | 16.30 | 25.00 | 30.80 | 2.29 | PA9T |
| 26 | 24.60 | 33.30 | 39.20 | 2.29 | PA9T |
| 44 | 38.40 | 47.05 | 53.05 | 2.29 | PA9T |
| 62 | 54.80 | 63.50 | 69.40 | 2.41 | PA6T |

UNITS = INCHES [mm]

DO NOT SCALE FROM DRAWING



THESE DRAWINGS AND SPECIFICATIONS ARE THE PROPERTY OF NorComp AND SHALL NOT BE REPRODUCED, COPIED OR USED AS THE BASIS FOR THE MANUFACTURE OF SALE OF APPARATUS WITHOUT WRITTEN PERMISSION.

| | | | |
|--------|----------|-------|----------|
| DRAWN: | C. SMITH | DATE: | 03-16-07 |
|--------|----------|-------|----------|

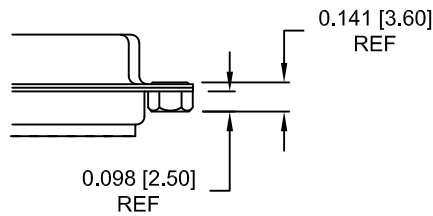
NorComp

| | | | | | | | |
|---------|-----------------|-------|---|----|---|-----|----|
| SCALE: | NTS | SHEET | 1 | OF | 3 | REV | 24 |
| DWG NO. | 180-MYY-21YRYYY | | | | | | |

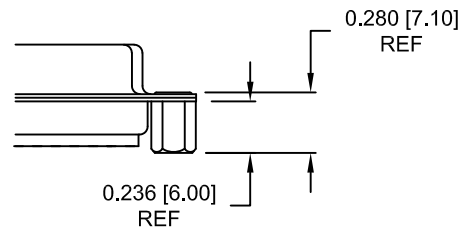
RoHS COMPLIANT

ALL CLINCH-NUTS ARE 4-40 INTERNAL THREADS

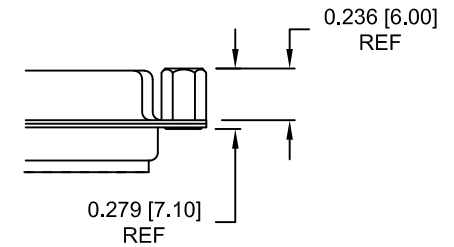
01X 0.098" BOARD SIDE



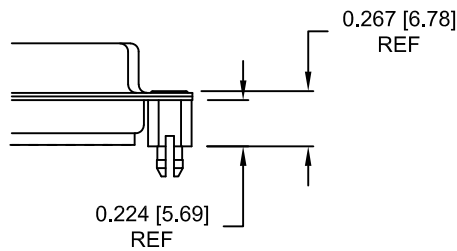
02X 0.236" BOARD SIDE



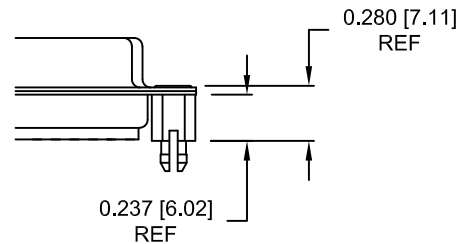
03X..... 0.236" MATING SIDE



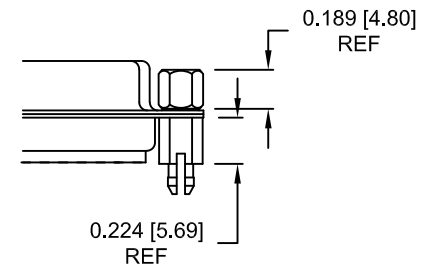
05X 0.224" BOARD SIDE



S5X 0.237" BOARD SIDE



91X 0.224" BOARD SIDE
0.189" MATING SIDE



NOTE: 4-40 FEMALE SCREW LOCK IS REMOVABLE

UNITS = INCHES [mm]

DO NOT SCALE FROM DRAWING



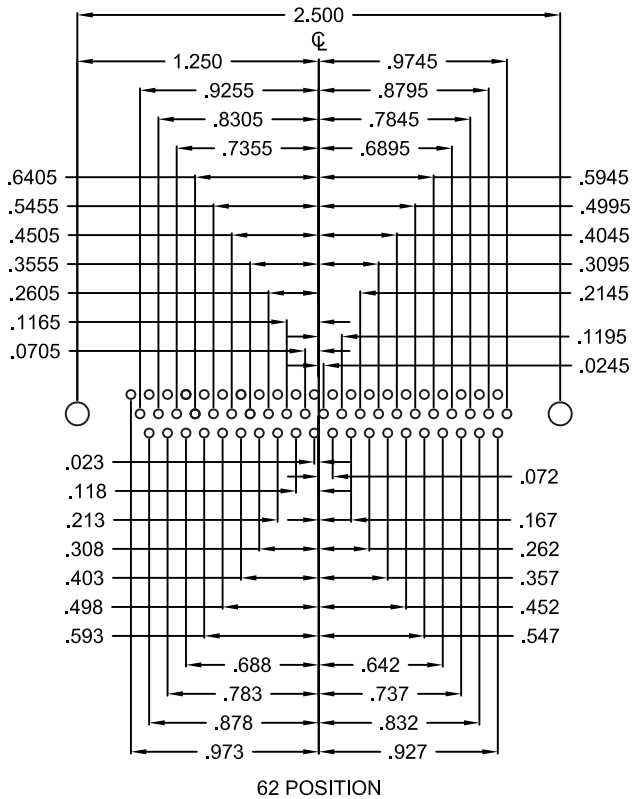
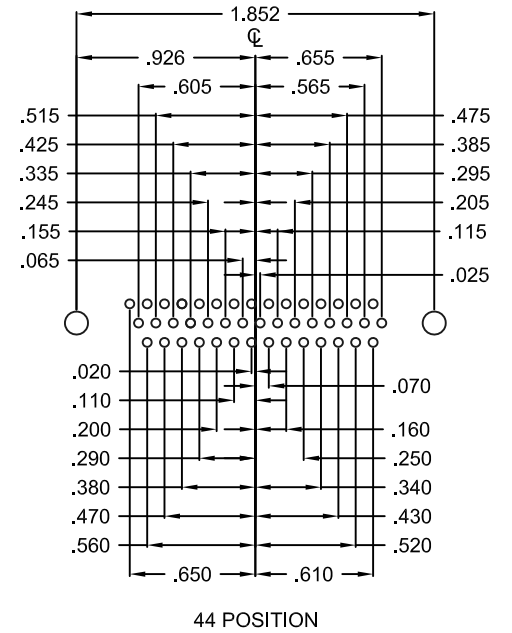
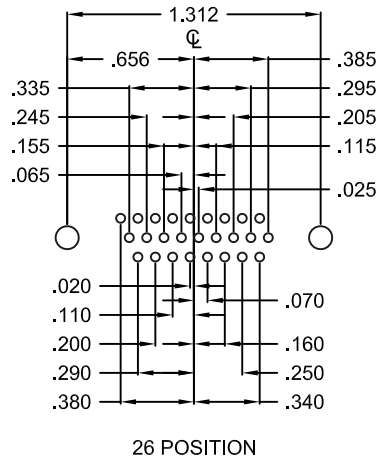
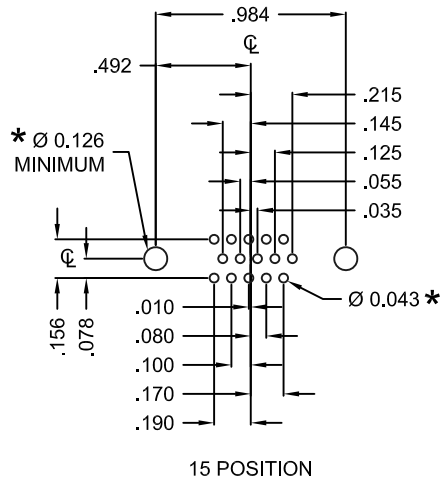
THESE DRAWINGS AND SPECIFICATIONS ARE THE PROPERTY OF NorComp AND SHALL NOT BE REPRODUCED, COPIED OR USED AS THE BASIS FOR THE MANUFACTURE OF SALE OF APPARATUS WITHOUT WRITTEN PERMISSION.

| | | | |
|----------------------------|------------|-------------------|-----------|
| DRAWN: C. SMITH | | DATE: 03-16-07 | |
| SCALE: NTS | SHEET 2 | OF 3 | REV 24 |
| DWG NO. 180-MYY-21YRYYY | | | |

RoHS COMPLIANT

NorComp

DESCRIPTION: HIGH DENSITY - MACHINED CONTACTS - VERTICAL




HOLE PATTERN SHOWN
ARE FOR FEMALE

UNITS = inch

* TYP.
SUGGESTED SIZE
MAY NOT BE SUITABLE FOR ALL APPLICATIONS

DO NOT SCALE FROM DRAWING

| | | | | |
|--|---|--|---------------------------|--------------------------|
|  | THESE DRAWINGS AND SPECIFICATIONS ARE THE PROPERTY OF NorComp AND SHALL NOT BE REPRODUCED, COPIED OR USED AS THE BASIS FOR THE MANUFACTURE OF SALE OF APPARATUS WITHOUT WRITTEN PERMISSION. | | DRAWN: C. SMITH | DATE: 03-16-07 |
| | NorComp | | SCALE: NTS | SHEET 3 OF 3 |
| DWG NO. 180-MYY-21YRYYY | | | | |

Mouser Electronics

Authorized Distributor

Click to View Pricing, Inventory, Delivery & Lifecycle Information:

NorComp:

[180-M62-213R911](#) [180-M26-213R021](#) [180-M15-213R011](#) [180-M15-213R001](#) [180-M15-213R911](#) [180-M44-213R911](#) [180-M62-213R021](#) [180-M62-213R031](#) [180-M62-213R011](#) [180-M44-213R031](#) [180-M26-213R011](#) [180-M62-213R001](#) [180-M15-213R031](#) [180-M26-213R031](#) [180-M44-213R011](#) [180-M26-213R911](#) [180-M26-213R001](#) [180-M44-213R001](#) [180-M15-213R021](#) [180-M44-213R021](#) [180-M15-213R051](#) [180-M26-213R051](#) [180-M62-213R051](#) [180-M44-213R051](#)