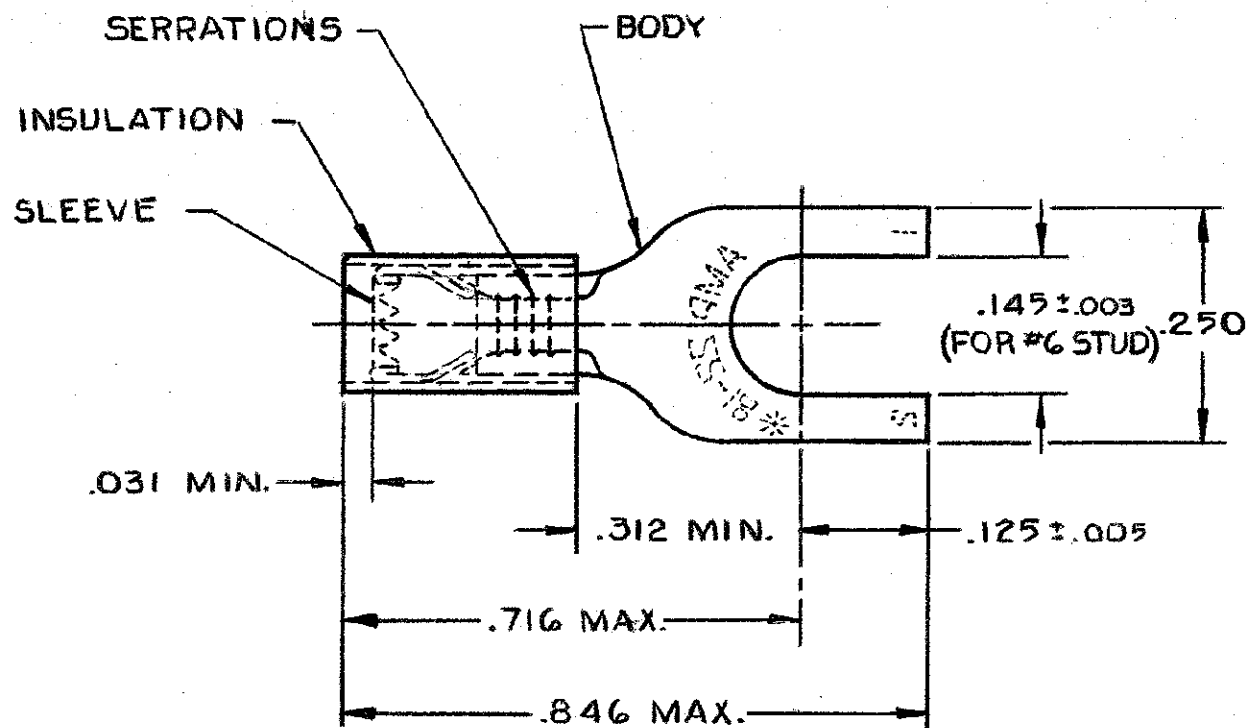


THIS DRAWING IS UNPUBLISHED. RELEASED FOR PUBLICATION

© COPYRIGHT BY

REVISIONS						
P	F	ZONE	LTR	DESCRIPTION	DATE	APPROVED
			M1	REVISED PER ECO-11-005294	19APR11	HMR



- 1 WIRE INSULATION DIA. = .105-.140
- 2 TONGUE MATERIAL THK. = .031±.002
- 3 22-18 MARKING FOR MILITARY, COMMERCIAL RANGE 22-16
- 4 TIN PLATE (ASTM B 545) .000100 MIN THK.
- 5 PRELIMINARY - NOT FOR PRODUCTION
- 6 SUPERSEDED BY 8-34541-1

	COLOR	QTY.	DESCRIPTION	PART NO
6	RED	50	LOOSE PIECE, BAG	8-34541-5
	RED	100	LOOSE PIECE, BOX	8-34541-1
	BLACK	5,000	34541-1 ON TAPE, REEL	5 2-34541-4
OBSOLETE	RED	100	ON TAPE, SM. BOX	2-34541-3
OBSOLETE	RED	4,000	ON TAPE, LG. BOX	2-34541-2
	RED	5,000	34541 ON TAPE, REEL	2-34541-1
	BLACK	#	LOOSE PIECE	5 34541-1
	RED	#	LOOSE PIECE	34541

UNLESS OTHERWISE SPECIFIED DIMENSIONS ARE IN INCHES. TOLERANCES ON: DECIMALS ±.008 ANGLES ±		CONTRACT NO DR UTA/RFB 9-24-85		TE Connectivity	
MATERIAL INSULATION: NYLON - RED BODY & SLEEVE: COPPER PER (ASTM B 152)		CHK Mutyahong ARPD Maitron/soles APPD			
FINISH BODY: 4		DSGN APPD		SIZE B	FSCM. NO 00779
		OTHER APPD		DRAWING NO 34541	
				SCALE NTS	SHEET 1 OF 1

CUSTOMER DRAWING

Mouser Electronics

Authorized Distributor

Click to View Pricing, Inventory, Delivery & Lifecycle Information:

[TE Connectivity:](#)

[8-34541-1](#)