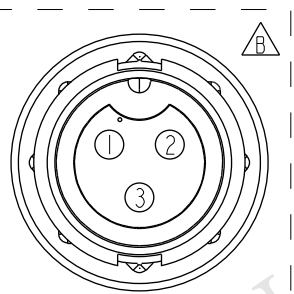
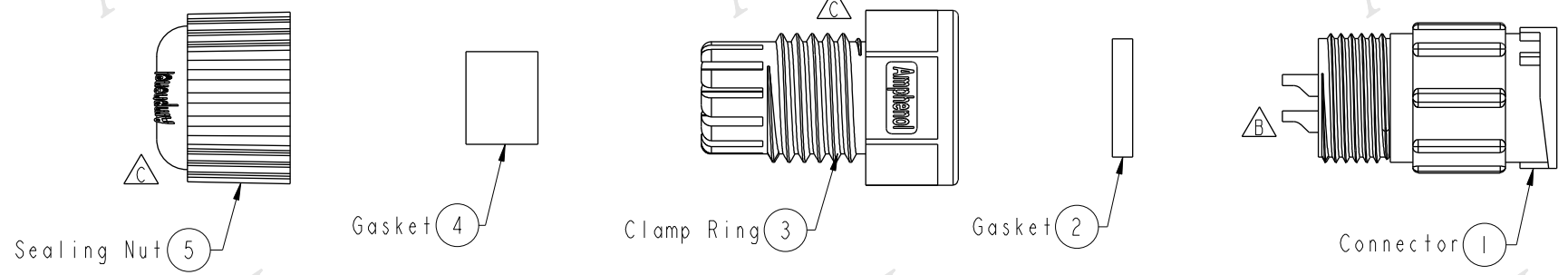


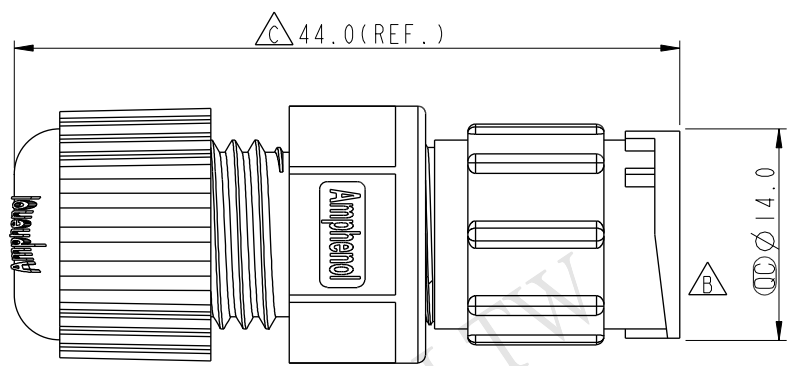
REV.	ECN NO.	DATE	SIGN	DESCRIPTION
B	LEN-050042	2009/11/13	Li Xiu Zhi	Change View
C	LEN14C0031	2014/11/20	Vicky	Update Logo & Dimension

ALTW  
CONFIDENTIAL  
2014-11-20  
R&D DEPT.

ALTW  
DCC. DEPT.  
CONFIDENTIAL  
2014.12.03  
ISSUED



Pin Assignments  
Front View



Note:

- \*  $\varnothing$  Important Dimension To Check.
- \* Waterproof Rate: IP67
- \* Housing: Nylon+GF, Black
- \* Female Pin: Copper Alloy, Gold Plated
- \* Gasket: EPDM, Black
- \* Clamp Ring: Nylon, Black
- \* Seal: EPDM, Black
- \* Sealing Nut: Nylon, Black
- \* Seal For Cable OD:  $\varnothing 4.5\text{mm} \sim \varnothing 6.5\text{mm}$   
(防水墊圈線徑:  $\varnothing 4.5\text{mm} \sim \varnothing 6.5\text{mm}$ )
- \* One Set Unassembled In One PE Bag  
(每一組未組裝, 放置於一個PE袋, 並封口)

UNIT:mm		
TOLERANCE	.X ±0.25	
.XX ±0.1		
.XXX ±0.05		
ANGLES	±1°	

TITLE 3Pin Male Connector Female Pin for Field Installation, Lock Type			
SCALE 3:2	SIZE A4	SHEET 1 OF 1	
REV. C	WC-REV. A.2	$\varnothing$ : Inspection item	

**Amphenol LTW**  
安費諾亮泰企業股份有限公司

ITEM NO BD-03BMFA-LL7001	DRAWN BY Vicky	DATE 2014-11-20
DWG NO BD-03BMFA-LL7001	CHECKED BY Sam	DATE 2014-11-20
CUSTOMER ALTW	APPROVED BY Rita	DATE 2014-11-20

THIS DOCUMENT IS SUBJECT TO CHANGE WITHOUT NOTICE. IT IS CONFIDENTIAL AND A PROPERTY OF Amphenol LTW. DISCLOSURE TO THIRD PARTY HAS TO BE AUTHORIZED BY Amphenol LTW.

# Mouser Electronics

Authorized Distributor

Click to View Pricing, Inventory, Delivery & Lifecycle Information:

[Amphenol:](#)

[BD-03BMFA-LL7001](#)