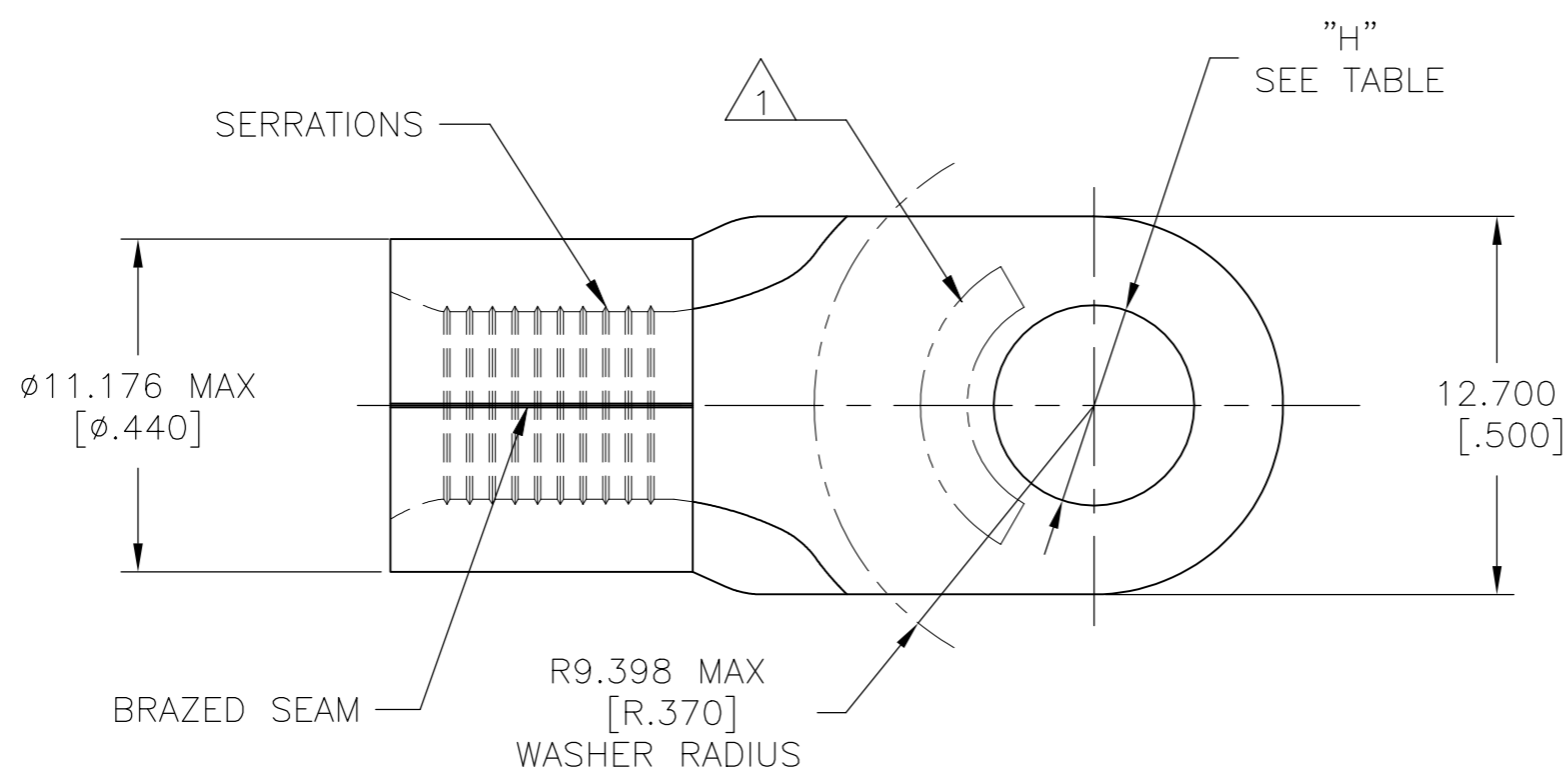


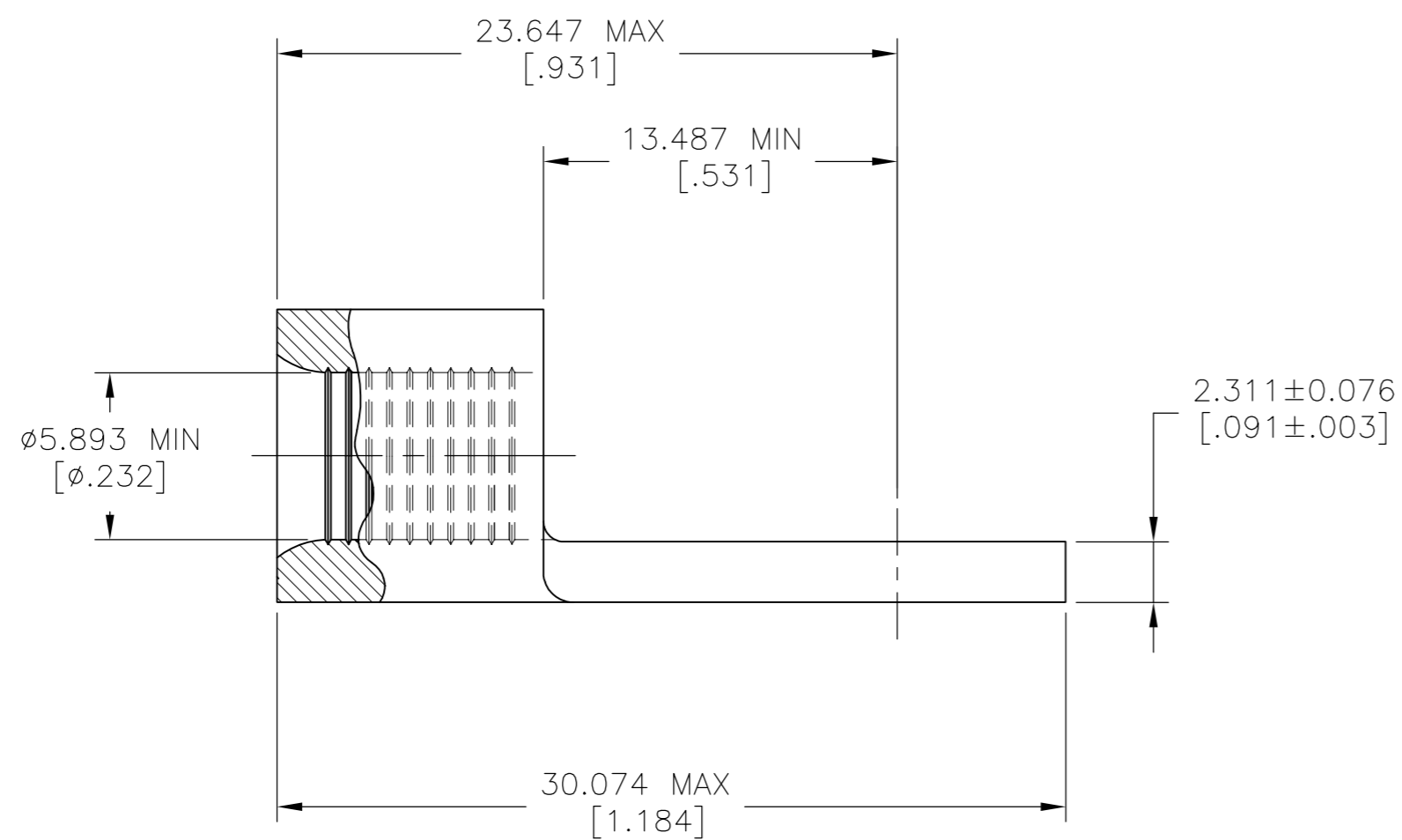
THIS DRAWING IS UNPUBLISHED. RELEASED FOR PUBLICATION
 © COPYRIGHT - TE Connectivity Ltd. ALL RIGHTS RESERVED.

| REVISIONS | | | | | |
|-----------|-----|------------------------------|-----------|-----|------|
| P | LTR | DESCRIPTION | DATE | DWN | APVD |
| F | | REV, RDRAWN PER 0720-0040-93 | 3-24-93 | - | DAP |
| F1 | | REVISED PER ECO-17-008806 | 19FEB2018 | RS | DR |



| | |
|------------------------------|---------------------------|
| AMP WIRE RANGE | E13288 Listed |
| 6HD AWG SOLID OR STRANDED | 6HD AWG STRANDED |
| LR7189 Certified | MILITARY P/N AND CLASS |
| 6HD AWG SOLID OR STRANDED | NOT APPLICABLE |

STAMP AMP 6HDW* APPROX AS SHOWN



| | | | | |
|-----|--------------|-----------|------------------------------|---------|
| 100 | LOOSE PIECE | 1/4 | ø6.731±0.127 [ø.265±.005] | 330969 |
| QTY | PACKAGE TYPE | STUD SIZE | "H" | PART NO |

| | | | | | |
|--|--|---|--|--|--|
| AMP INCORPORATED CUSTOMER SERVICE SYSTEMS | | THIS DRAWING IS A CONTROLLED DOCUMENT. | | DWN TA BRINKMAN 3-24-93 | TE Connectivity Ltd. |
| FOR ADDITIONAL PRODUCT INFORMATION OR COPIES OF DRAWINGS AND TECHNICAL DOCUMENTS PRODUCT INFORMATION CENTER 1-800-522-6752 | | DIMENSIONS: mm [INCHES] | | CHK DA PATTERSON 3-24-93 | |
| FOR APPLICATION TOOLING ASSISTANCE CENTER 1-800-722-1111 | | TOLERANCES UNLESS OTHERWISE SPECIFIED: 0 PLC ± - 1 PLC ± - 2 PLC ± - 3 PLC ± 0.127[.005] 4 PLC ± - ANGLES ± - | | APVD DE MILLER 3-24-93 | NAME UL 486 A-B |
| FOR ORDER ENTRY 1-800-526-5142 | | WIRE CROSS SECTIONAL AREA RANGE, 10.5-16.8mm²[20,800-33,100] CIR MILS SOLID OR STRANDED | | MATERIAL COPPER PER PER ASTM B-152 ANNEALED | APPLICATION SPEC - WEIGHT - FINISH TIN PLATE 0.00254[.000100] MIN THK PER ASTM B545 |
| | | | | SIZE A2 | CAGE CODE 00779 |
| | | | | DRAWING NO C=330969 | RESTRICTED TO - |
| | | | | SCALE 4:1 | SHEET 1 OF 1 |
| | | | | CUSTOMER DRAWING | REV F1 |

Mouser Electronics

Authorized Distributor

Click to View Pricing, Inventory, Delivery & Lifecycle Information:

[TE Connectivity:](#)

[330969](#) [2-330969-1](#)