

**PLEASE CHECK WWW.MOLEX.COM FOR LATEST PART INFORMATION**

**Part Number:** [0677818001](#)  
**Status:** **Active**  
**Description:** 2.50mm Pitch, SDIO Memory Card Connector, Normal-Mount, SMT, Unshielded, with Card Detect and Write Protect Switch, Lead-Free

**Documents:**

[3D Model](#) [Product Specification PS-67781-001 \(PDF\)](#)  
[Drawing \(PDF\)](#) [RoHS Certificate of Compliance \(PDF\)](#)

**General**

|                |                       |
|----------------|-----------------------|
| Product Family | Memory Card Sockets   |
| Series         | <a href="#">67781</a> |
| Component Type | Card Holder (Host)    |
| Product Name   | SDIO                  |
| Style          | Guide and Holder      |
| Type           | N/A                   |
| UPC            | 822348871322          |

**Physical**

|                                |                       |
|--------------------------------|-----------------------|
| Card Detection Switch          | Yes                   |
| Circuits (Loaded)              | 9                     |
| Circuits (maximum)             | 9                     |
| Durability (mating cycles max) | 10,000                |
| Ejector Button                 | No                    |
| Ejector Button Side            | N/A                   |
| Entry Angle                    | 90° Angle             |
| Keying to Mating Part          | N/A                   |
| Net Weight                     | 0.984/g               |
| PCB Locator                    | No                    |
| PCB Mounting Side              | Reverse               |
| PCB Retention                  | Yes                   |
| Packaging Type                 | Embossed Tape on Reel |
| Pitch - Mating Interface       | 1.63mm, 2.50mm        |
| Pitch - Termination Interface  | 1.63mm, 2.50mm        |
| Ports                          | 1                     |
| Surface Mount Compatible (SMC) | Yes                   |
| Temperature Range - Operating  | -25°C to +85°C        |

**Electrical**

|                               |         |
|-------------------------------|---------|
| Current - Maximum per Contact | 0.5A    |
| Shielded                      | No      |
| Voltage - Maximum             | 250V DC |
| Voltage Key                   | N/A     |

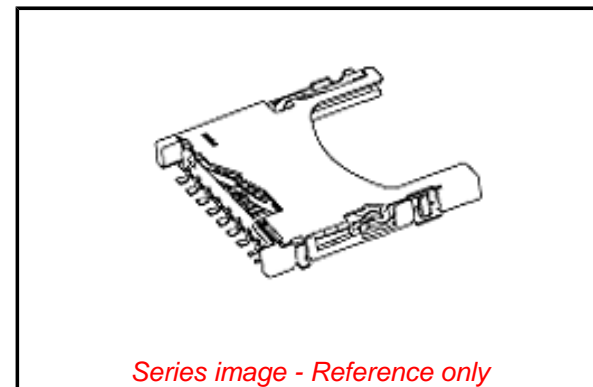
**Solder Process Data**

|  |        |
|--|--------|
| Duration at Max. Process Temperature (seconds) | 003    |
| Lead-freeProcess Capability                    | REFLOW |
| Max. Cycles at Max. Process Temperature        | 001    |
| Process Temperature max. C                     | 245    |

**Material Info**

**Reference - Drawing Numbers**

|                       |              |
|-----------------------|--------------|
| Product Specification | PS-67781-001 |
| Sales Drawing         | SD-67781-004 |



*Series image - Reference only*

**EU ELV**

**Not Relevant**

**EU RoHS**

**Compliant**

**REACH SVHC**

Contains SVHC(2014 December 17): No

**Halogen-Free**

**Status**

**Low-Halogen**

**Need more information on product environmental compliance?**

Email [productcompliance@molex.com](mailto:productcompliance@molex.com)  
Please visit the [Contact Us](#) section for any non-product compliance questions.

China ROHS

ELV

Green Image

Not Relevant

**Search Parts in this Series**

[67781](#) Series

**Use With**

SD Memory Cards

This document was generated on 06/24/2015

**PLEASE CHECK [WWW.MOLEX.COM](http://WWW.MOLEX.COM) FOR LATEST PART INFORMATION**

# Mouser Electronics

Authorized Distributor

Click to View Pricing, Inventory, Delivery & Lifecycle Information:

[Molex:](#)

[67781-8001](#)