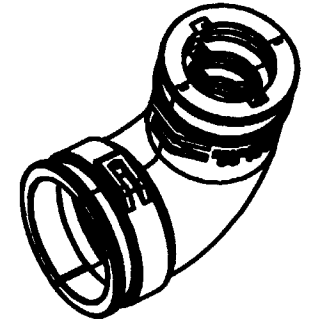
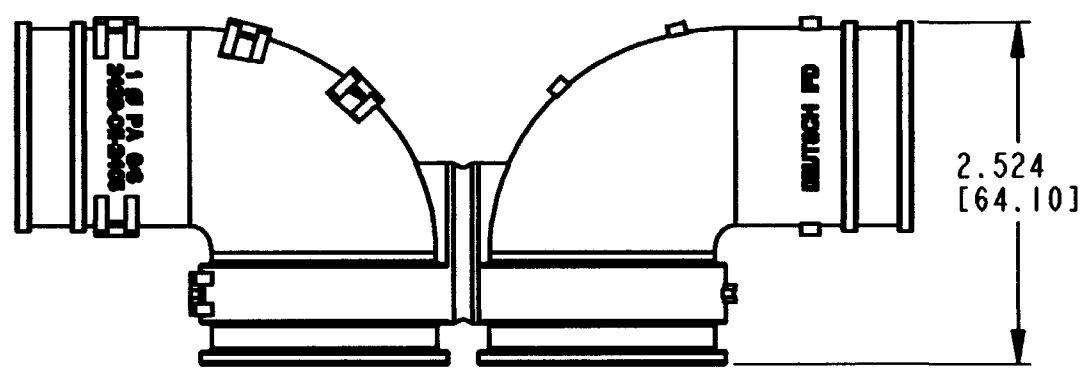
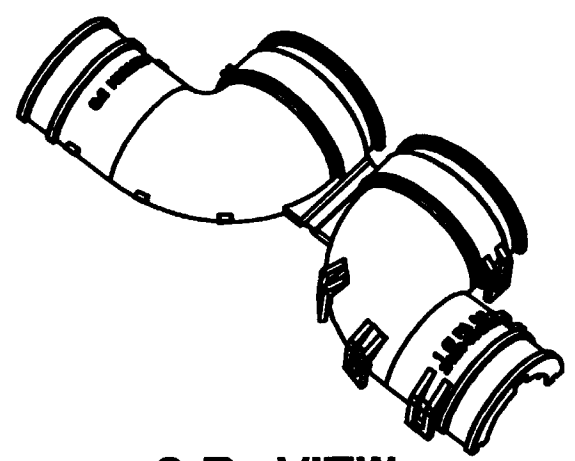
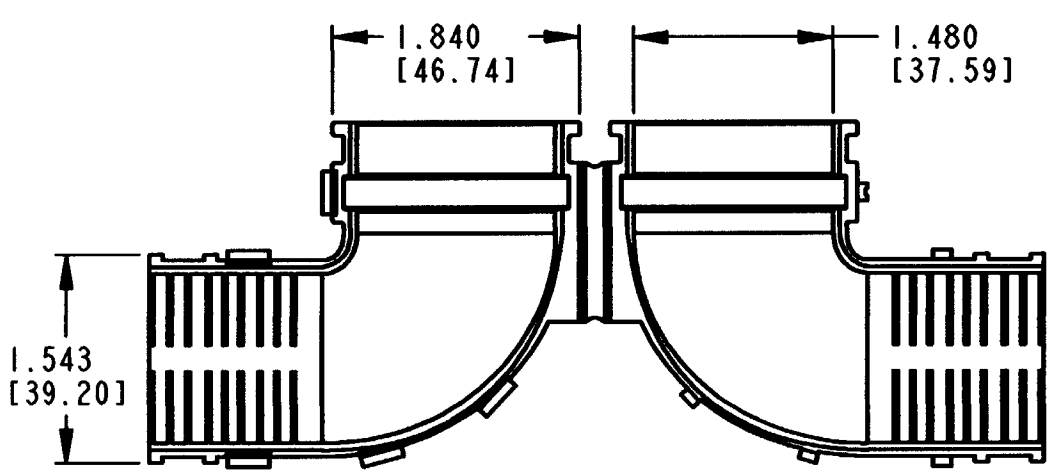
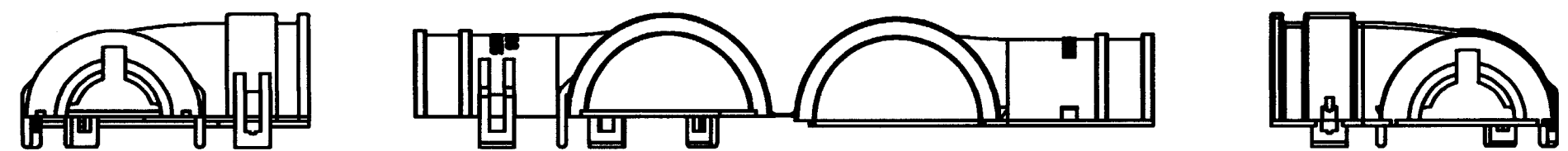


REV  
A 2428-011-2405

REVISIONS			
SYM	DESCRIPTION	DATE	APPROVED
NC	NEW RELEASE PER E.O. P18688	12/11/07	R.D.R.
A	REVISED PER E.O. P20010	10-1-08	RDR



3-D VIEW  
CLOSED



3-D VIEW  
OPEN

5. MATERIAL: PLASTIC; COLOR: BLACK
4. THIS PART IS MANUFACTURED BY DI-EU, GERMANY.
3. THIS PART ACCOMMODATES CORRUGATED TUBES SIZES NW 17, 19, AND 26.
2. THIS PART MATES WITH HDP24/26-24-\*P/S\*-L017.
- NOTES: 1. ALL DIMENSIONS ARE INCHES [MILLIMETERS] AND ARE ±.025[.63] UNLESS OTHERWISE SPECIFIED.

SIGNATURE & DATE	
DR	R. MESSENGER 10/20/04
CHK	James C. ... 9/30/08
PE	... 9/22/08
APPD	R. Reed 10-1-08
SCALE	NONE
WT	

RIGHT ANGLE BACK SHELL  
24 SIZE  
NW 17, 19, 26 TUBES  
HDP SERIES

ENVELOPE

EP	MATL. CODE
3850 INDUSTRIAL AVE. HEMET, CA 92545	
<b>B</b>	2428-011-2405
DWG SIZE	CODE 11139 SHEET 1 OF 1

# Mouser Electronics

Authorized Distributor

Click to View Pricing, Inventory, Delivery & Lifecycle Information:

[TE Connectivity:](#)

[2428-011-2405](#)