

( )

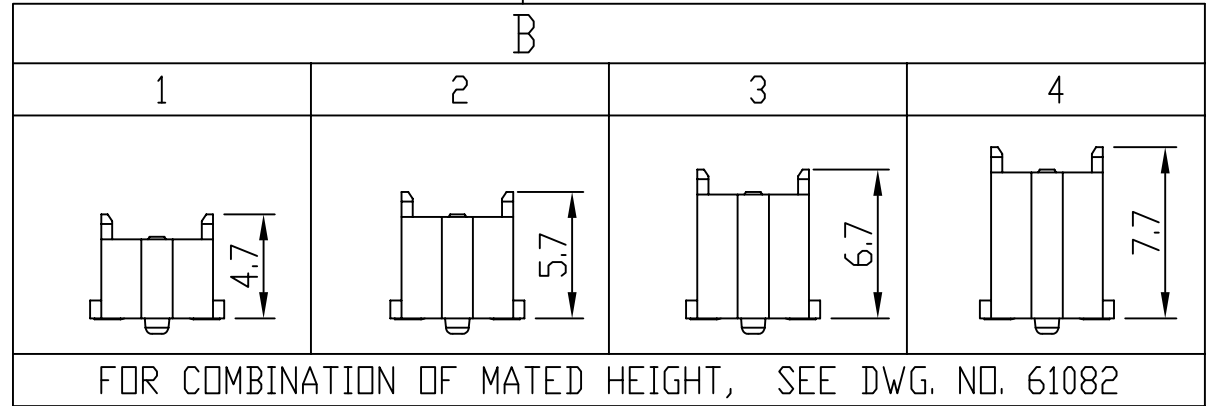
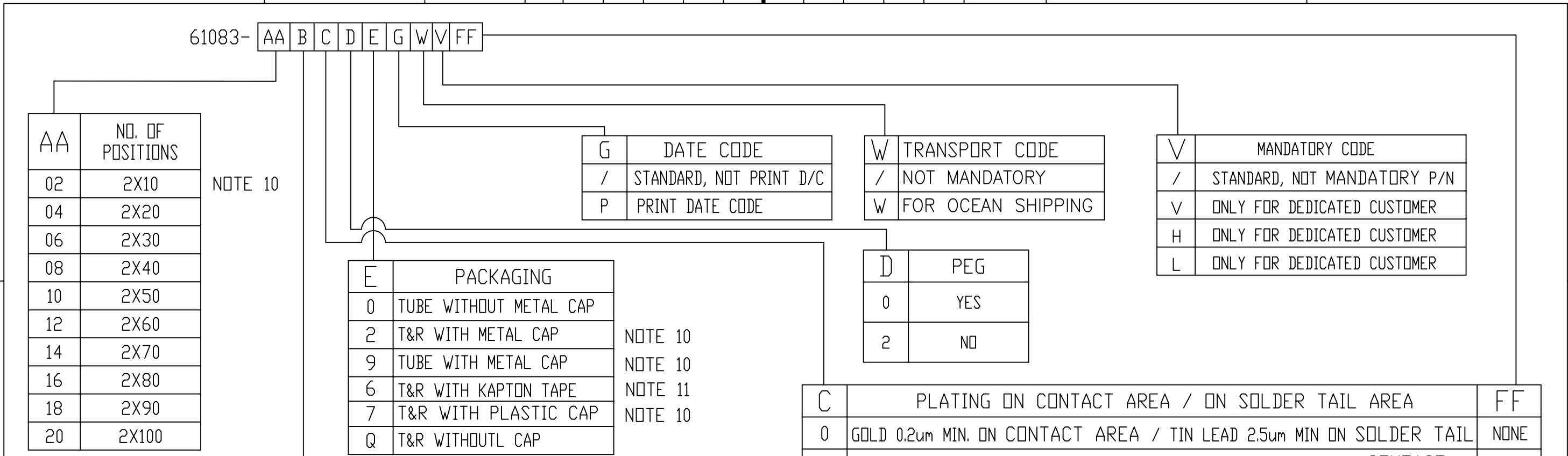
( )

( )

( )

© 2016 AFCI

Amphenol FCI



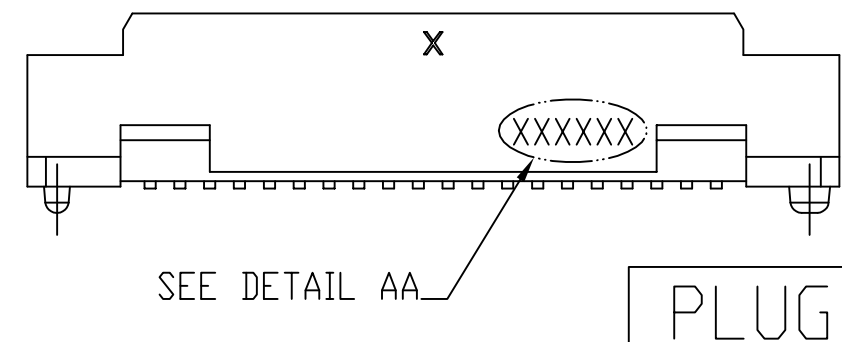
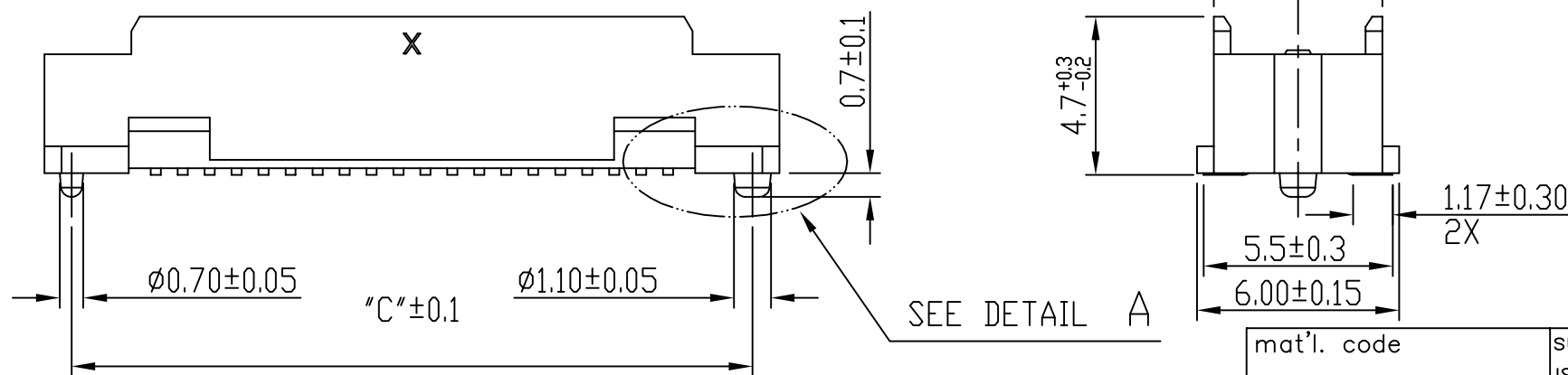
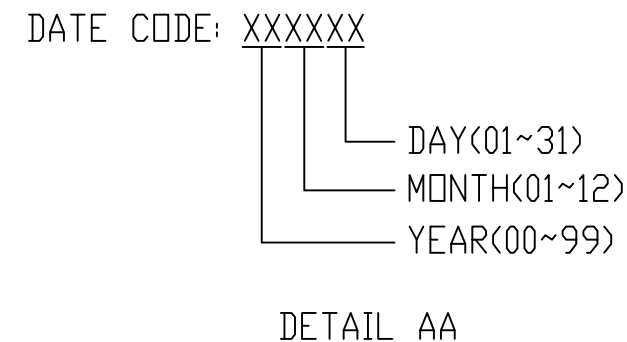
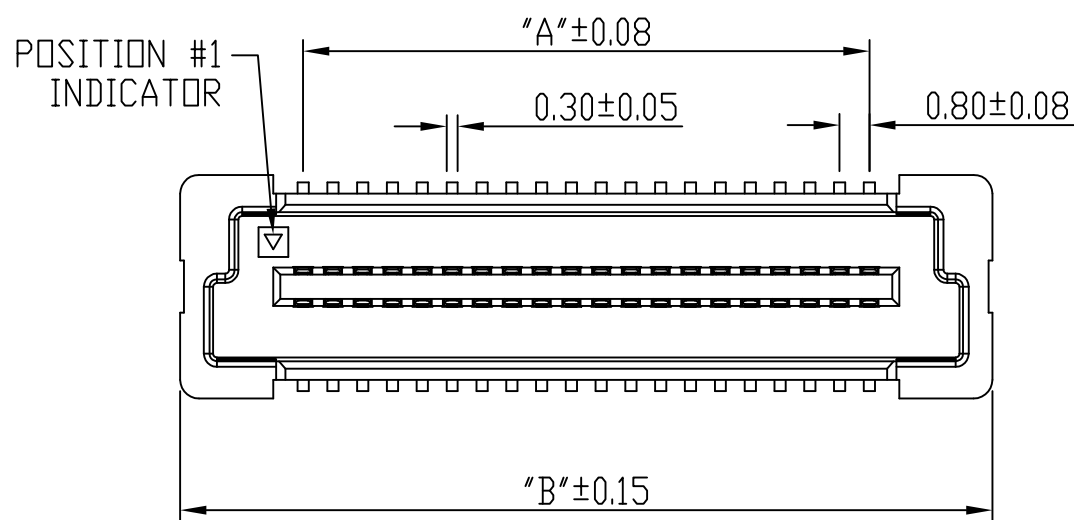
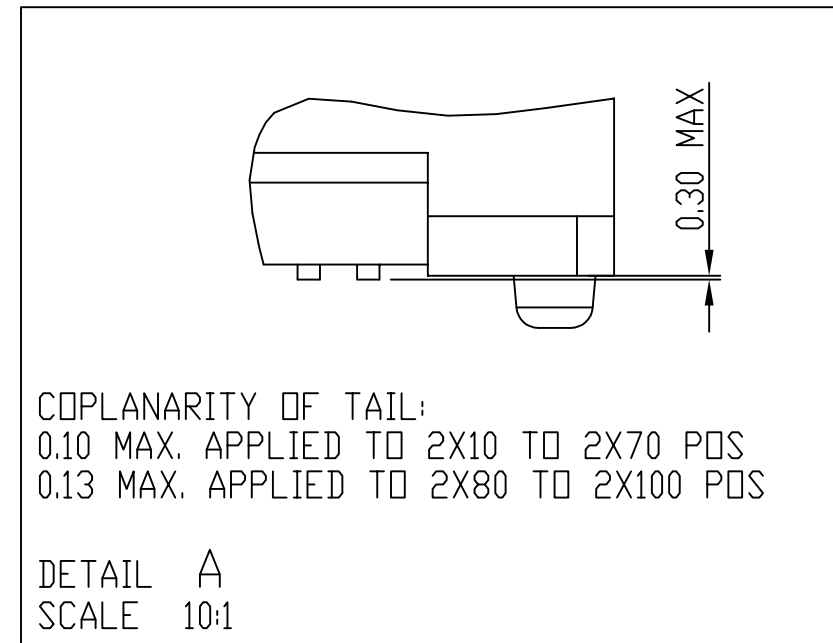
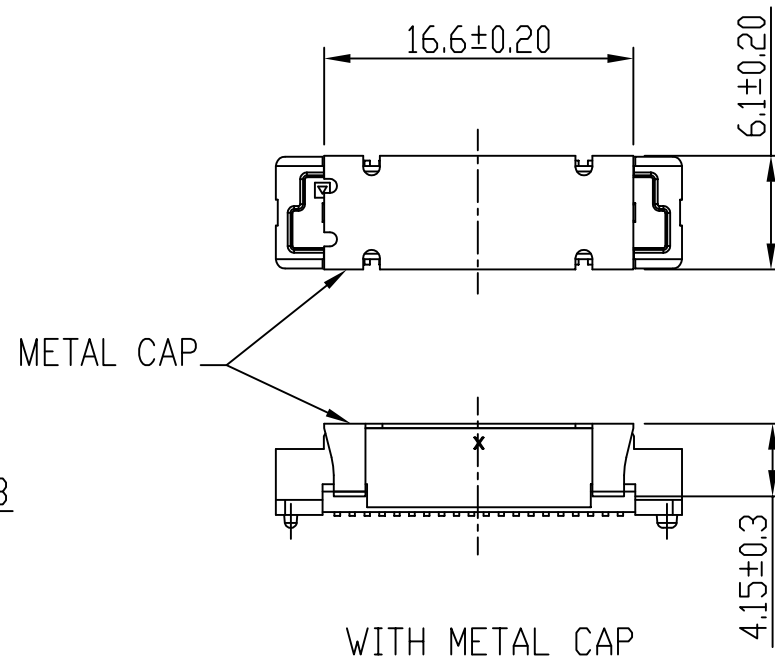
NOTE:

- MATERIAL:  
HOUSING: G.F. LCP, NATURAL, UL94-V0  
TERMINAL: BRASS
- PLATING: AS SHOWN IN TABLE. NICKEL UNDERPLATE OVERALL 1.27um MIN.
- SEE GS-12-547 FOR PRODUCT SPEC.
- PACKAGING OPTION 2: NOT ALL SIZES ARE AVAILABLE. CHECK WITH FACTORY.
- THIS PRODUCT MEETS THE EUROPEAN UNION DIRECTIVES AND OTHER COUNTRY REGULATIONS AS DESCRIBED IN GS-22-008.
- THE HOUSING WILL WITHSTAND EXPOSURE UP TO 260~ PEAK TEMPERATURE FOR 30 SECONDS IN A CONVECTION, INFRA-RED OR VAPOR PHASE REFLOW OVEN.
- PLATING OPTION "4" IS LEADFREE ALTERNATIVE FOR OPTION "0", AND OPTION "6" IS LEADFREE ALTERNATIVE FOR OPTION "1".
- HIGH PRECISION COPLANARITY IS AVAILABLE FOR 2X80 TO 2X100 POS, ALL HEIGHTS. PLS REFER TO PRINT 10069525.
- THE P/N 61083-\*\*\*\*\* OR 61083-\*\*\*\*\*LF NOT PRINT DATE CODE.  
THE P/N 61083-\*\*\*\*\*P OR 61083-\*\*\*\*\*PLF NEED PRINT DATE CODE.
- POSITION 2X10 TYPE ONLY APPLY TO PLUG 1 AND PLUG 3.  
PACKAGING WITH METAL CAP AND PLASTIC CAP DOES NOT APPLY TO 2X10 POSITION.
- KAPTON TAPE ONLY APPLY TO POSITION 2X10~2X20.

C	PLATING ON CONTACT AREA / ON SOLDER TAIL AREA	FF
0	GOLD 0.2um MIN. ON CONTACT AREA / TIN LEAD 2.5um MIN ON SOLDER TAIL	NONE
1	GOLD FLASH (0.065um MIN) OVER PALLADIUM-NICKEL 0.69um MIN ON CONTACT AREA / TIN LEAD 2.5um MIN ON SOLDER TAIL	NONE
4	GOLD 0.2um MIN ON CONTACT AREA / MATT TIN 2.5um MIN ON SOLDER TAIL	LF
5	GOLD 0.38um MIN ON CONTACT AREA / MATT TIN 2.5um MIN ON SOLDER TAIL	LF
6	GOLD FLASH 0.065um MIN OVER PALLADIUM-NICKEL 0.69um MIN ON CONTACT AREA / MATT TIN 2.5um MIN ON SOLDER TAIL	LF
7	GOLD 0.76um MIN ON CONTACT AREA / MATT TIN 2.5um MIN ON SOLDER TAIL	LF
9	GOLD 0.2um MIN ON CONTACT AREA / GOLD 0.05um MIN ON SOLDER TAIL	LF
B	GOLD 1.27um MIN ON CONTACT AREA / GOLD 0.05~0.25um ON SOLDER TAIL	LF
C	GOLD 1.27um MIN ON CONTACT AREA / MATT TIN 2.5um MIN ON SOLDER TAIL	LF
D	GOLD 0.38um MIN ON CONTACT AREA / GOLD FLASH ON SOLDER TAIL	LF

mat'l. code		surface ISO 1302 ✓		tolerance ISO 406 ISO 1101		projection 1101		product family BERGSTAK HPL545				
Itr		ecn no	dr	date		tolerances unless otherwise specified		title				
AP	ELX-N-33922	Bob		2019-07-05		.0±.2		PLUG ASSY				
AR	ELX-N-34967	Bob		2019-09-26		.00±.15		BERGSTAK 0.8MM				
AS	ELX-N-35593	Bob		2020-01-10		.000±.10		scale 1:1				
AT	ELX-N-37512	Bob		2020-06-28		0°±3'		Amphenol FCI				
				dr	GuoMin Sun	2014-10-21		dwg no				
				engr	Bob Gu	2020-06-28		sheet 1 of 6				
AM	ELX-N-30296	Bob		chr	LQ Lei	2020-06-28		size				
AN	ELX-N-30741	Bob		appd	Tim Yao	2020-06-28		61083				
sheet		revision		AL	AM	AN	AP	AR	AS	AT	type	
index		sheet		1~6	1~6	1	1	1	1	Product Customer Drawing		

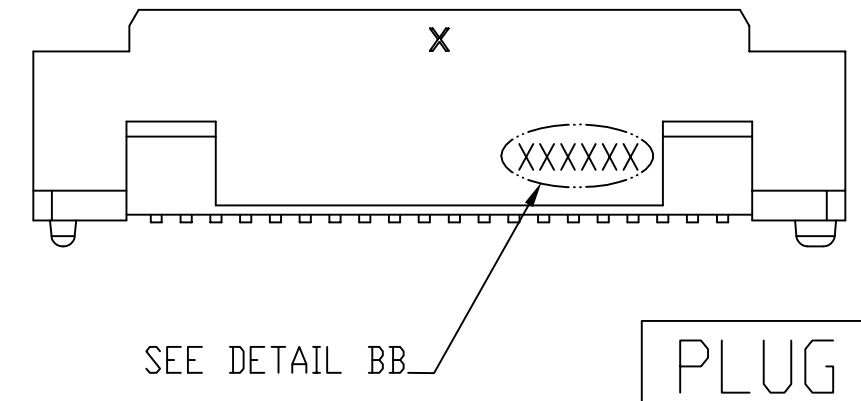
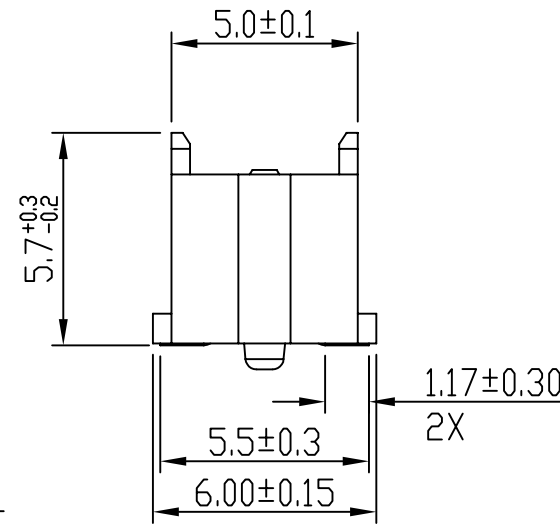
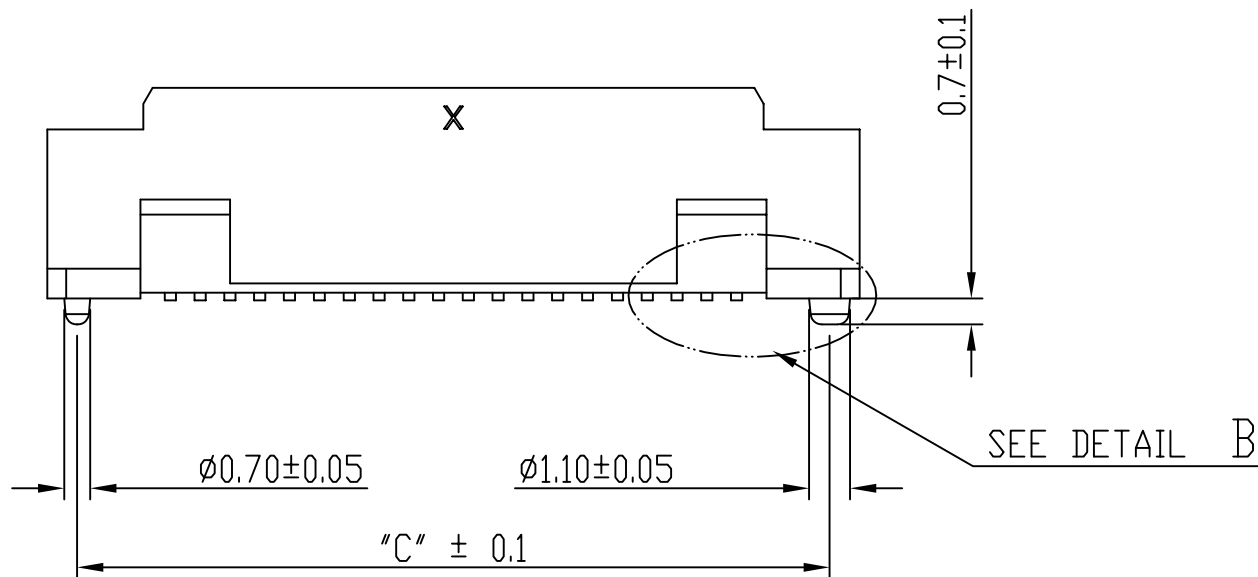
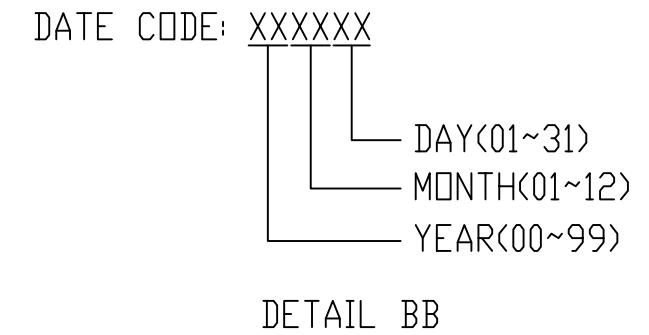
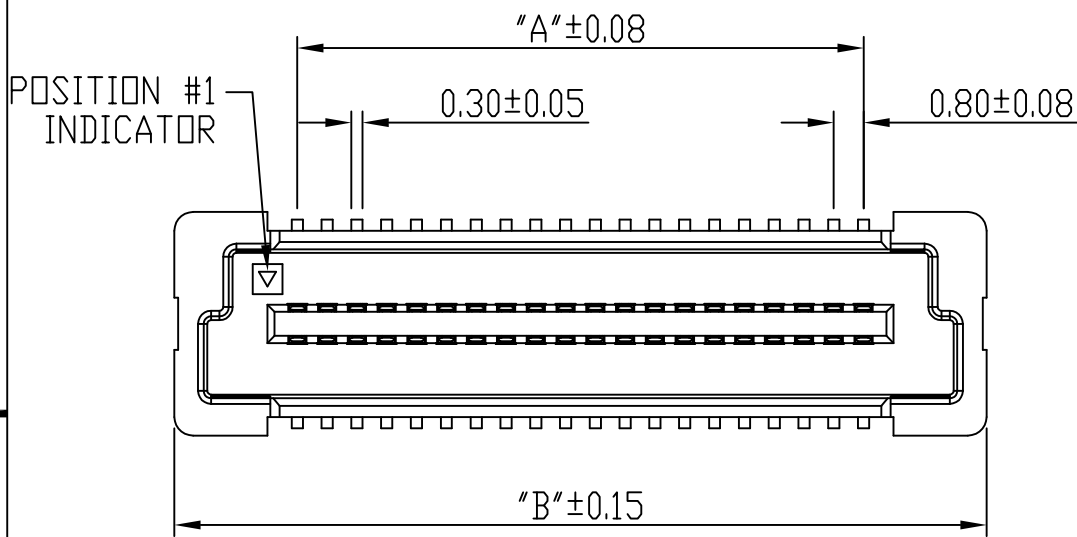
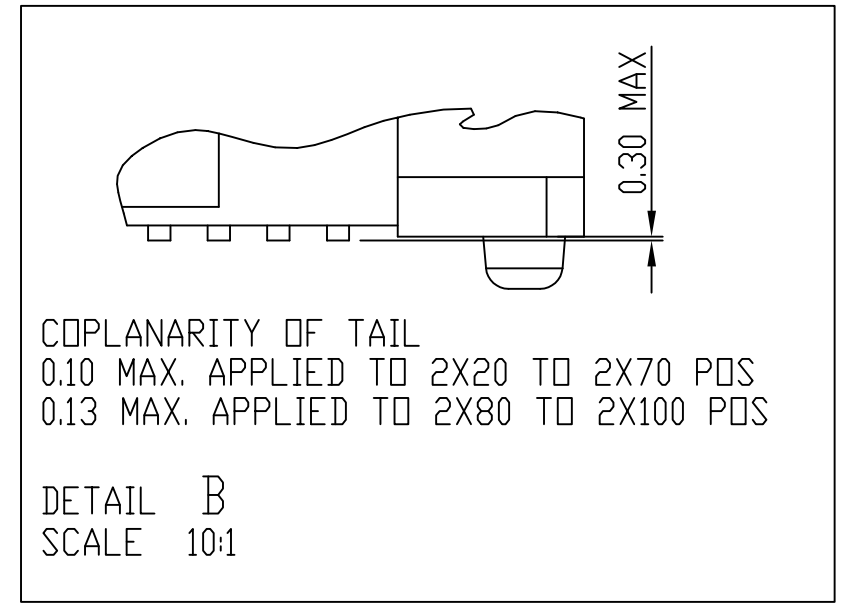
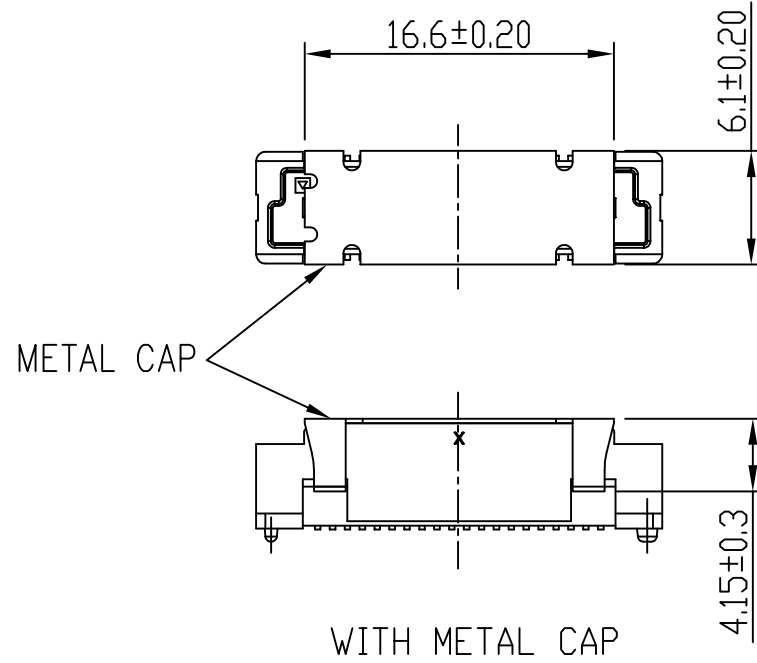
PRODUCT NO.	NO. OF POSITION	DIMENSION		
		A	B	C
61083-021***	2X10	7.2	13.8	12.2
61083-041***	2X20	15.2	21.8	20.2
61083-061***	2X30	23.2	29.8	28.2
61083-081***	2X40	31.2	37.8	36.2
61083-101***	2X50	39.2	45.8	44.2
61083-121***	2X60	47.2	53.8	52.2
61083-141***	2X70	55.2	61.8	60.2
61083-161***	2X80	63.2	69.8	68.2
61083-181***	2X90	71.2	77.8	76.2
61083-201***	2X100	79.2	85.8	84.2



mat'l. code		surface ISO 1302 ✓		tolerance ISO 406 ISO 1101		projection 1101		product family BERGSTAK HPL545	
ltr		ecn no		dr		date		title	
AT								PLUG ASSY BERGSTAK 0.8MM	
								dwg no 61083	
								sheet 2 of 6	
								size A3	
								type Product Customer Drawing	
sheet index		revision		AT					
sheet 1									

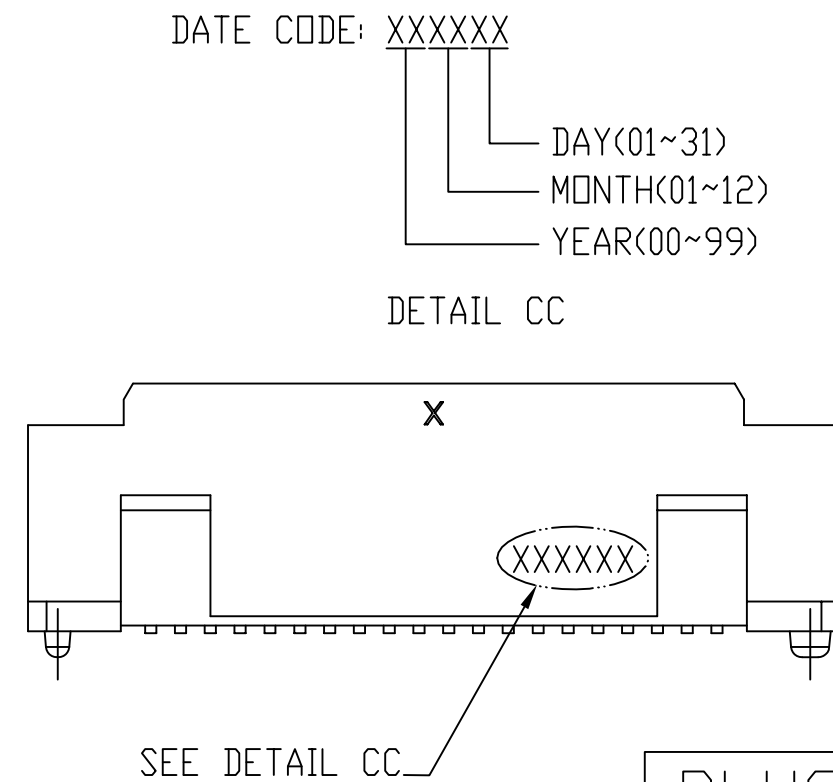
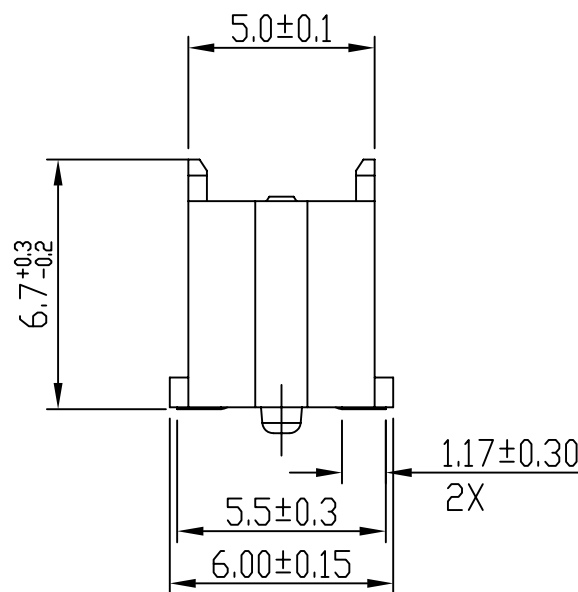
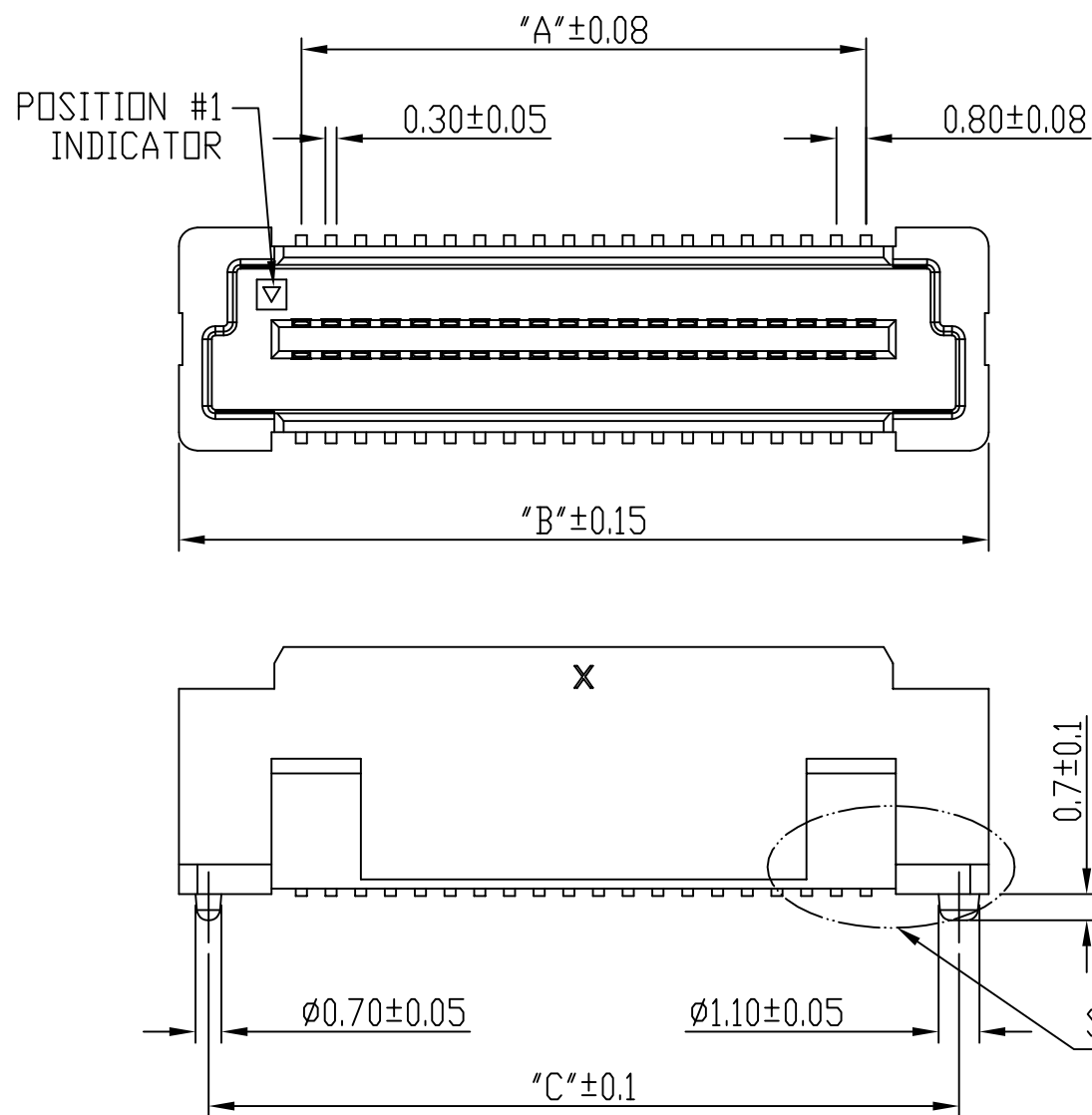
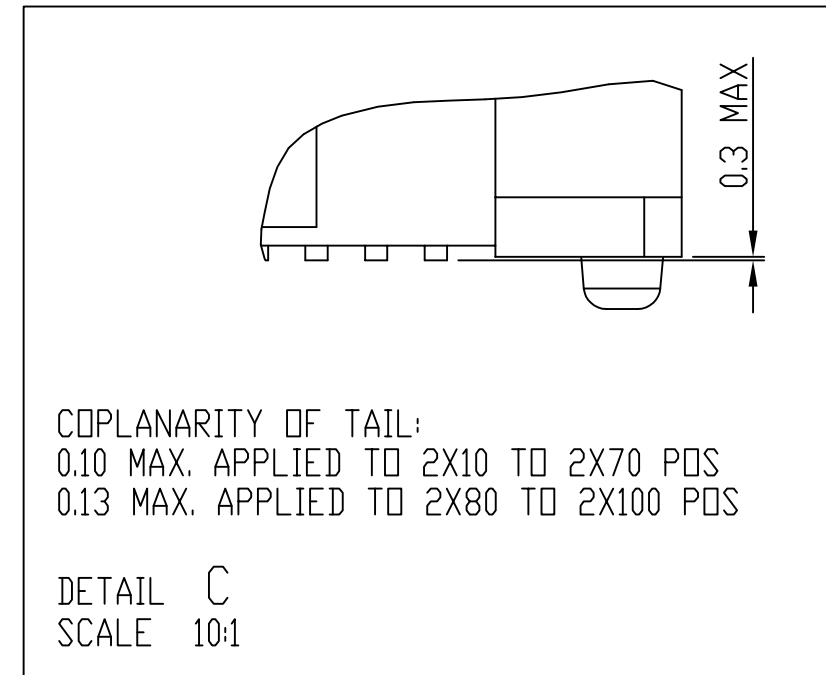
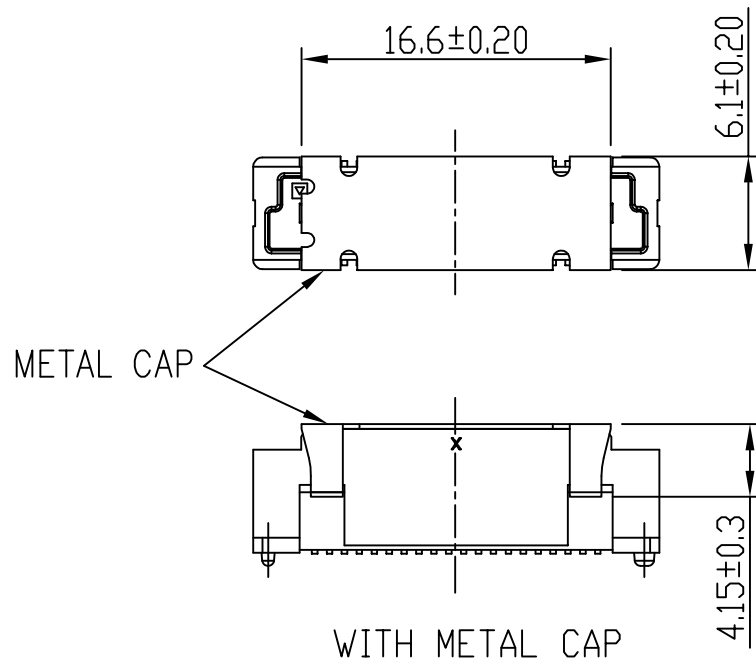
© 2016 AFCI  
 Amphenol FCI

PRODUCT NO.	NO. OF POSITION	DIMENSION		
		A	B	C
61083-042***	2X20	15.2	21.8	20.2
61083-062***	2X30	23.2	29.8	28.2
61083-082***	2X40	31.2	37.8	36.2
61083-102***	2X50	39.2	45.8	44.2
61083-122***	2X60	47.2	53.8	52.2
61083-142***	2X70	55.2	61.8	60.2
61083-162***	2X80	63.2	69.8	68.2
61083-182***	2X90	71.2	77.8	76.2
61083-202***	2X100	79.2	85.8	84.2



mat'l. code		surface ISO 1302 ✓		tolerance ISO 406 ISO 1101		projection 1101		product family BERGSTAK HPL545	
ltr		ecn no		dr		date		title	
AT								PLUG ASSY BERGSTAK 0.8MM	
								tolerances unless otherwise specified	
								mm	
								scale 1:1	
								dwg no 61083	
								sheet 3 of 6	
								size A3	
								type Product Customer Drawing	
sheet index		revision sheet		AT		1			

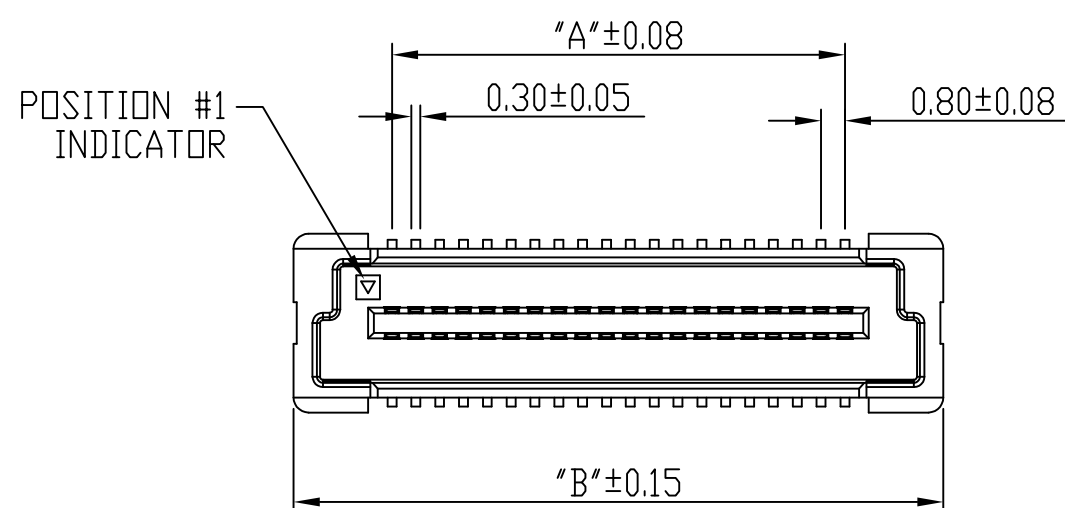
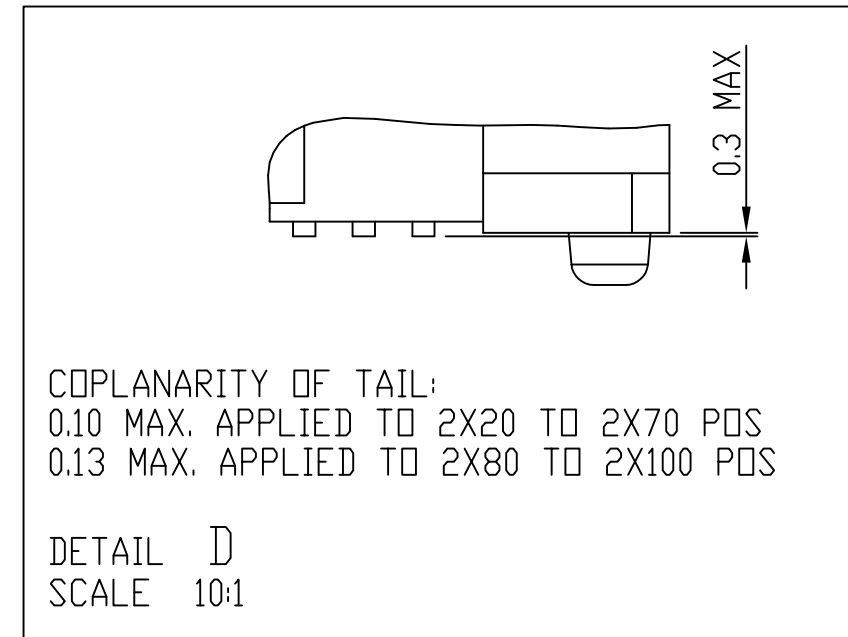
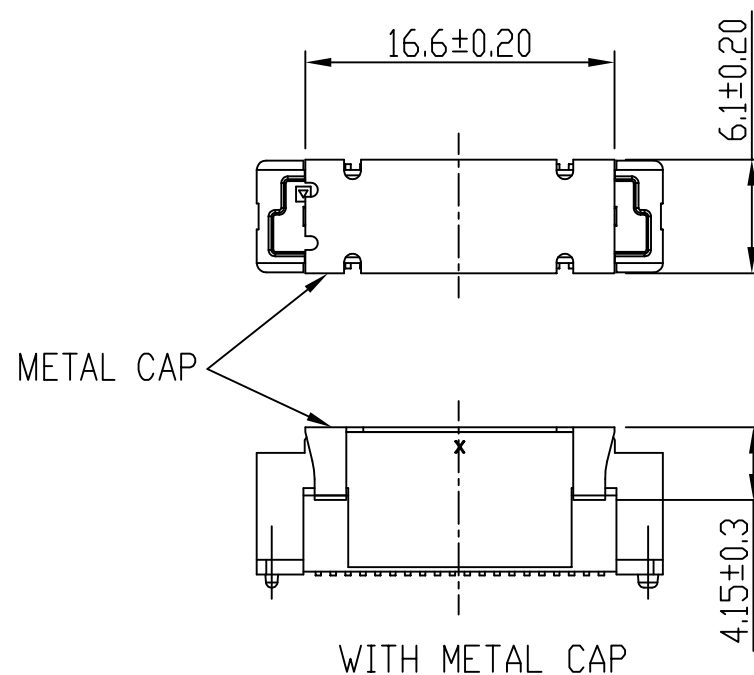
PRODUCT NO.	NO. OF POSITION	DIMENSION		
		A	B	C
61083-023***	2X10	7.2	13.8	12.2
61083-043***	2X20	15.2	21.8	20.2
61083-063***	2X30	23.2	29.8	28.2
61083-083***	2X40	31.2	37.8	36.2
61083-103***	2X50	39.2	45.8	44.2
61083-123***	2X60	47.2	53.8	52.2
61083-143***	2X70	55.2	61.8	60.2
61083-163***	2X80	63.2	69.8	68.2
61083-183***	2X90	71.2	77.8	76.2
61083-203***	2X100	79.2	85.8	84.2



PLUG 3

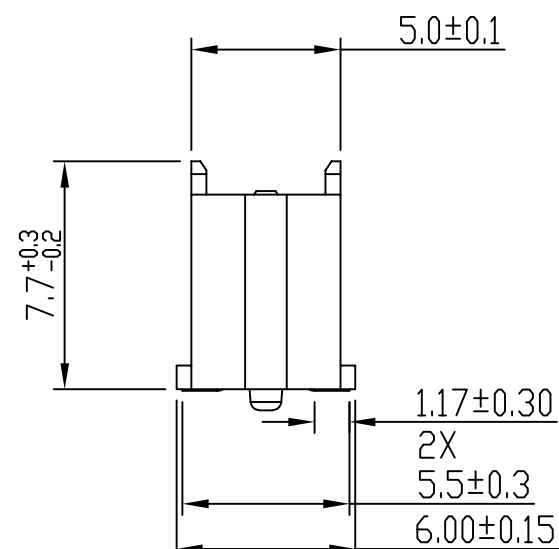
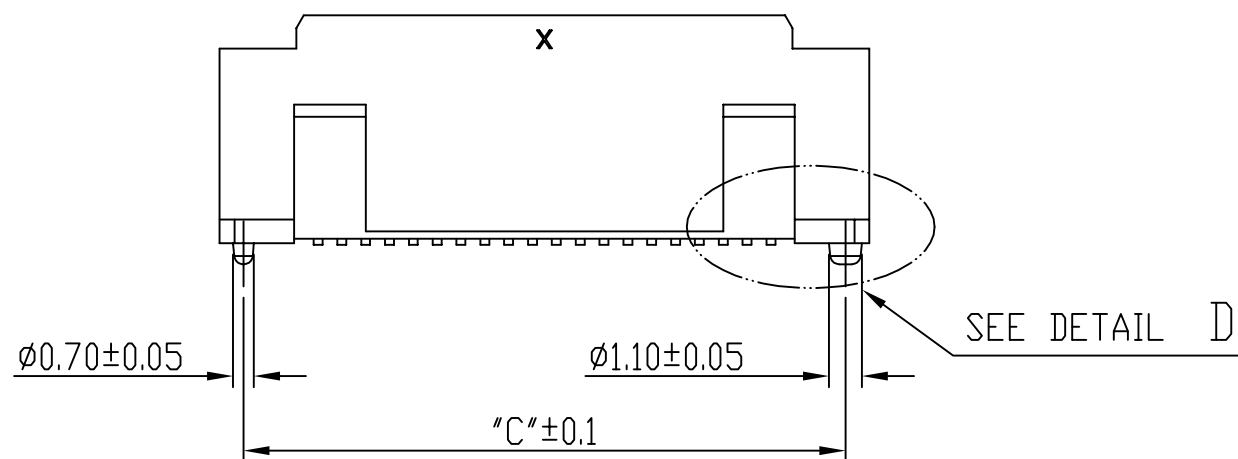
mat'l. code		surface ISO 1302 ✓		tolerance ISO 406 ISO 1101		projection 1101		product family BERGSTAK HPL545	
ltr		ecn no		dr		date		title	
AT								PLUG ASSY BERGSTAK 0.8MM	
								dwg no 61083	
								sheet 4 of 6	
								size A3	
								type Product Customer Drawing	
sheet index		revision		AT					
		sheet		1					

PRODUCT NO.	NO. OF POSITION	DIMENSION		
		A	B	C
61083-044***	2X20	15.2	21.8	20.2
61083-064***	2X30	23.2	29.8	28.2
61083-084***	2X40	31.2	37.8	36.2
61083-104***	2X50	39.2	45.8	44.2
61083-124***	2X60	47.2	53.8	52.2
61083-144***	2X70	55.2	61.8	60.2
61083-164***	2X80	63.2	69.8	68.2
61083-184***	2X90	71.2	77.8	76.2
61083-204***	2X100	79.2	85.8	84.2



DATE CODE: XXXXXX  
 DAY(01~31)  
 MONTH(01~12)  
 YEAR(00~99)

DETAIL DD

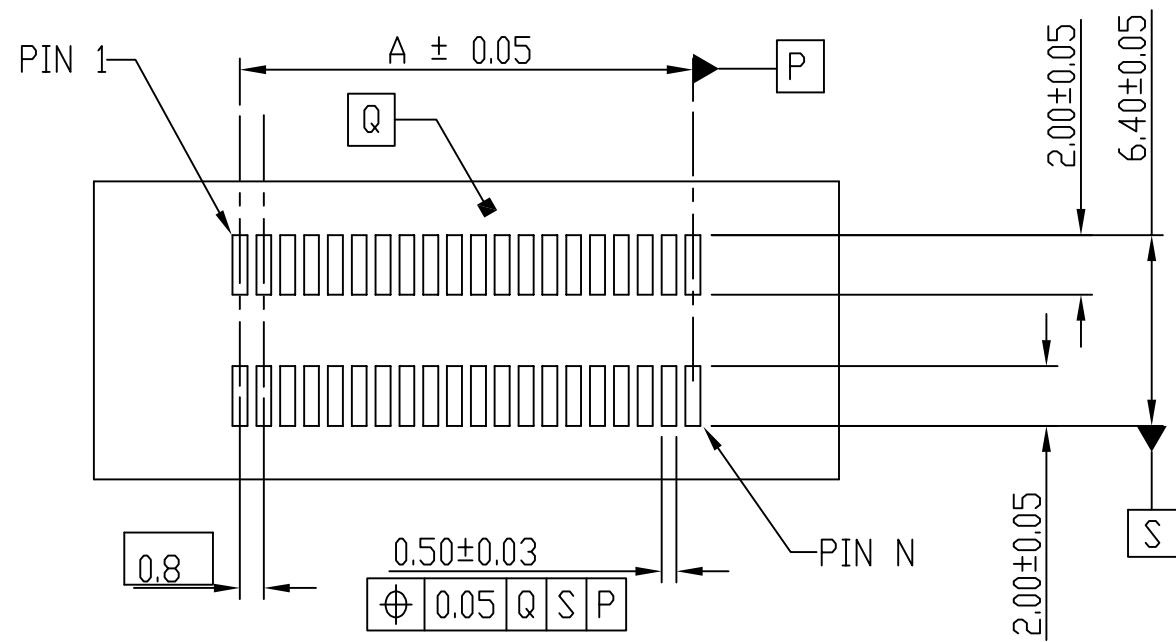


SEE DETAIL DD

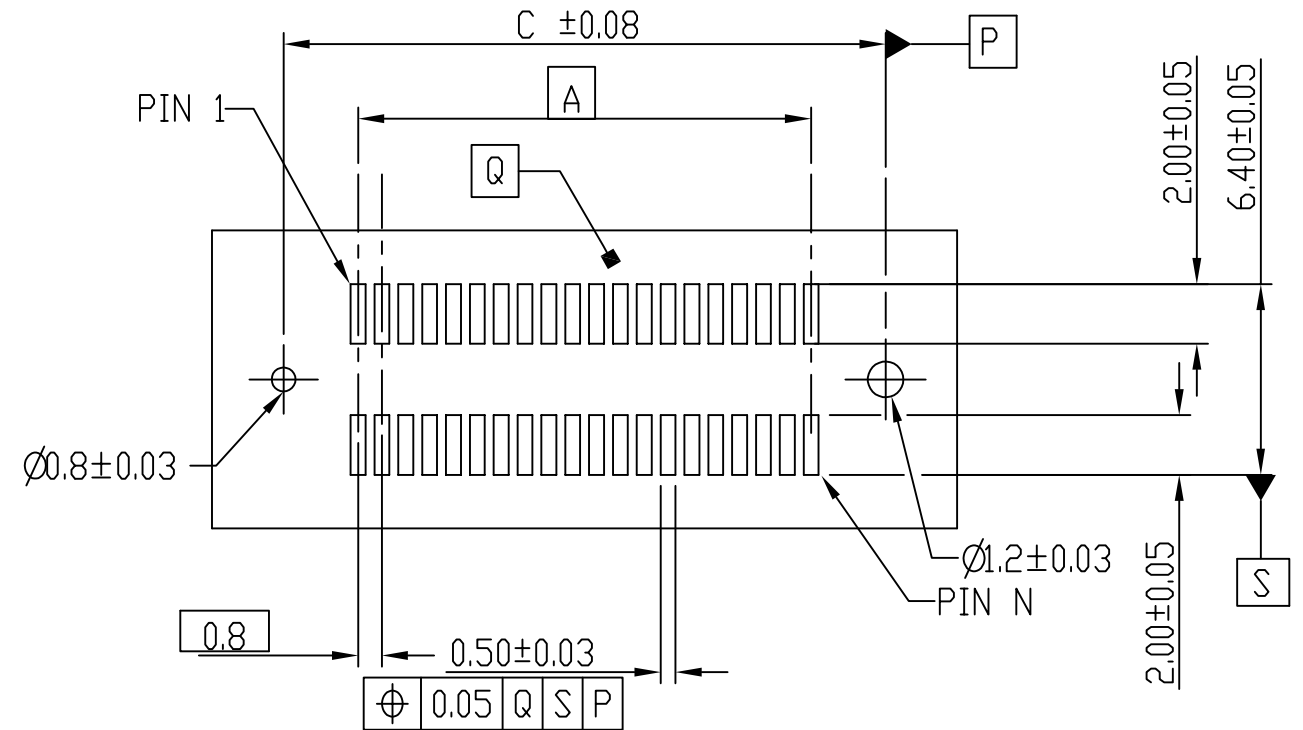
PLUG 4

mat'l. code		surface ISO 1302 ✓		tolerance ISO 406 ISO 1101		projection 1101		product family BERGSTAK HPL545	
ltr		ecn no		dr		date		title	
AT								PLUG ASSY BERGSTAK 0.8MM	
				angles linear		.0±.2		mm	
				0°±3'		.00±.15		scale 1:1	
						.000±.10			
		dr		GuoMin Sun		2014-10-21		dwg no	
		engr		Bob Gu		2020-06-28		sheet 5 of 6	
		chr		LQ Lei		2020-06-28		size	
		appd		Tim Yao		2020-06-28		A3	
sheet index		revision		AT				type	
sheet		1						Product Customer Drawing	

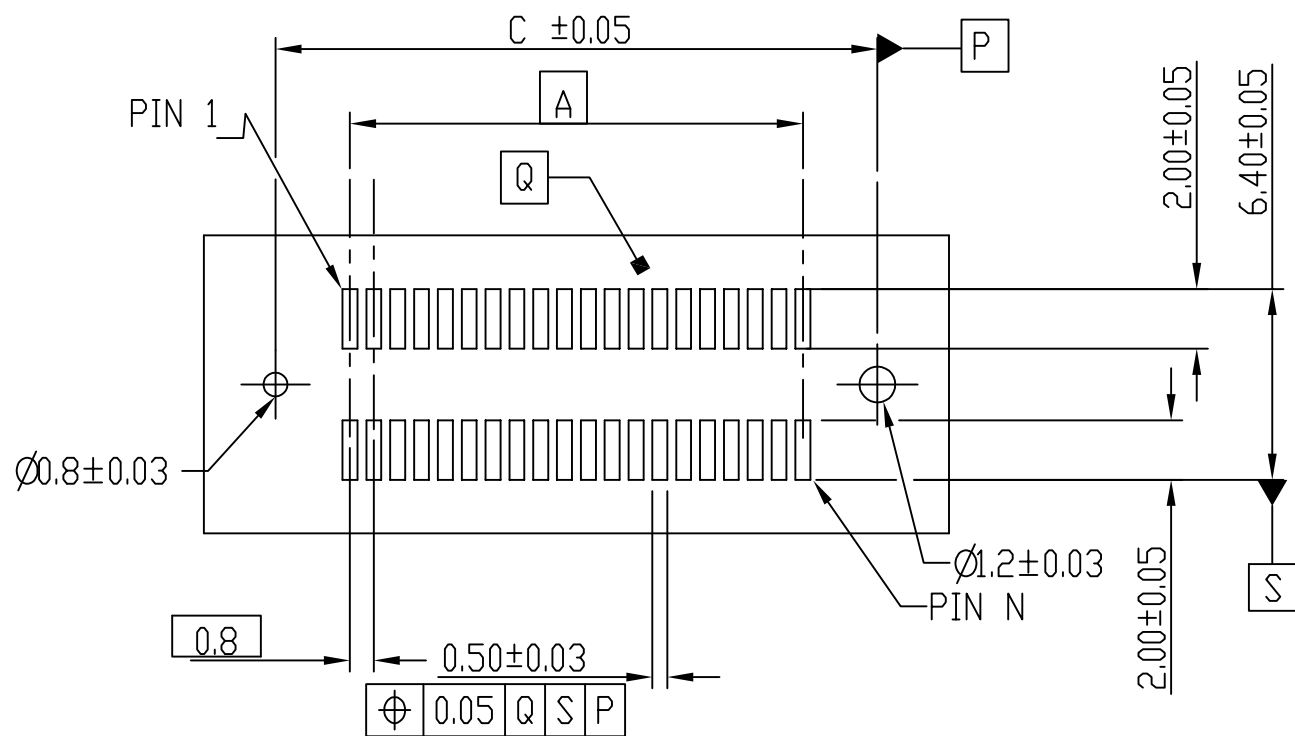
FOR PLUG 1/2/3/4



RECOMMENDED PCB LAYOUT WITHOUT PEG FOR  
NO. OF POS 2X10, 2X20, 2X30, 2X40, 2X50 2X60



RECOMMENDED PCB LAYOUT WITH PEG FOR  
NO. OF POS 2X70, 2X80, 2X90, 2X100



RECOMMENDED PCB LAYOUT WITH PEG FOR  
NO. OF POS 2X10, 2X20, 2X30, 2X40, 2X50 2X60

mat'l. code		surface ISO 1302 ✓		tolerance ISO 406 ISO 1101		projection		product family	
ltr		ecn no		dr		date		BERGSTAK HPL545	
AT								title	
								PLUG ASSY	
								BERGSTAK 0.8MM	
								dwg no	
								sheet 6 of 6	
								size	
								A3	
								type	
								Product Customer Drawing	
sheet index		revision		AT					
sheet		1							

# Mouser Electronics

Authorized Distributor

Click to View Pricing, Inventory, Delivery & Lifecycle Information:

[FCI / Amphenol:](#)

[61083-202100](#) [61083-062020](#) [61083-081042](#) [61083-122706LF](#) [61083-161502LF](#) [61083-164502LF](#)