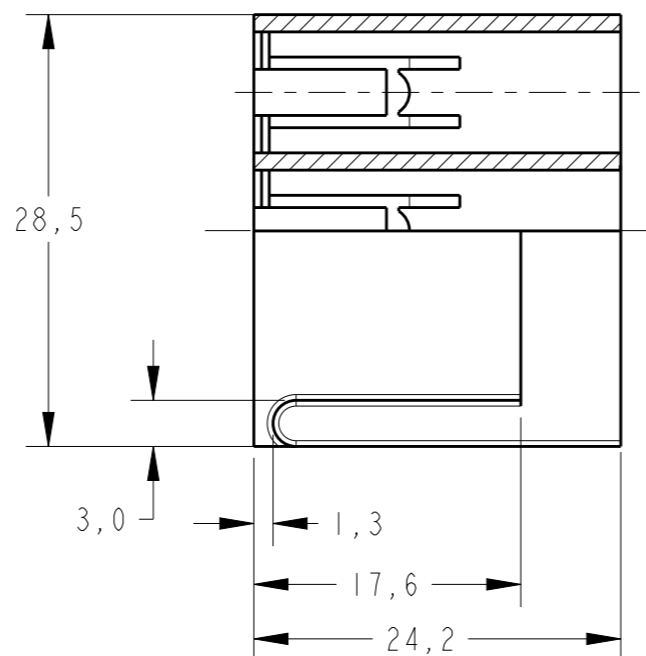
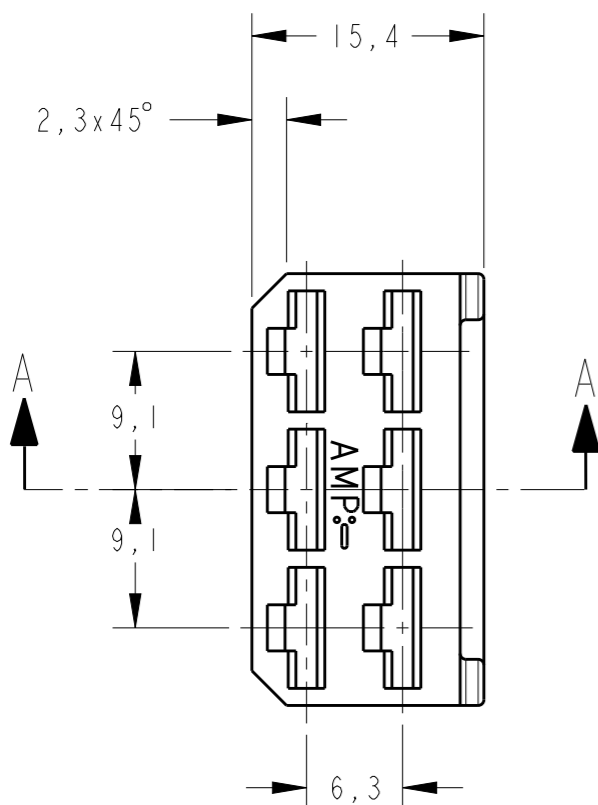


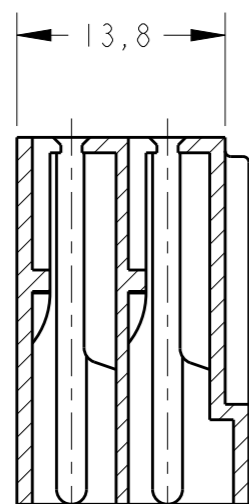
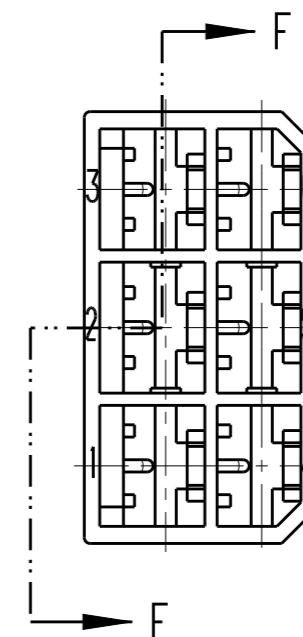
**creo**  
 Creo Parametric 2.0  
**DO NOT REVISE**  
**EXCEPT BY CAD**

REVISIONS

P	LTR	DESCRIPTION	DATE	DWN	APVD
		REVISED BY ECO-08-013026	28MAY2008	NCL	LWP
F4		REVISED BY ECO 16-005810	15APR2016	HC	WLS



CORTE SECTION F - F



CORTE SECTION A - A

1-INTERCAMBIÁVEL COM PN. 280314

1-INTERCHANGEABLE WITH PN. 280314.

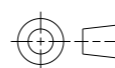
~~2~~ ~~MATÉRIA PRIMA CONFORME ESPECIFICAÇÃO IEC 60335-1, GWT 750°C, SEM CHAMA.~~  
~~RAW MATERIAL ACC. TO SPEC. IEC 60335-1, GWT 750°C, WITHOUT FLAME.~~

OBSOLETE

CINZA / GRAY	PA 6.6	880297-3
PRETO / BLACK	PA 6.6	880297-2
NATURAL	<del>2</del> PA 6.6 V 0	2 880297 0
NATURAL	PA 6.6	880297-1
FINISH	MATERIAL	PART NUMBER

THIS DRAWING IS A CONTROLLED DOCUMENT.

DIMENSIONS:  
mm



TOLERANCES UNLESS OTHERWISE SPECIFIED:

0 PLC	±-
1 PLC	±0,3
2 PLC	±-
3 PLC	±-
4 PLC	±-
ANGLES	±1°

MATERIAL  
SEE TABLE

FINISH  
SEE TABLE

DWN M.R.BRIZ 01APR2004  
 CHK P.L.FARIA 01APR2004  
 APVD L.W.PRADO 01APR2004

NAME  
 -  
 6 WAY .250 FASTIN-ON REC. HSG.

SIZE	CAGE CODE	DRAWING NO	RESTRICTED TO
A3	-	880297	-

Customer Drawing SCALE 2:1 SHEET 1 OF 1 REV F4

**STE** TE Connectivity

# Mouser Electronics

Authorized Distributor

Click to View Pricing, Inventory, Delivery & Lifecycle Information:

[TE Connectivity:](#)

[880297-1](#)